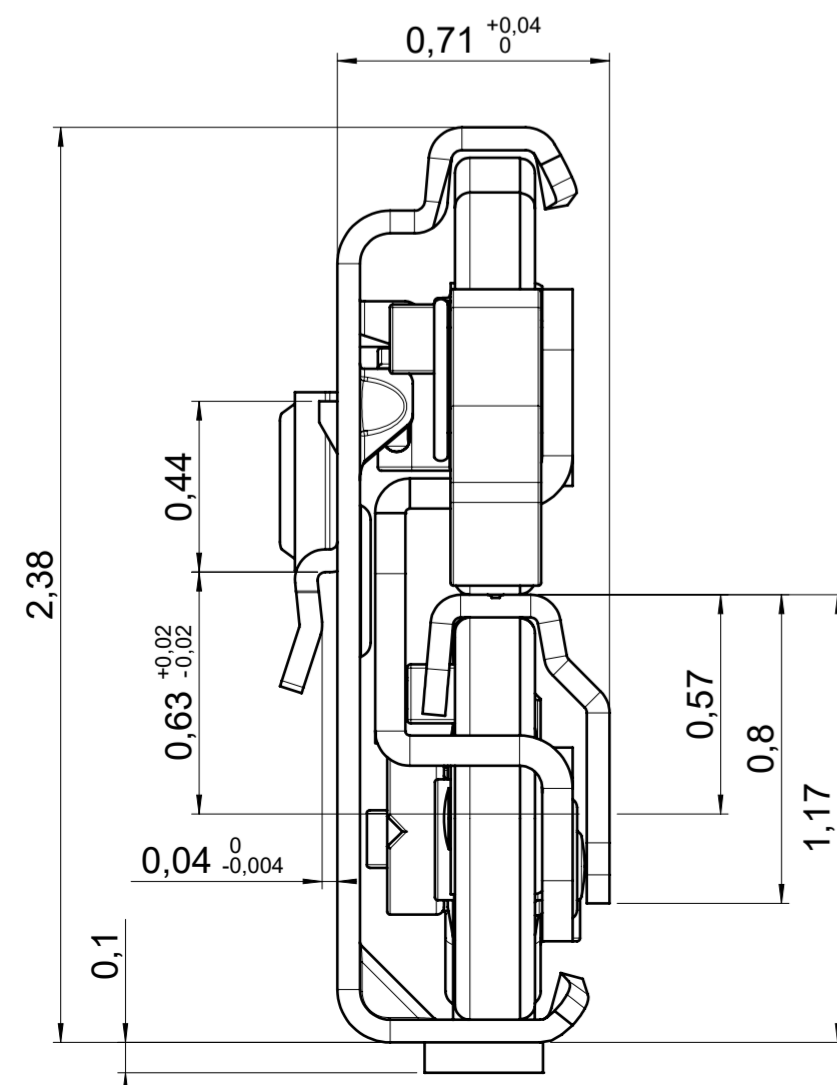
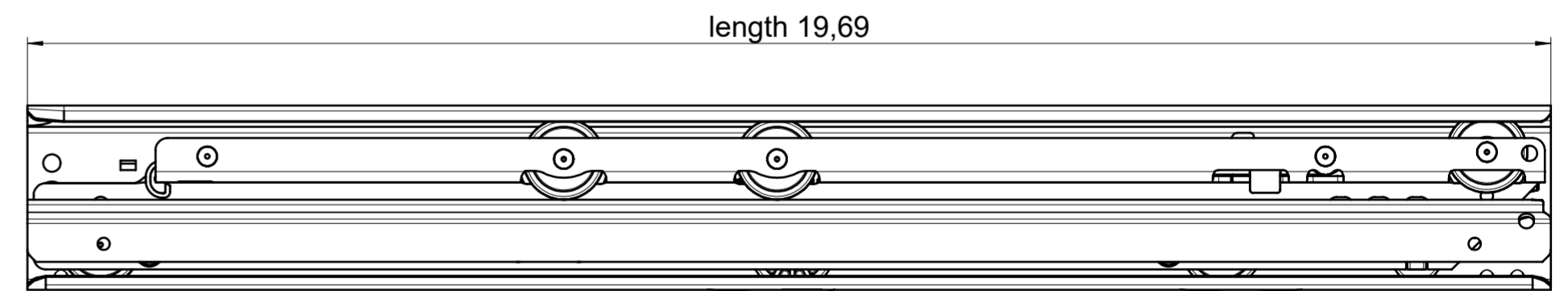
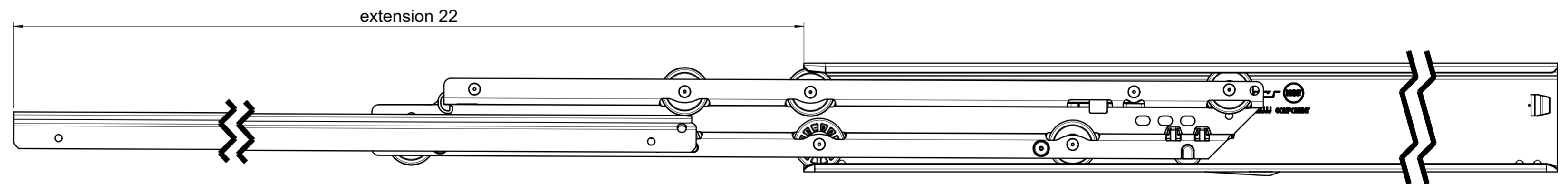
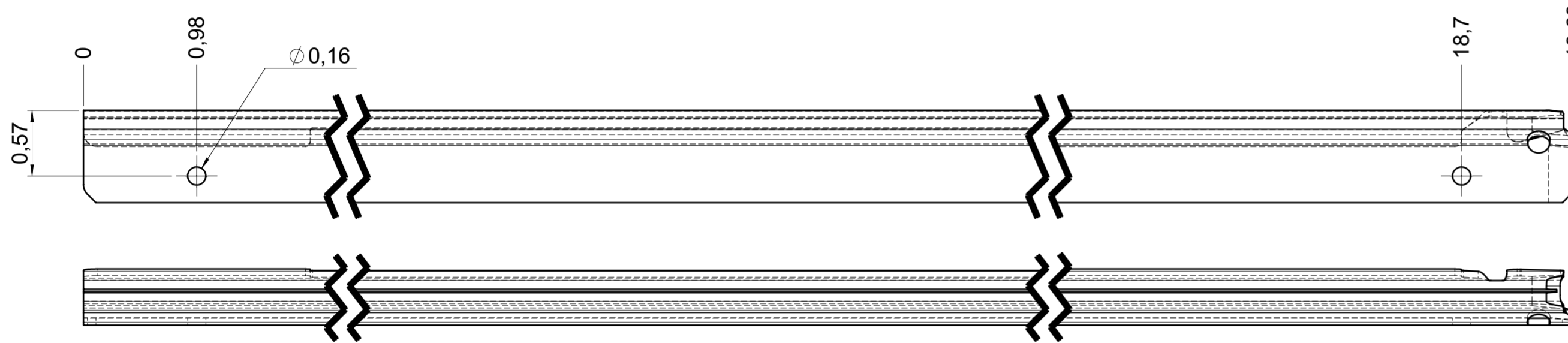
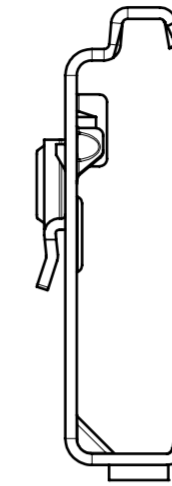
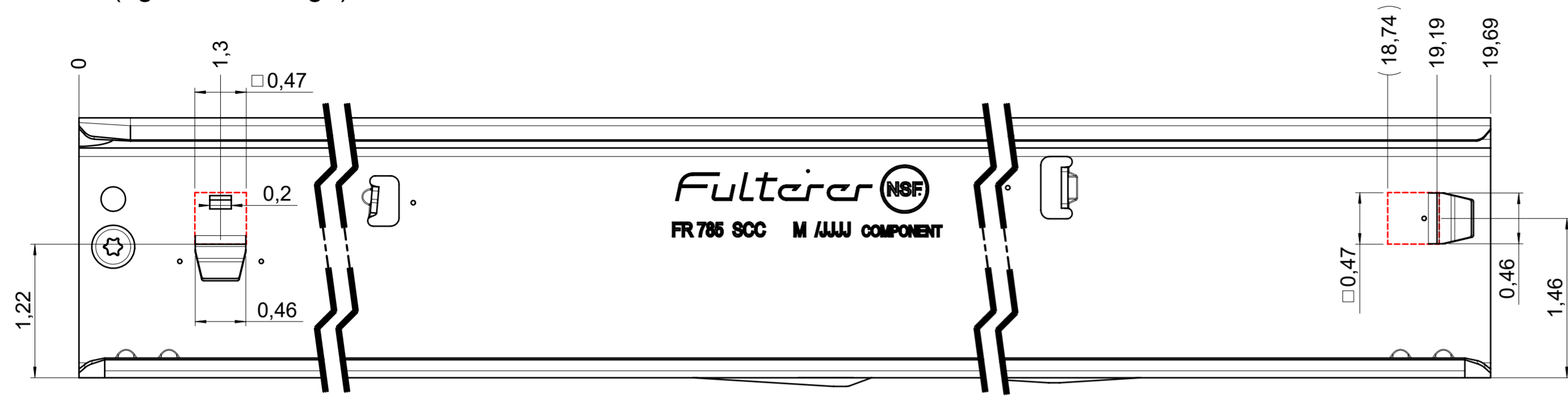


drawn left (right mirrorimage)



final approval

customer name:

signed by:

date:

all dimensions in inch

DIN ISO 128-30
missing dimensions see 3D
= theor. intersection

This drawing remains our property and may not be multiplied neither be disclosed to third parties (§§1,3 and 5 from the copyright Act (UrhG)) covered according to DIN ISO 16016				scale: 1:1	surface:	material, semi finished parts: CS (technical requirements Fulterer)	A2
(k)				drawn	date	name	description: FR 790 / 50 CS EN (inch) progressive-action over-extension drawerslide / side mount
(l)				proven	02-01-2023	pr	
(h)				Fulterer			drawing number: CS# 790.500-GA.L121
(g)							
(f)				Fulterer AG & Co KG A-6890 Lustenau / Austria			replaces version date:
(e)				Fulterer AG CH-9430 St. Margrethen			
(d)				changes	date	na.	
(c)							
(b)							
(a)							
ind.							