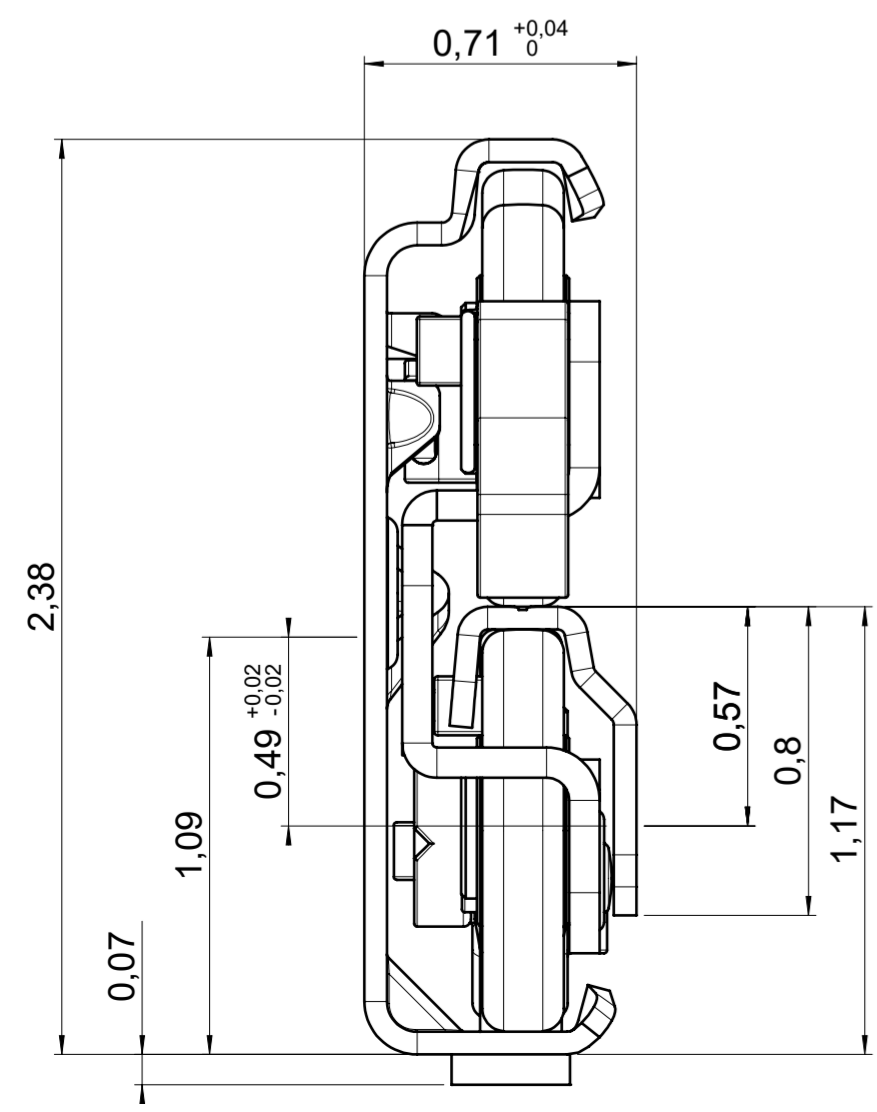
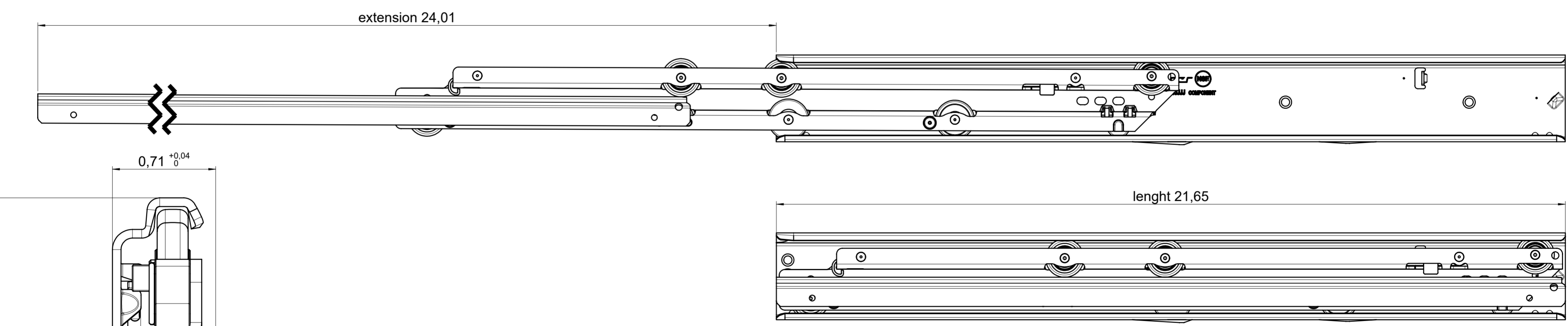
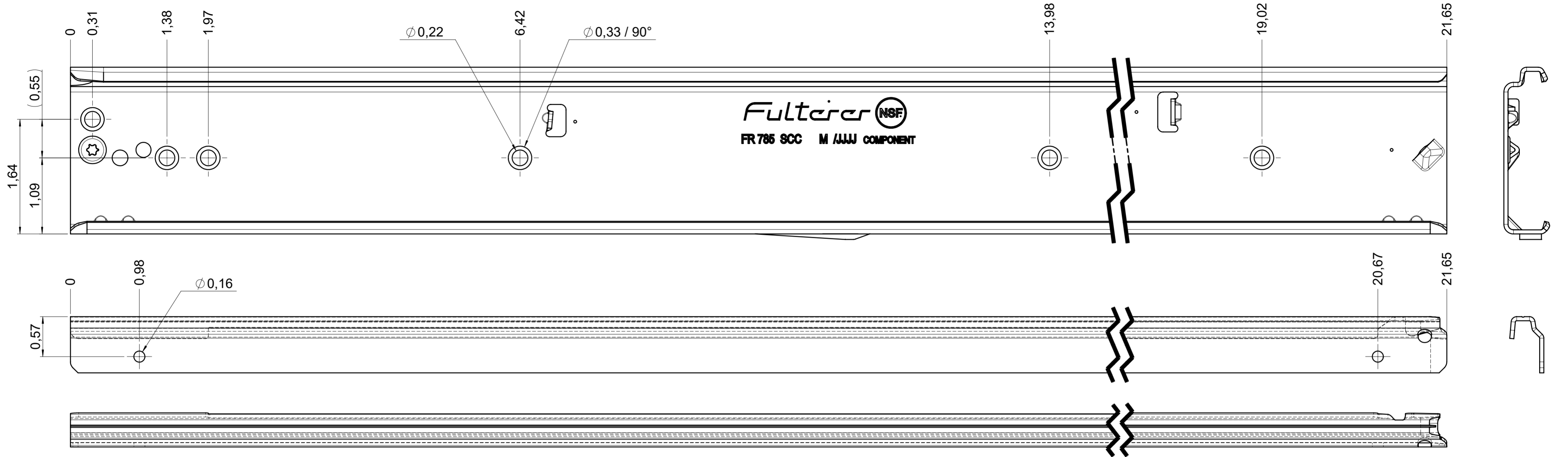


drawn left (right mirrorimage)



**version  
"heat-resistant 110°C"**

**final approval**  
customer name:  
signed by:  
date:

<b>all dimensions in inch</b>			DIN ISO 128-30 missing dimensions see 3D = theor. intersection	
This drawing remains our property and may not be multiplied neither be disclosed to third parties (§§1,3 and 5 from the copyright Act (UrhG)) covered according to DIN ISO 16016				
scale: 1:1		surface:		material, semi finished parts: CS (technical requirements Fulterer)
drawn: 19-04-2023	date: 19-04-2023	name: FM	description: FR 790 / 550 CS EN (inch) progressive-action over-extension drawerside / side mount	
proven: 19-04-2023		pr:		drawing number: CS# 790.550-GA.054
			replaces version date:	
Fulterer AG & Co KG A-6890 Lustenau / Austria		Fulterer AG CH-9430 St. Margrethen		
ind.	changes	date	na.	