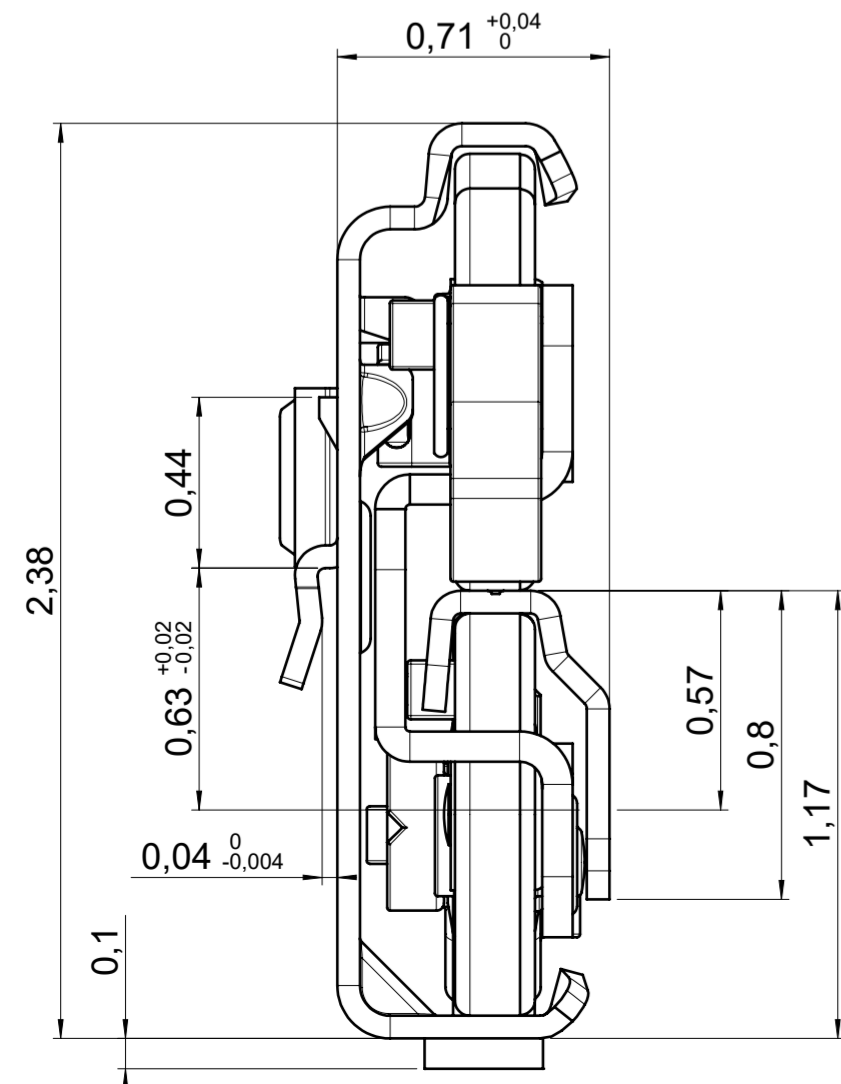
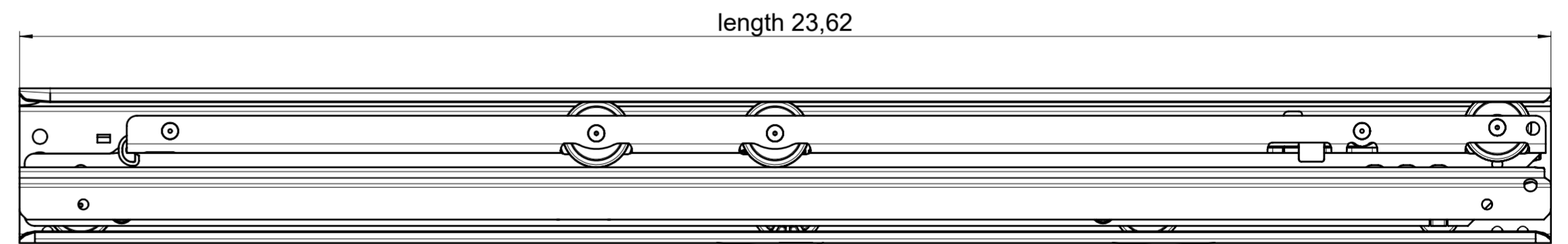
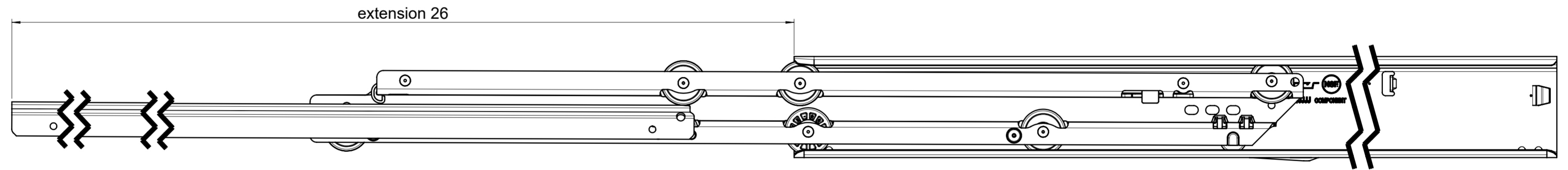
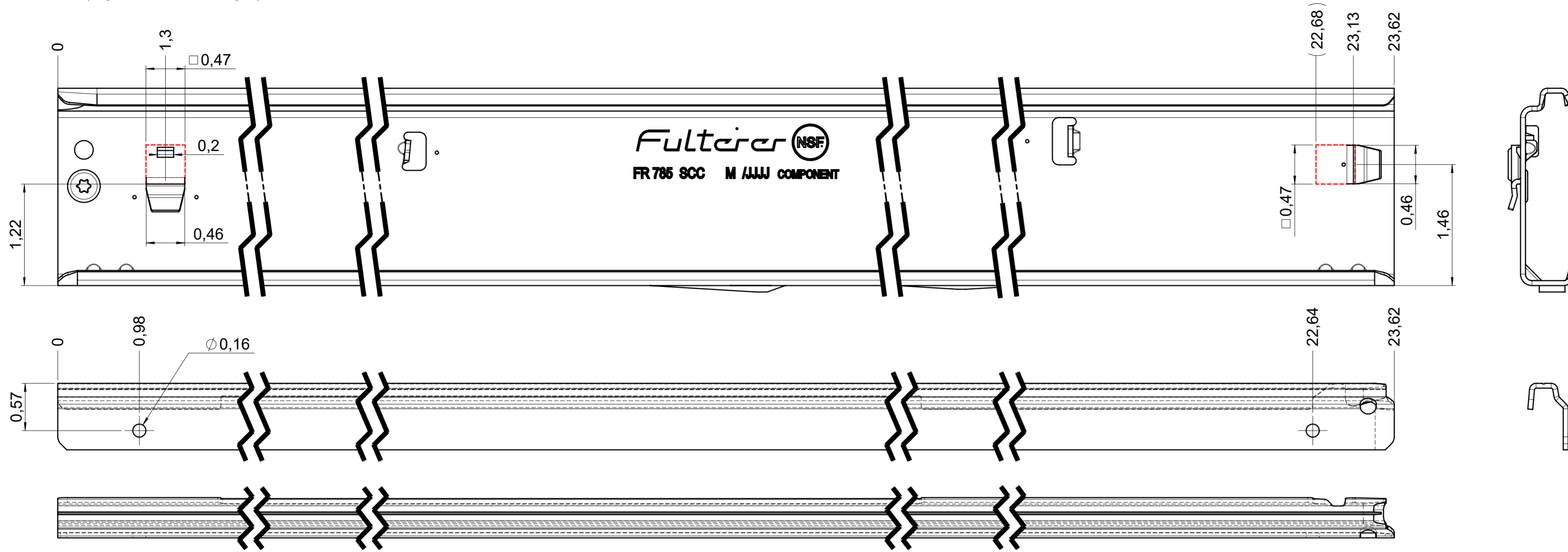


drawn left (right mirrorimage)



final approval

customer name:

signed by:

date:

all dimensions in inch

DIN ISO 128-30
missing dimensions see 3D
= theor. intersection

This drawing remains our property and may not be multiplied neither be disclosed to third parties (§§1,3 and 5 from the copyright Act (UrhG)) covered according to DIN ISO 16016				scale: 1:1	surface:	material, semi finished parts: CS (technical requirements Fulterer)	A2
(k)	(l)	(m)	(n)	date	name	description: FR 790 / 60 CS EN (inch) progressive-action over-extension drawerslide / side mount	drawing number: CS# 790.600-GA.L121 replaces version date:
(h)	(i)	(j)	drawn 24-11-2022	ex			
(g)	(f)	(e)	proven 02-01-2023	pr			
(d)	(c)	(b)	Fulterer		Fulterer AG & Co KG A-6890 Lustenau / Austria Fulterer AG CH-9430 St. Margrethen		
(a)	ind.	changes					date