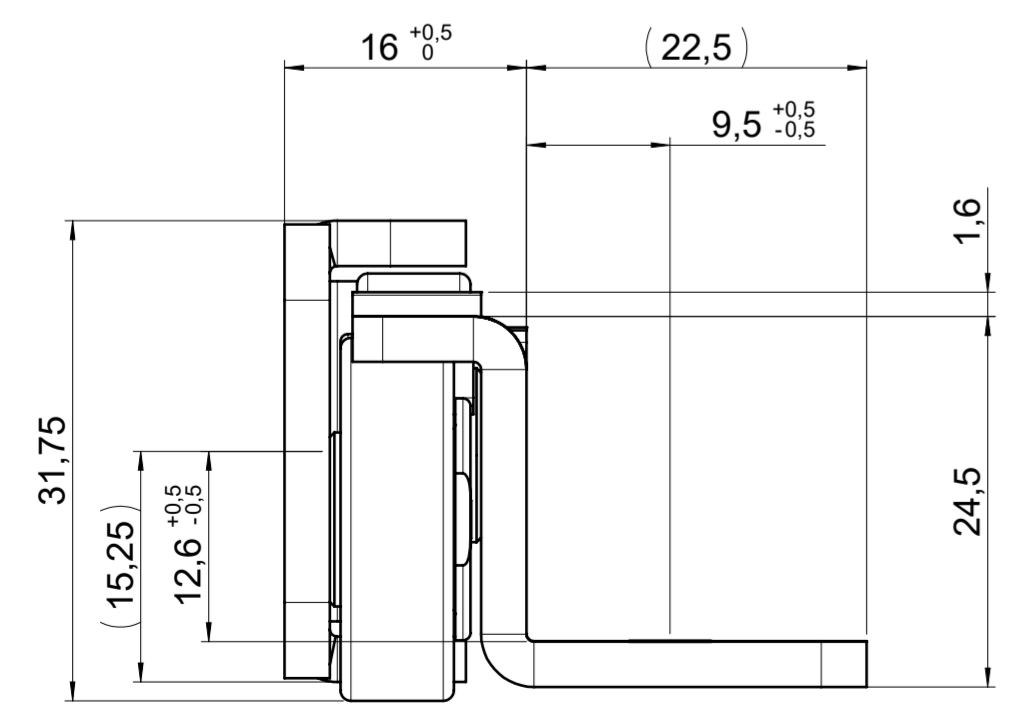
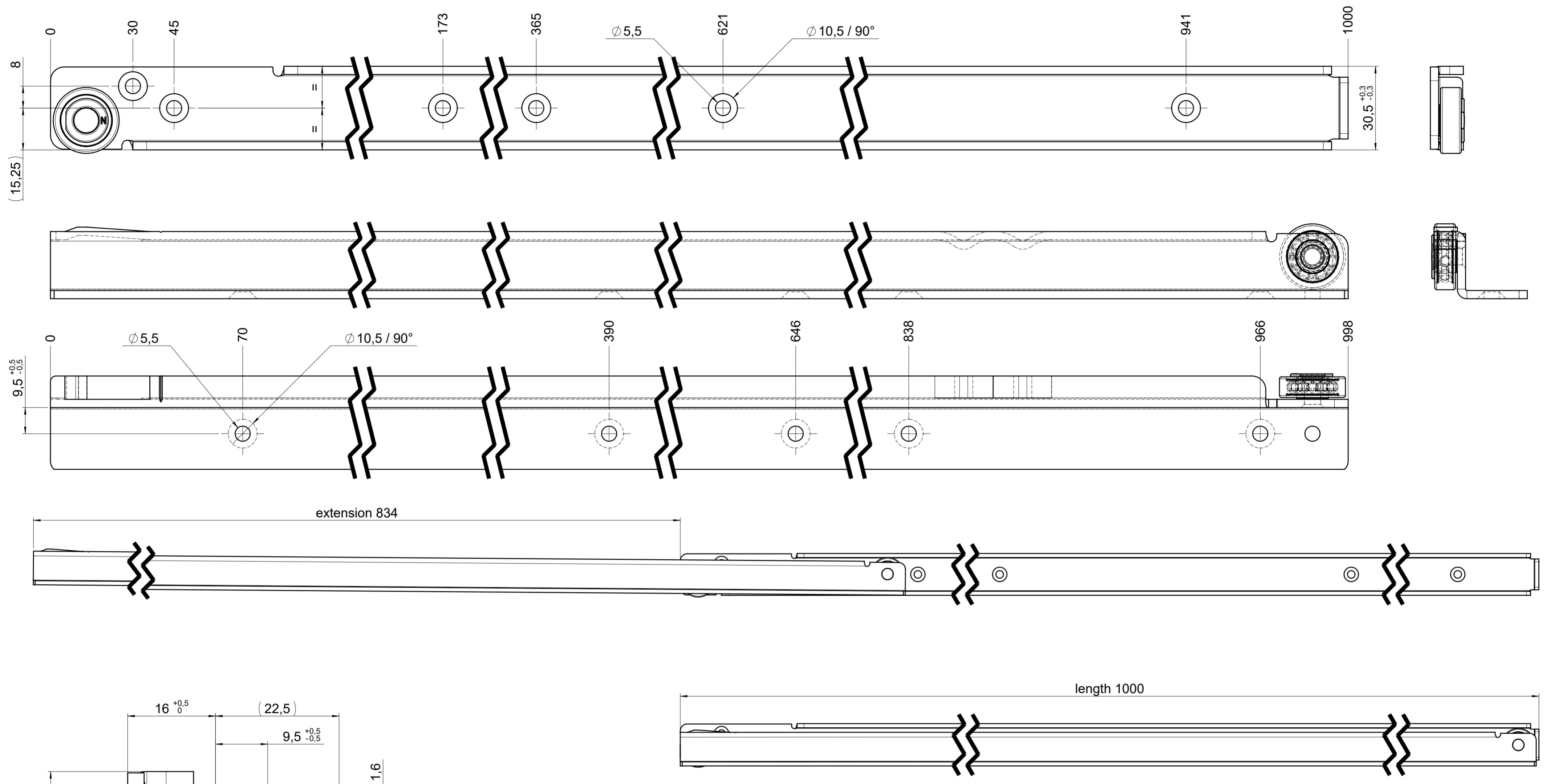


drawn left (right mirrorimage)



final approval

customer name:

signed by:

date:

all dimensions in mm			DIN ISO 128-30 missing dimensions see 3D = theor. intersection	
This drawing remains our property and may not be multiplied neither be disclosed to third parties (§§1,3 and 5 from the copyright Act (UrhG)) covered according to DIN ISO 16016				
scale: 1:1		surface:		material, semi finished parts: STEEL (technical requirements Fulterer)
drawn 24-11-2022		date		description: FR 206 / 100 EN (mm) regular-extension drawerside / bottom mount
proven 02-01-2023		name		
				drawing number: 206.1000-GA.0000 replaces version date:
Fulterer AG & Co KG A-6890 Lustenau / Austria		Fulterer AG CH-9430 St. Margrethen		
ind.	changes	date	na.	