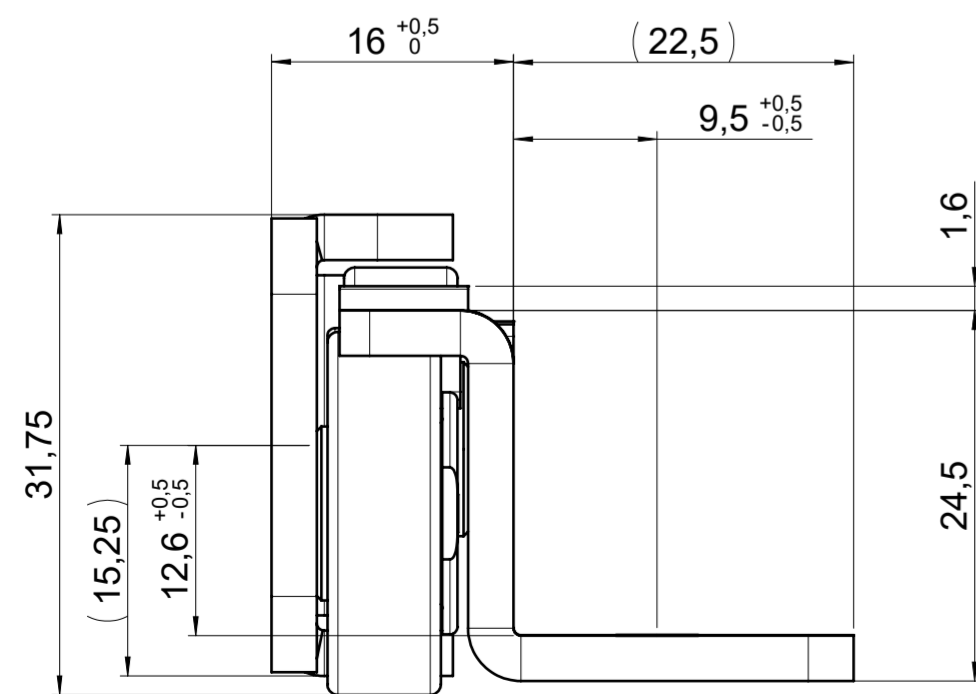
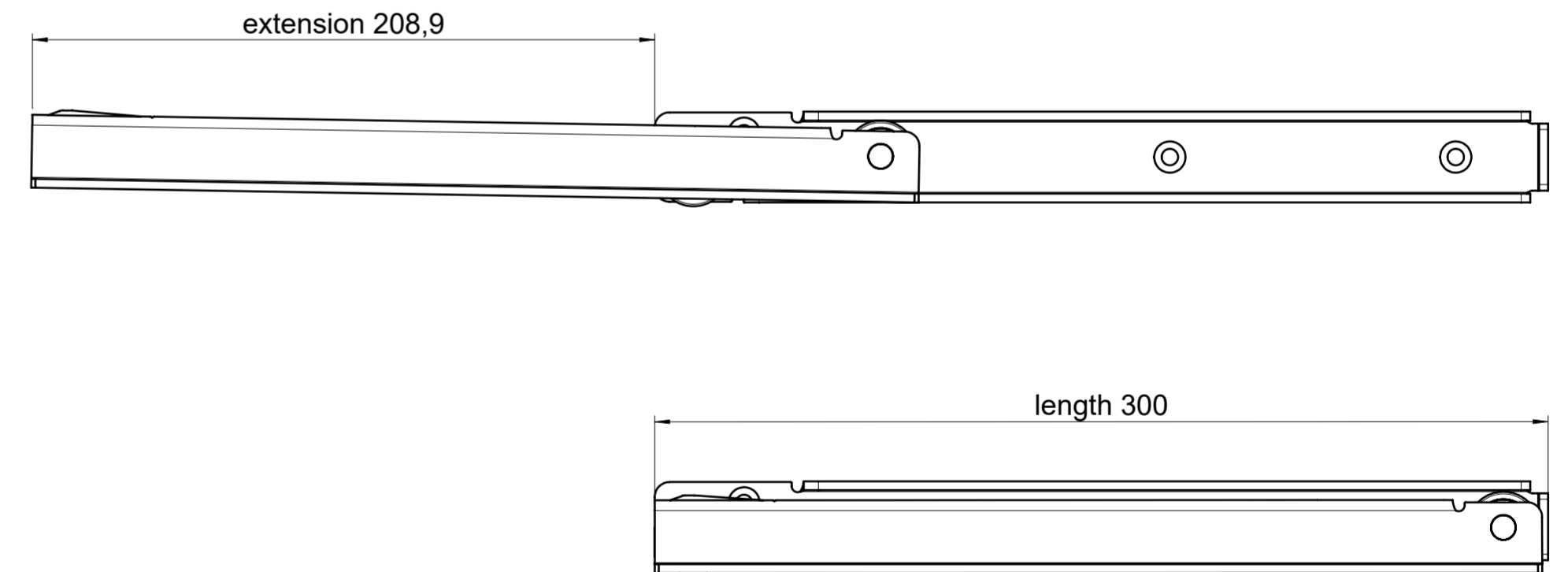
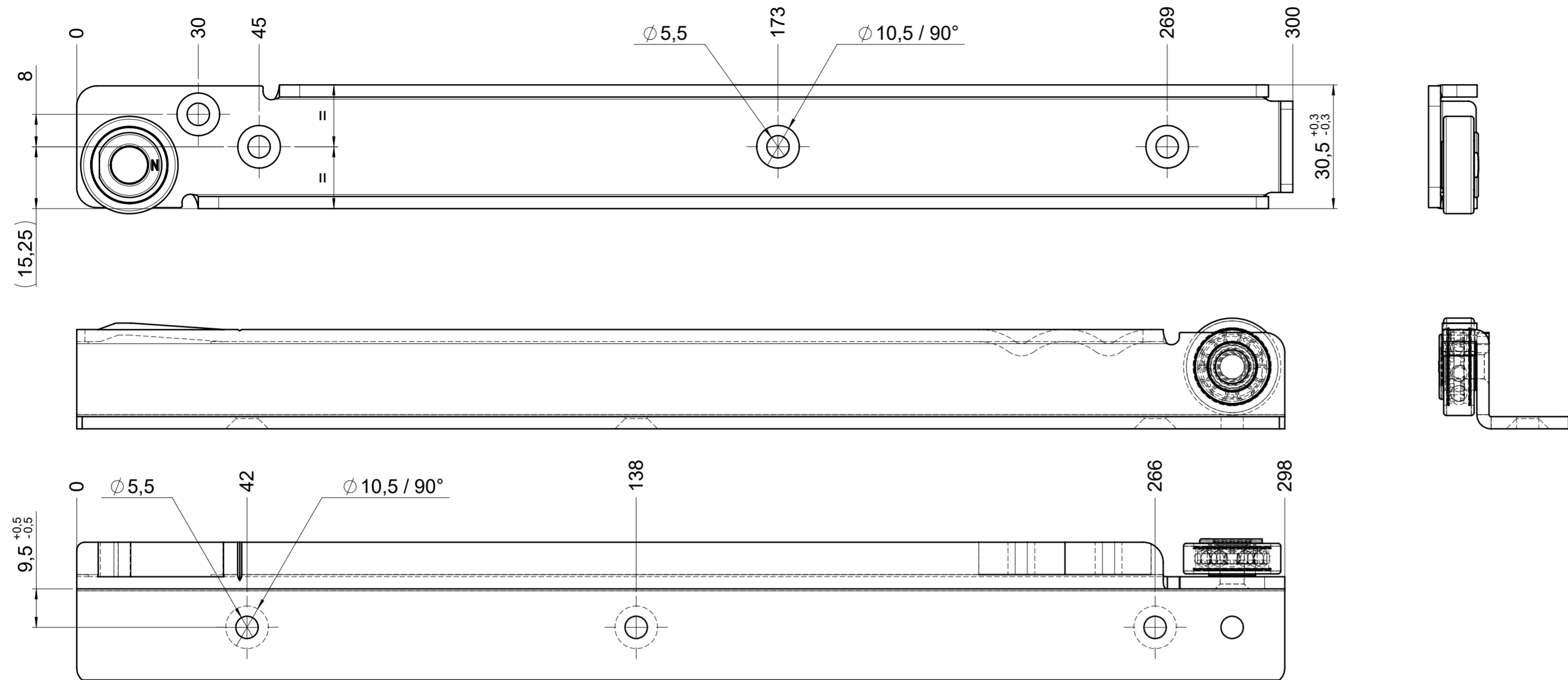


drawn left (right mirrorimage)



final approval

customer name:

signed by:

date:

all dimensions in mm

DIN ISO 128-30
missing dimensions see 3D
 = theor. intersection

This drawing remains our property and may not be multiplied neither be disclosed to third parties (§§1,3 and 5 from the copyright Act (UrhG)) covered according to DIN ISO 16016				scale:	surface:	material, semi finished parts:	A2
(k)				1:1		STEEL	
(l)				date	name	(technical requirements Fulterer)	
(i)				drawn 24-11-2022	ex	description: FR 206 / 30 EN (mm) regular-extension drawerside / bottom mount	
(h)				proven 02-01-2023	pr		
(g)						drawing number: 206.300-GA.0000	
(f)							
(e)				Fulterer AG & Co KG A-6890 Lustenau / Austria			
(d)				Fulterer AG CH-9430 St. Margrethen			
(c)				changes	date	na.	
(b)							
(a)							
ind.							