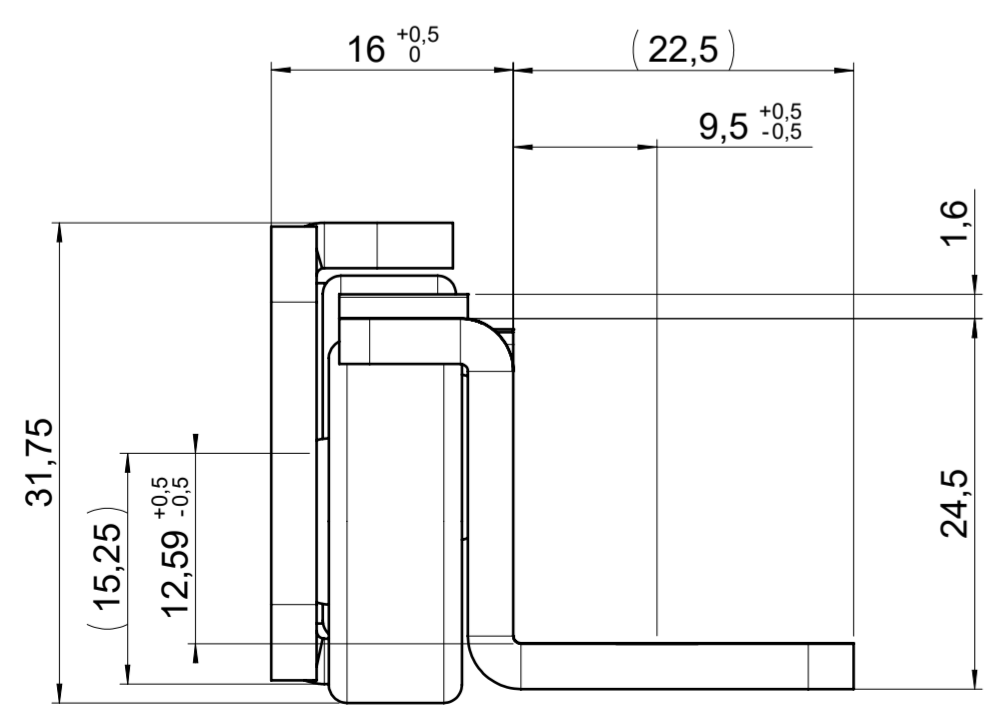
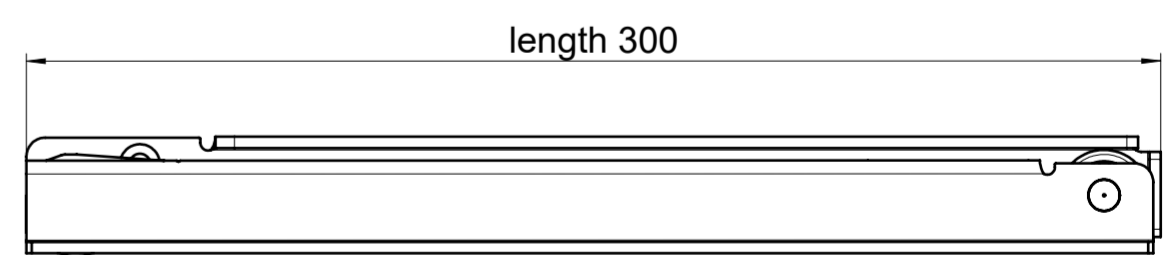
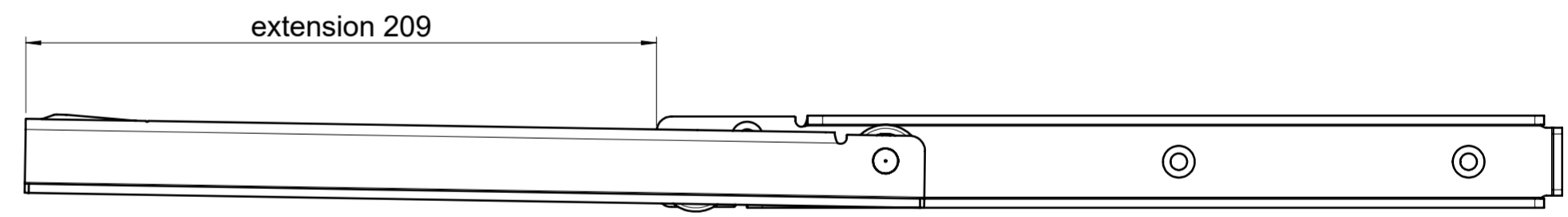
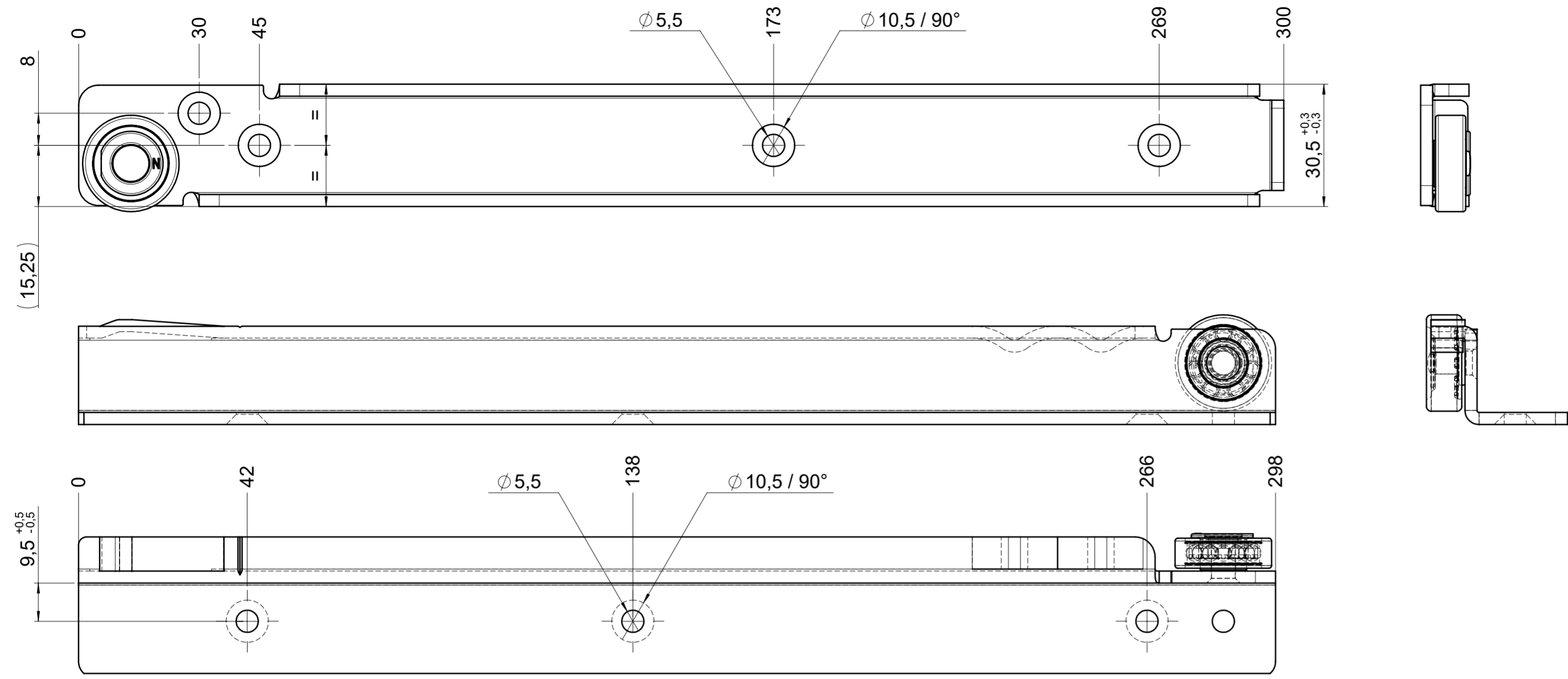


drawn left (right mirrorimage)

dimensions without coating / maximum coating allowed 0.1mm



final approval

customer name:

signed by:

date:

all dimensions in mm				DIN ISO 128-30 missing dimensions see 3D = theor. intersection	
This drawing remains our property and may not be multiplied neither be disclosed to third parties (§§1,3 and 5 from the copyright Act (UrhG)) covered according to DIN ISO 16016					
scale: 1:1		surface:		material, semi finished parts: STEEL (technical requirements Fulterer)	
(k)		drawn	24-11-2022	date	name
(l)		proven	02-01-2023	date	name
(h)		description: FR 206 / 30 EN (mm) regular-extension drawerside / bottom mount			
(g)		drawing number: 206.300-GA.SB00			
(f)		replaces version date:			
(e)		Fulterer AG & Co KG A-6890 Lustenau / Austria			
(d)		Fulterer AG CH-9430 St. Margrethen			
(c)					
(b)					
(a)					
ind.	changes	date	na.		