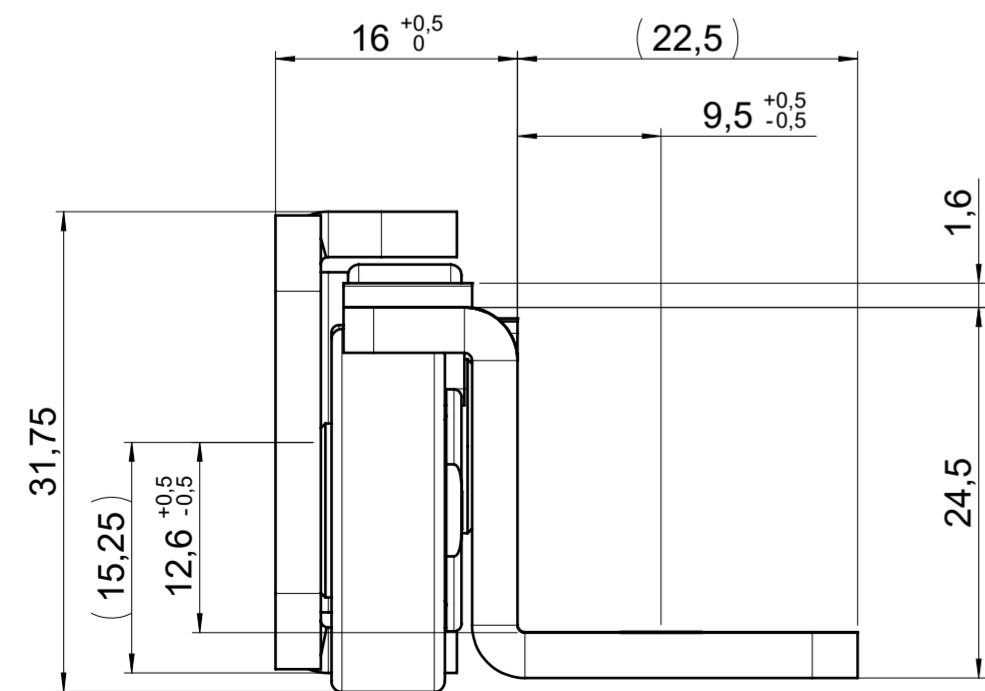
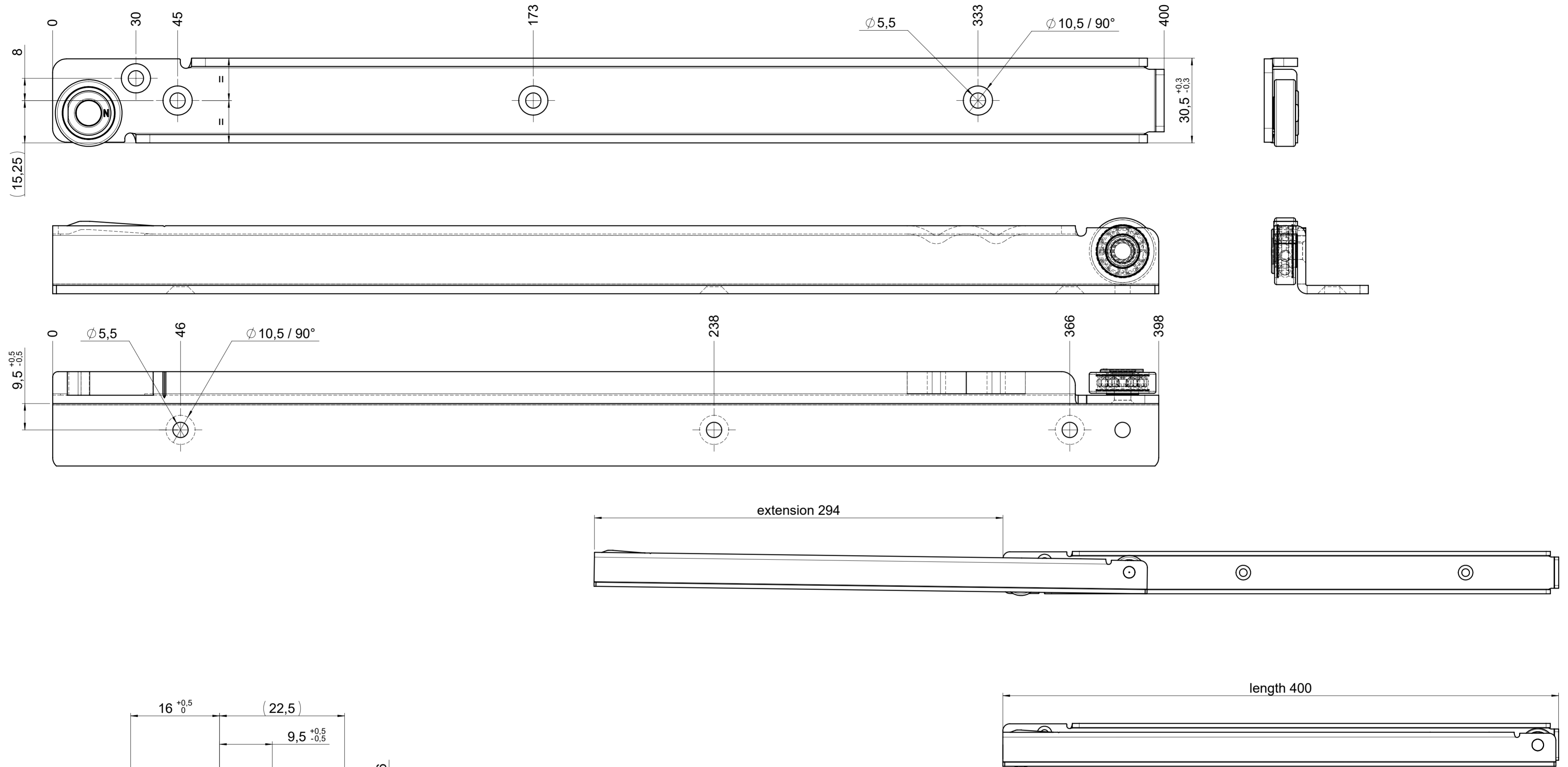


drawn left (right mirrorimage)



**final approval**

customer name:

signed by:

date:

all dimensions in mm				DIN ISO 128-30 missing dimensions see 3D = theor. intersection	
This drawing remains our property and may not be multiplied neither be disclosed to third parties (§§1,3 and 5 from the copyright Act (UrhG)) covered according to DIN ISO 16016					
scale: 1:1		surface:		material, semi finished parts: STEEL (technical requirements Fullterer)	
drawn 24-11-2022		date		description: FR 206 / 40 EN (mm) regular-extension drawerside / bottom mount	
proven 02-01-2023		name		drawing number: 206.400-GA.0000	
		pr		replaces version date:	
Fullterer		Fullterer AG & Co KG A-6890 Lustenau / Austria			
		Fullterer AG CH-9430 St. Margrethen			
ind.	changes	date	na.		