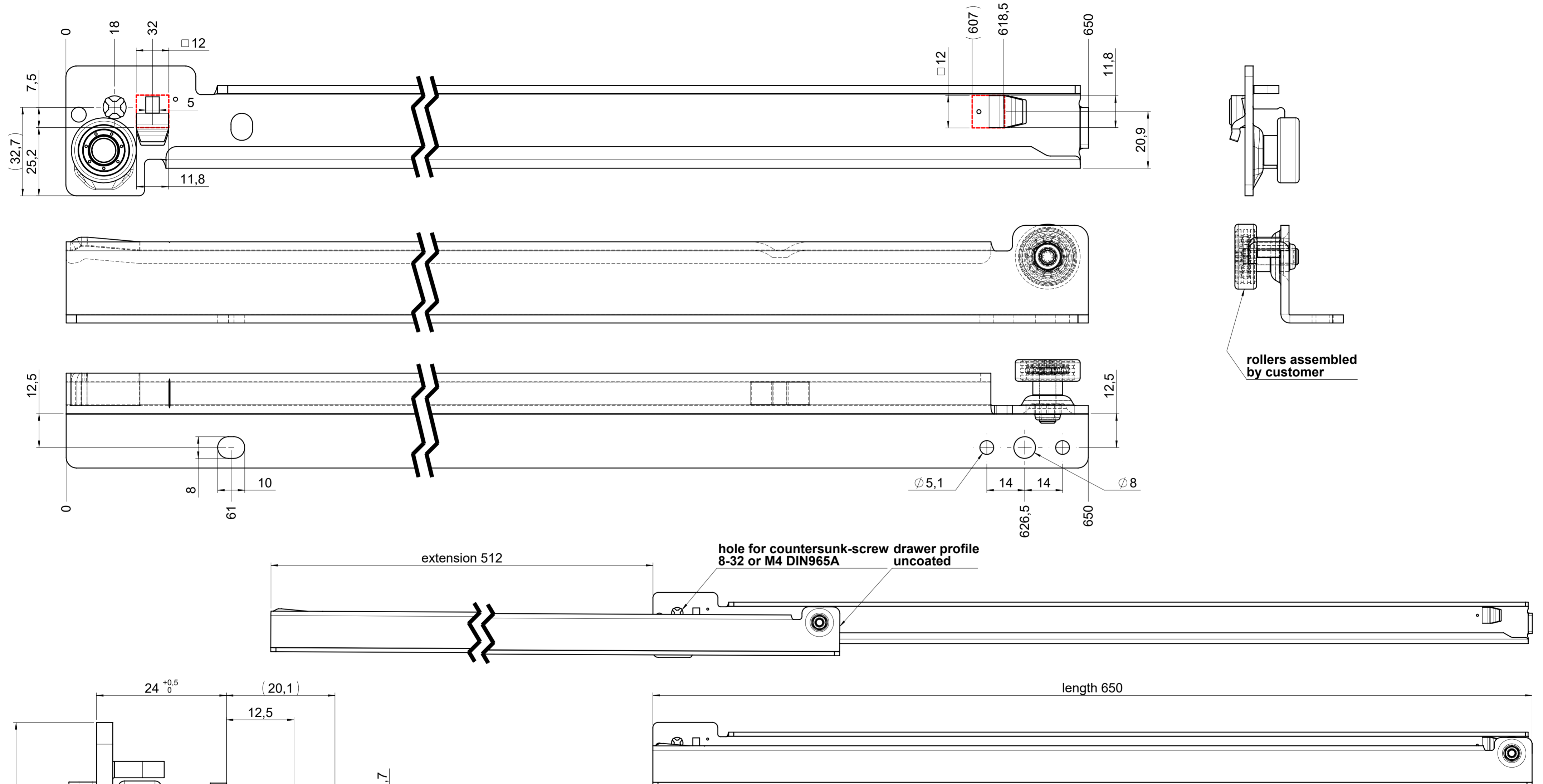


drawn left (right mirrorimage)

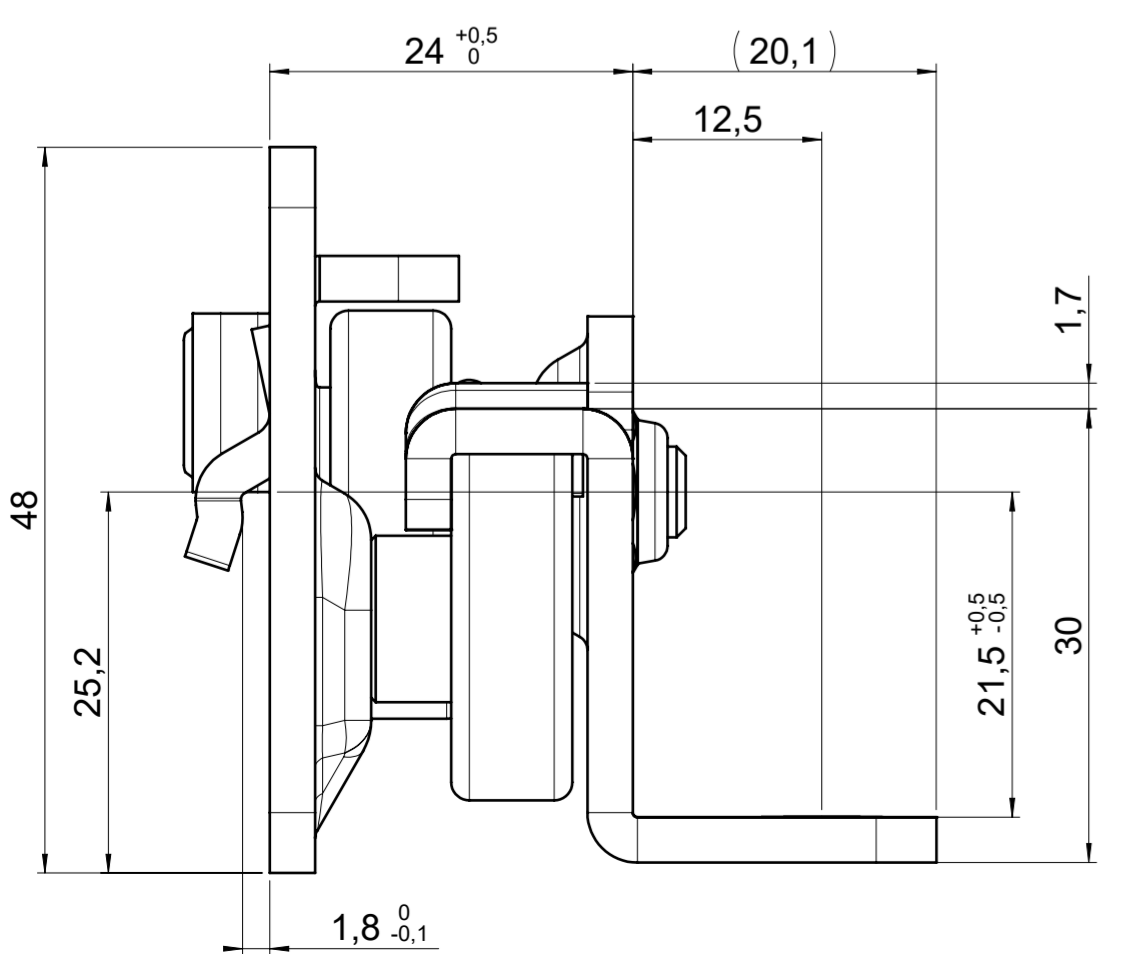
dimensions without coating / maximum coating allowed 0.1mm



rollers assembled by customer

hole for countersunk-screw drawer profile
8-32 or M4 DIN965A uncoated

length 650



final approval

customer name:

signed by:

date:

all dimensions in mm				DIN ISO 128-30 missing dimensions see 3D = theor. intersection	
This drawing remains our property and may not be multiplied neither be disclosed to third parties (§§1,3 and 5 from the copyright Act (UrhG)) covered according to DIN ISO 16016					
(k) (l) (m) (n) (o) (p) (q) (r) (s) (t) (u) (v) (w) (x) (y) (z)	scale:	1:1	surface:	material, semi finished parts: STEEL (technical requirements Fulterer)	
	drawn	01-02-2023	date	name	ex
	proven	01-03-2023	date	name	pr
			description: FR 215 / 65 EN (mm) regular-extension drawerside / bottom mount		
Fulterer AG & Co KG A-6890 Lustenau / Austria Fulterer AG CH-9430 St. Margrethen			drawing number: 215.650-GA.U004		
changes			replaces version date:		