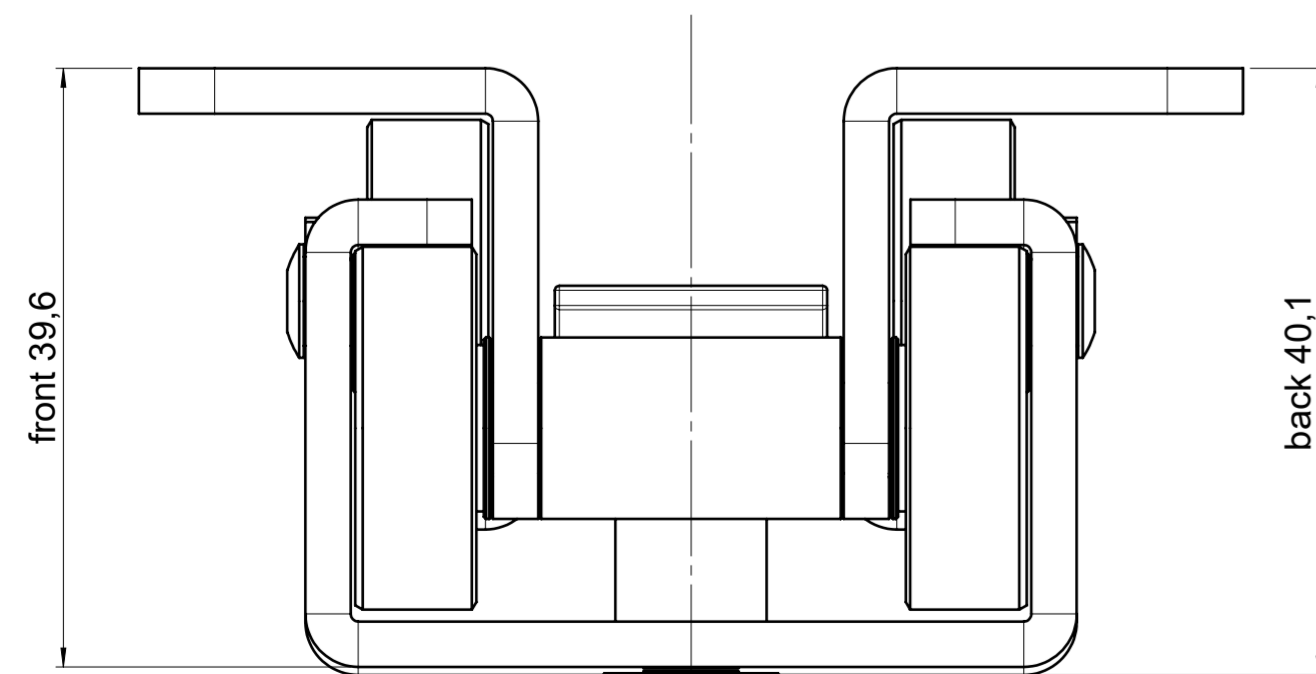
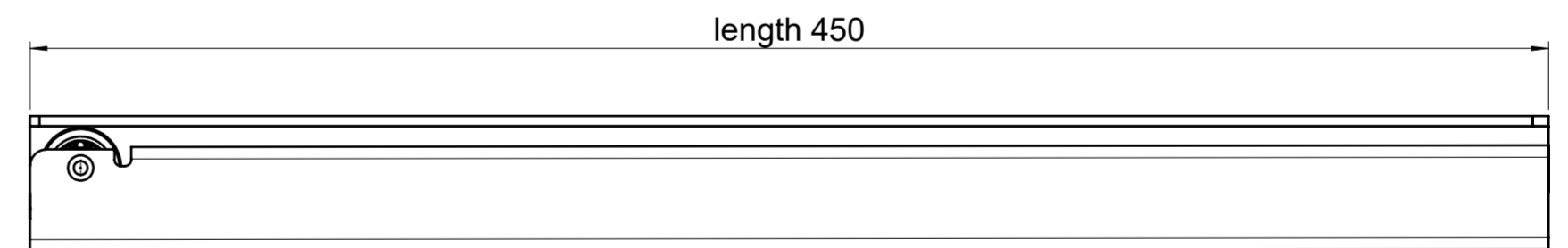
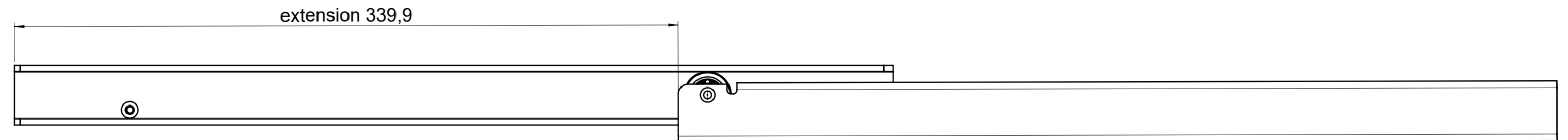
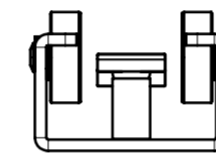
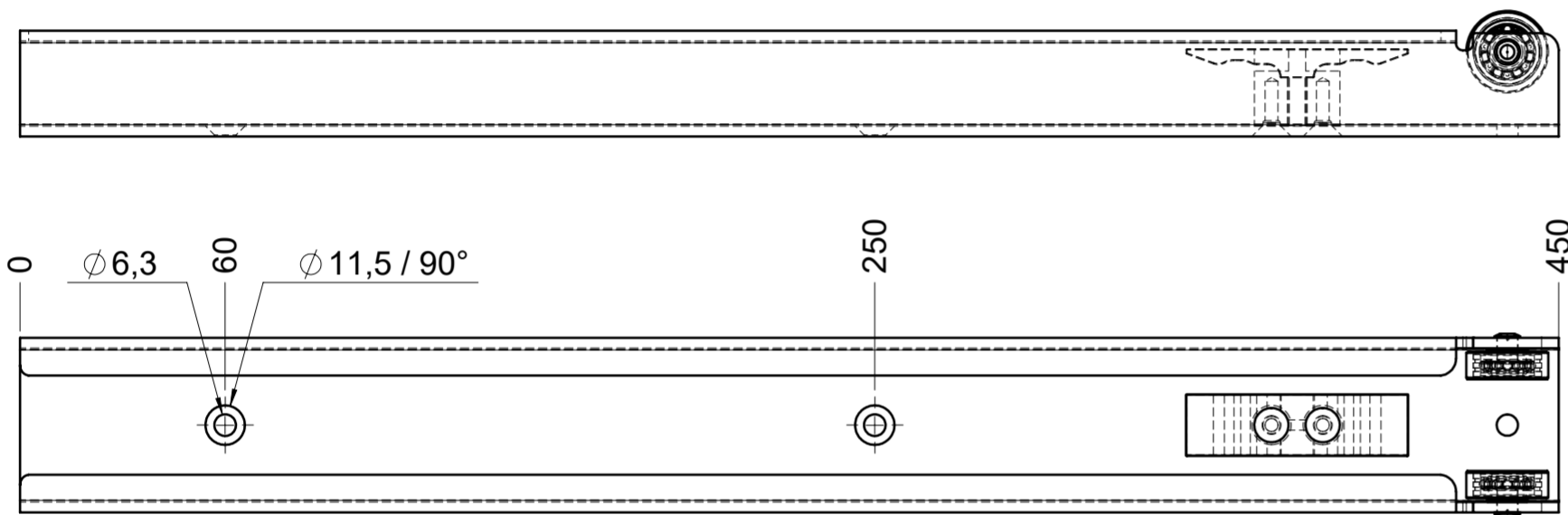
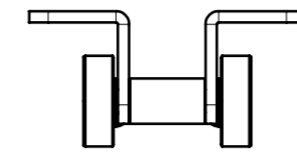
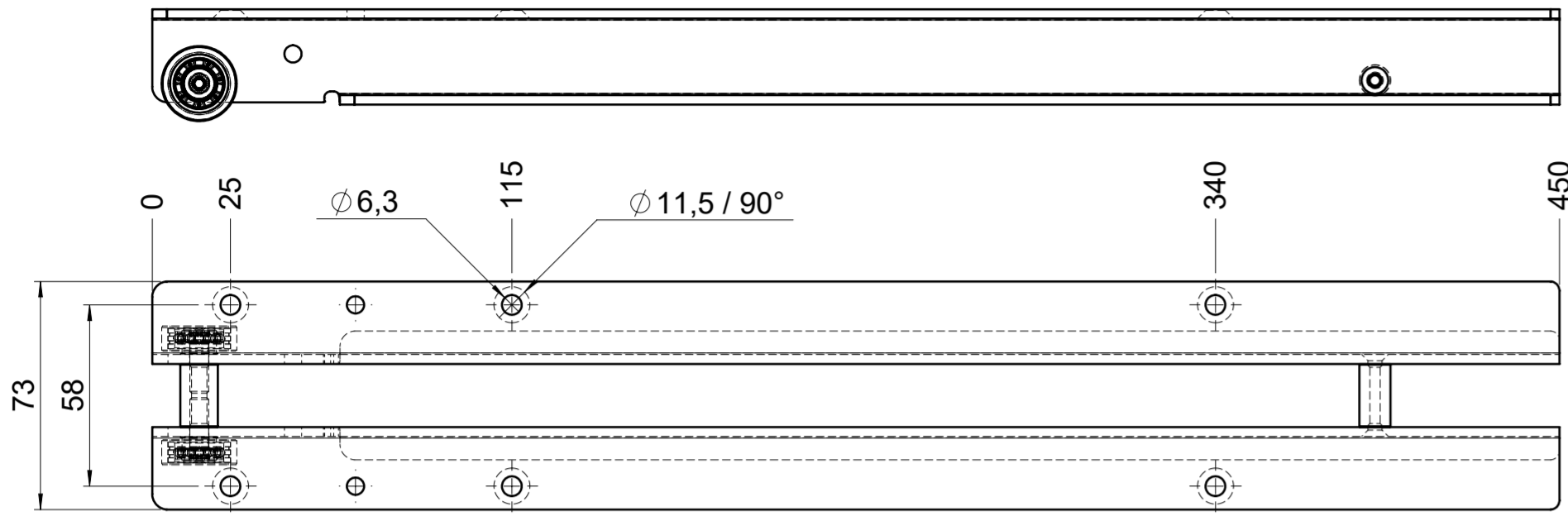


# 505T.450-GA.0000

drawn left (right mirrorimage)

dimensions without coating / maximum coating allowed 0.1mm



**final approval**

customer name:

signed by:

date:

**all dimensions in mm**

DIN ISO 128-30  
missing dimensions see 3D  
 = theor. intersection

This drawing remains our property and may not be multiplied neither be disclosed to third parties (§§1,3 and 5 from the copyright Act (UrhG)) covered according to DIN ISO 16016				scale:	surface:	material, semi finished parts: <b>STEEL</b> (technical requirements Fulterer)	A2
(k)				1:2			
(l)				drawn	date	name	description: FR 505T / 45 EN (mm) regular-extension vertical pull-out slide
(h)				17-01-2023	ex		
(g)				proven	01-02-2023	pr	
(f)				<b>Fulterer</b>			drawing number: <b>505T.450-GA.0000</b> replaces version date:
(e)				Fulterer AG & Co KG A-6890 Lustenau / Austria			
(d)				Fulterer AG CH-9430 St. Margrethen			
(c)							
(b)				ind.	changes	date	na.
(a)							