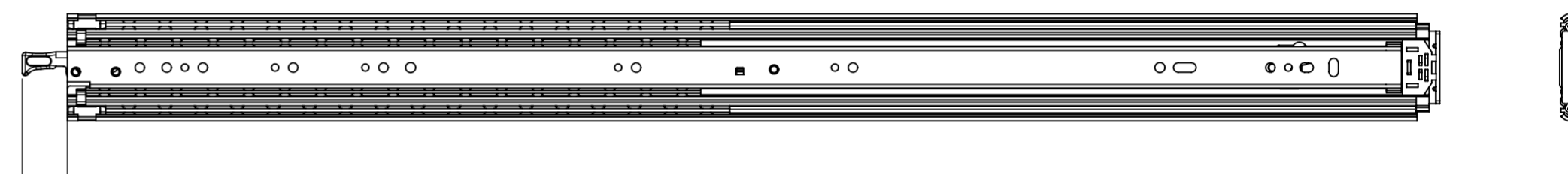
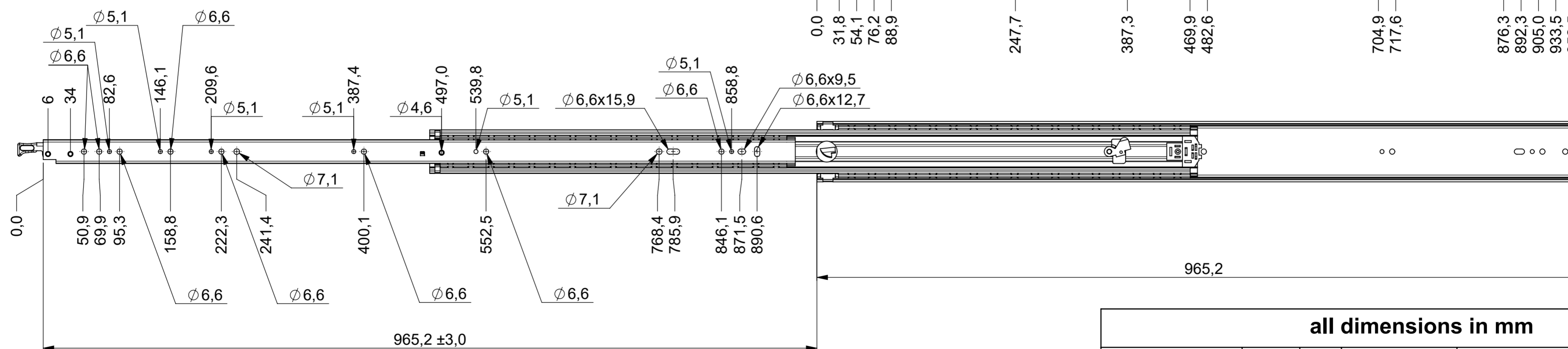
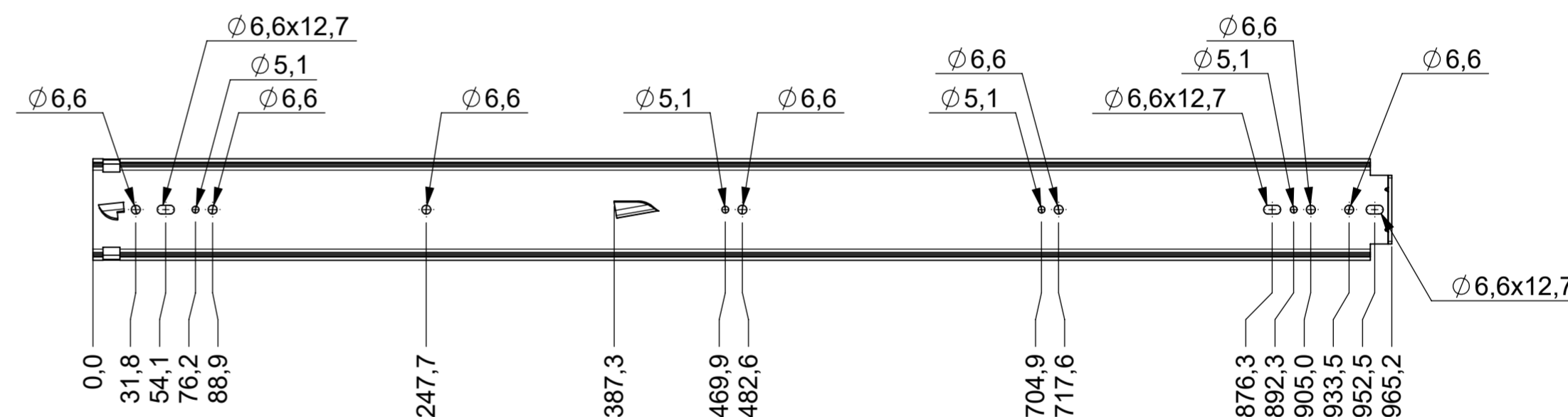


32 REF



CABINET MOUNTING HOLES



RECOMMENDED HARDWARE:
CABINET - M6 OR 1/4 BUTTON HEAD SCREWS
DRAWER - M6 OR 1/4 BUTTON HEAD SCREWS

all dimensions in mm			
missing dimensions see 3D ∅ = theor. intersection		scale: 1:4	surface/color: Zinc plated
			material: STEEL (technical requirements Fullterer)
released		drawn 2025-01-30 PH	description: FULL EXTENSION SIDE MOUNT
		proven 2025-02-27 BM	heavy duty spring lock-in/lock-out
			non-disconnect slide
		Fullterer AG & Co KG A-6890 Lustenau	drawing number: 5401.36-GA.C054D
		Fullterer AG CH-9430 St. Margrethen	replaces the edition:
ind. changes	date	name	