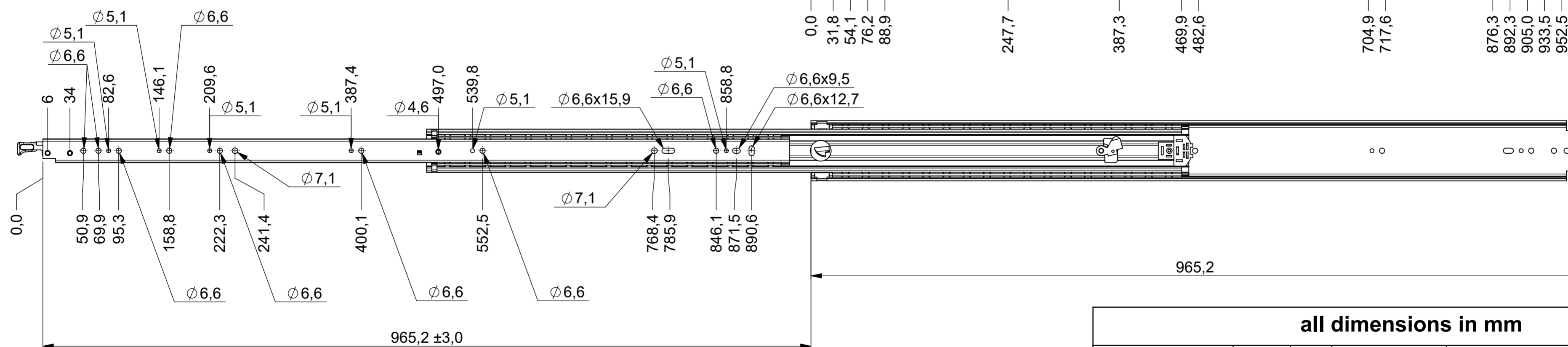
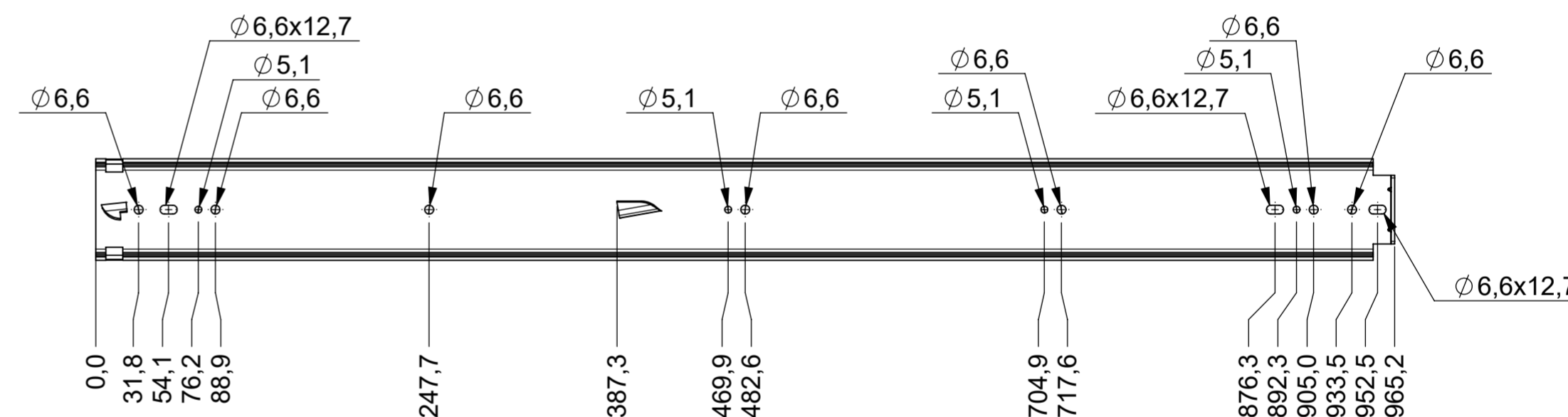


CABINET MOUNTING HOLES



RECOMMENDED HARDWARE:
CABINET - M6 OR 1/4 BUTTON HEAD SCREWS
DRAWER - M6 OR 1/4 BUTTON HEAD SCREWS

all dimensions in mm			
missing dimensions see 3D ∅ = theor. intersection	DIN ISO 128-30	scale: 1:4	surface/color: Zinc plated
released		date	material: STEEL (technical requirements Fullterer)
		name	description: FULL EXTENSION SIDE MOUNT heavy duty spring lock-in/lock-out non-disconnect slide
drawn	2025-01-30	PH	drawing number: 5401.38-GA.C054D
proven	2025-02-27	BM	replaces the edition:
ind. changes		date	name
Fullterer AG & Co KG A-6890 Lustenau		Fullterer AG CH-9430 St. Margrethen	
This drawing remains our property and may not be multiplied neither be disclosed to third parties (§§1.3 and 5 from the copyright Act (UrHfG)).			covered according to DIN ISO 16016