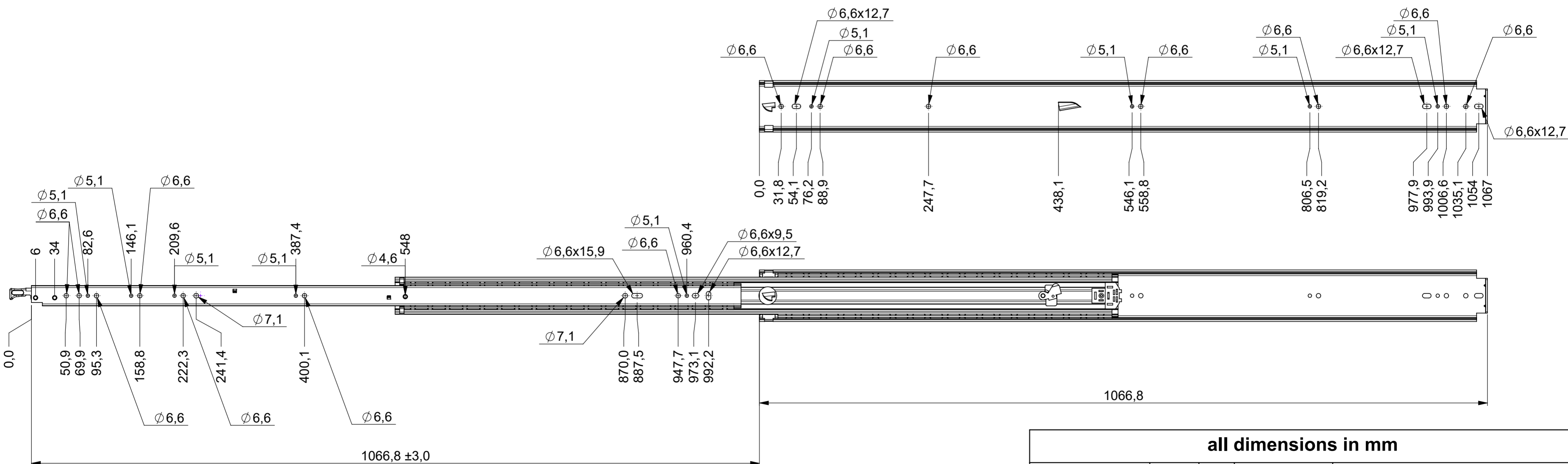


CABINET MOUNTING HOLES



RECOMMENDED HARDWARE:
CABINET - M6 OR 1/4 BUTTON HEAD SCREWS
DRAWER - M6 OR 1/4 BUTTON HEAD SCREWS

all dimensions in mm			
missing dimensions see 3D = theor. intersection	scale: 1:4	surface/color: Zinc plated	material: STEEL (technical requirements Fullterer)
released	drawn: 2025-01-30 PH	date: 2025-01-30	description: FULL EXTENSION SIDE MOUNT heavy duty spring lock-in/lock-out non-disconnect slide
	proven: 2025-02-27 BM	date: 2025-02-27	
ind. changes		date name	
Fullterer AG & Co KG A-6890 Lustenau		drawing number: 5401.42-GA.C054D	
Fullterer AG CH-9430 St. Margrethen		replaces the edition:	
This drawing remains our property and may not be multiplied neither be disclosed to third parties (§§1.3 and 5 from the copyright Act (UrHG)).			covered according to DIN ISO 16016