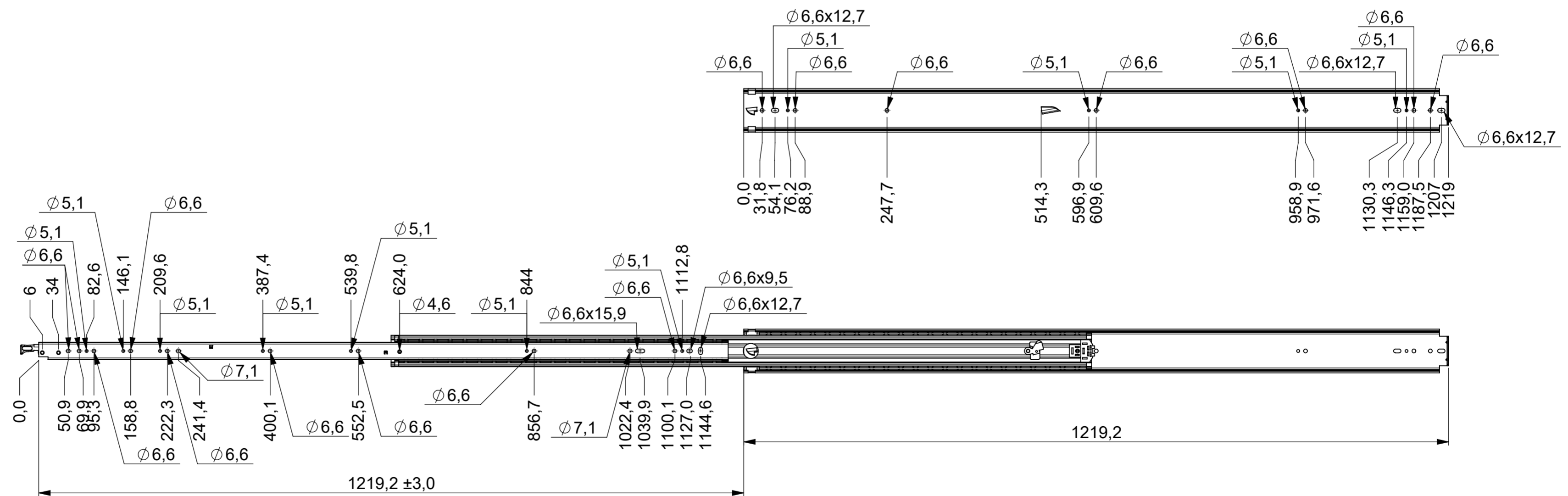


32 REF

CABINET MOUNTING HOLES



all dimensions in mm

missing dimensions see 3D ∅ = theor. intersection	scale: 1:6	surface/color: Zinc plated	material: STEEL (technical requirements Fullterer)
released	drawn 2025-01-30 PH	date 2025-01-30	name PH
	proven 2025-02-27 BM	date 2025-02-27	name BM
 Fullterer AG & Co KG A-6890 Lustenau Fullterer AG CH-9430 St. Margrethen			description: FULL EXTENSION SIDE MOUNT heavy duty spring lock-in/lock-out non-disconnect slide drawing number: 5401.48-GA.C054D replaces the edition:
ind. changes	date	name	

RECOMMENDED HARDWARE:
CABINET - M6 OR 1/4 BUTTON HEAD SCREWS
DRAWER - M6 OR 1/4 BUTTON HEAD SCREWS