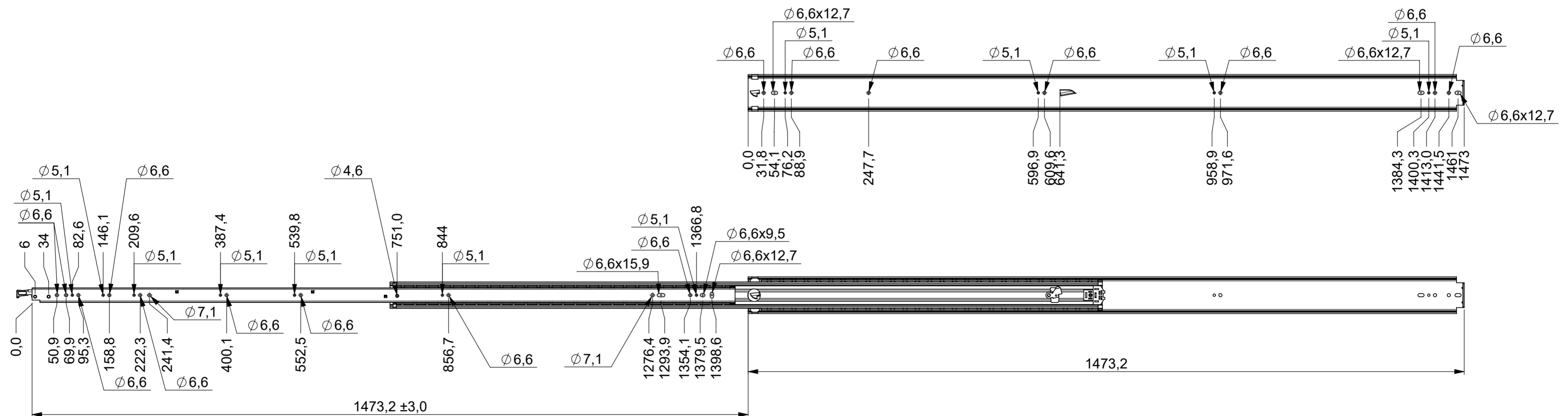


32 REF

### CABINET MOUNTING HOLES



**RECOMMENDED HARDWARE:**  
**CABINET - M6 OR 1/4 BUTTON HEAD SCREWS**  
**DRAWER - M6 OR 1/4 BUTTON HEAD SCREWS**

all dimensions in mm					
missing dimensions see 3D ∅ = theor. intersection		scale: <b>1:6</b>	surface/color: <b>Zinc plated</b>	material: <b>STEEL</b> (technical requirements Fullterer)	
<b>released</b>			date	name	description: <b>FULL EXTENSION SIDE MOUNT heavy duty spring lock-in/lock-out non-disconnect slide</b>
			drawn 2025-01-30 PH	proven 2025-02-27 BM	
 Fulterer AG & Co KG A-6890 Lustenau Fulterer AG CH-9430 St. Margrethen			drawing number: <b>5401.58-GA.C054D</b>		
			replaces the edition:		
ind. changes	date	name	This drawing remains our property and may not be multiplied neither be disclosed to third parties (§§1.3 and 5 from the copyright Act (UrHG)). covered according to DIN ISO 16016		