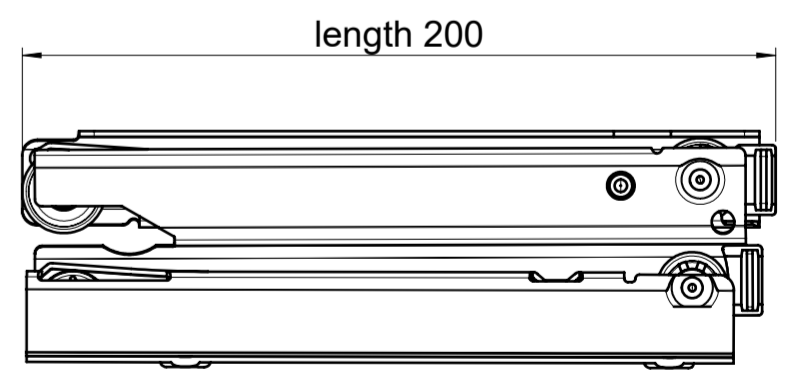
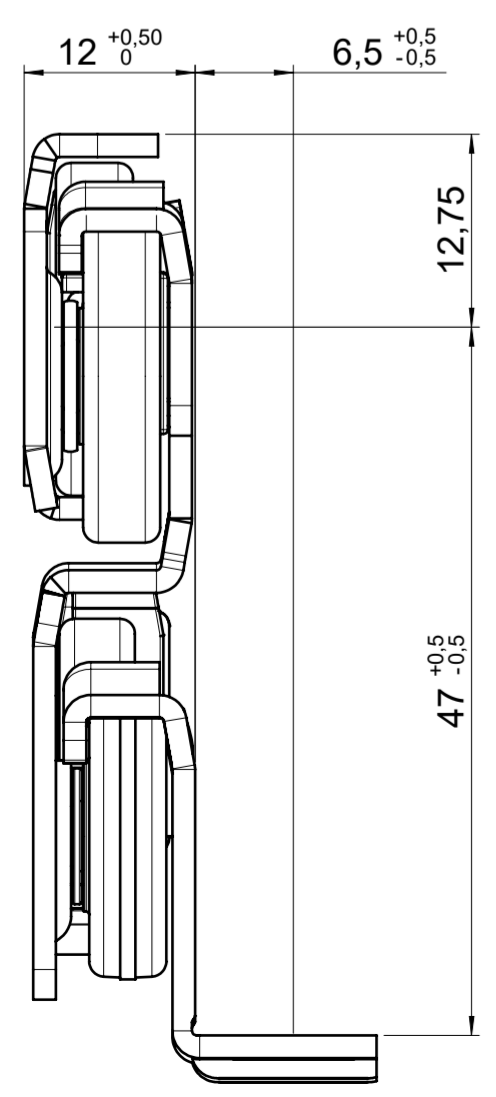
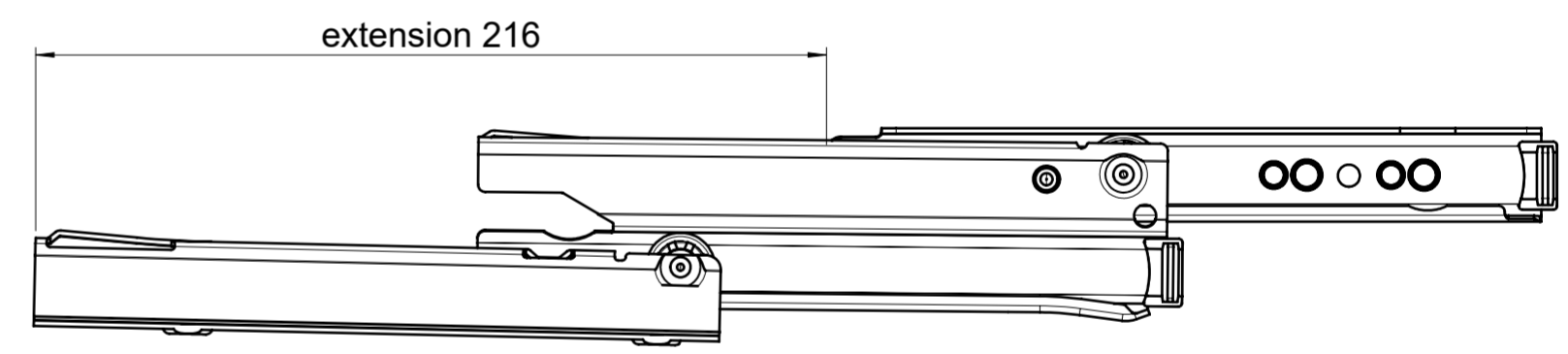
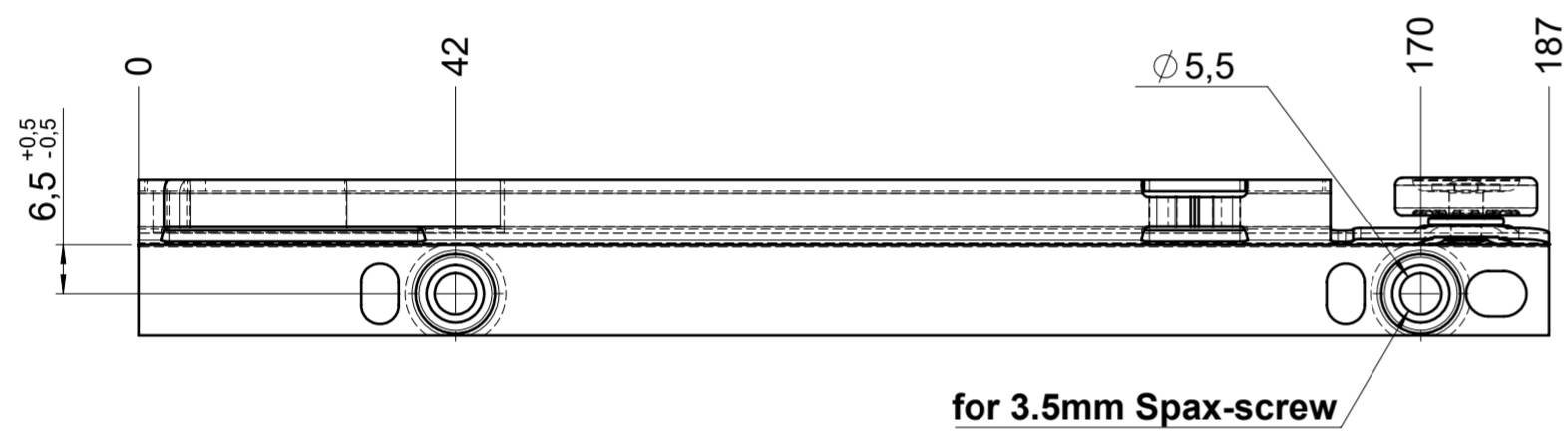
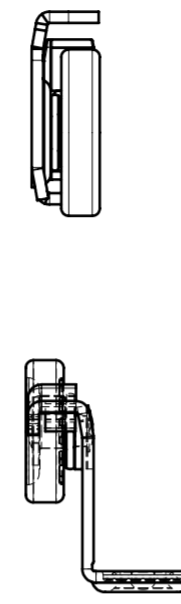
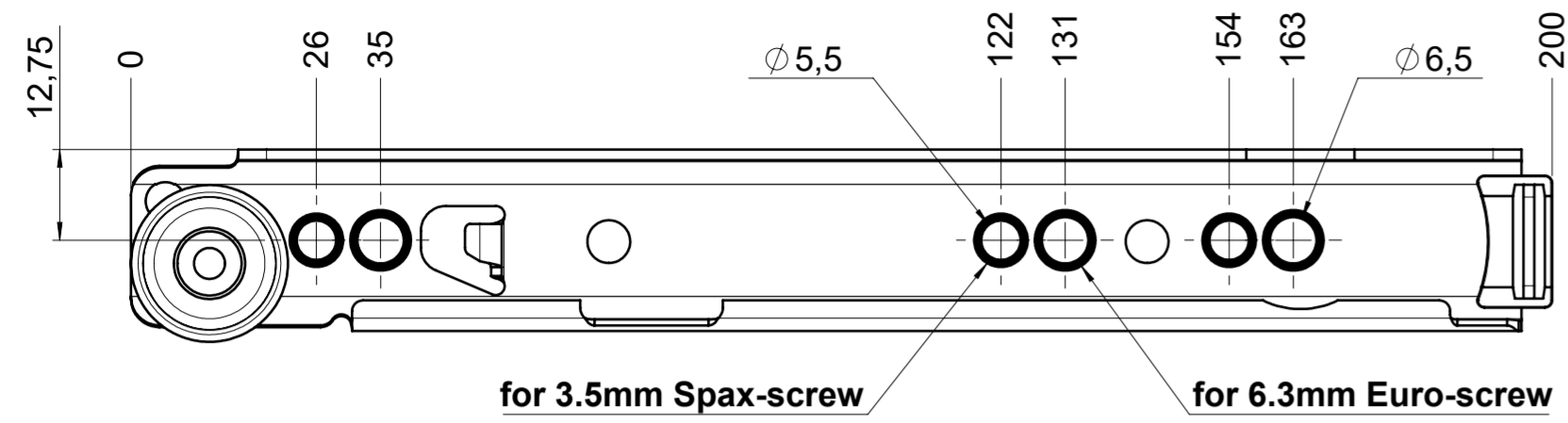


drawn left (right mirrorimage)

dimensions without coating / maximum coating allowed 0.1mm



final approval

customer name:

signed by:

date:

all dimensions in mm				DIN ISO 128-30 missing dimensions see 3D = theor. intersection	
This drawing remains our property and may not be multiplied neither be disclosed to third parties (§§1,3 and 5 from the copyright Act (UrhG)) covered according to DIN ISO 16016					
scale: 1:1		surface:		material, semi finished parts: STEEL (technical requirements Fulterer)	
(k)		date	name	description: FR 6500 / 20 EN (mm) over-extension drawerside / bottom mount	
(l)		drawn 02-01-2023	pr		
(m)		proven 01-02-2023	pr		
(n)					
(o)					
(p)		Fulterer AG & Co KG A-6890 Lustenau / Austria Fulterer AG CH-9430 St. Margrethen		drawing number: 6500.200-GA.L019 replaces version date:	
(q)	changes	date	na.		