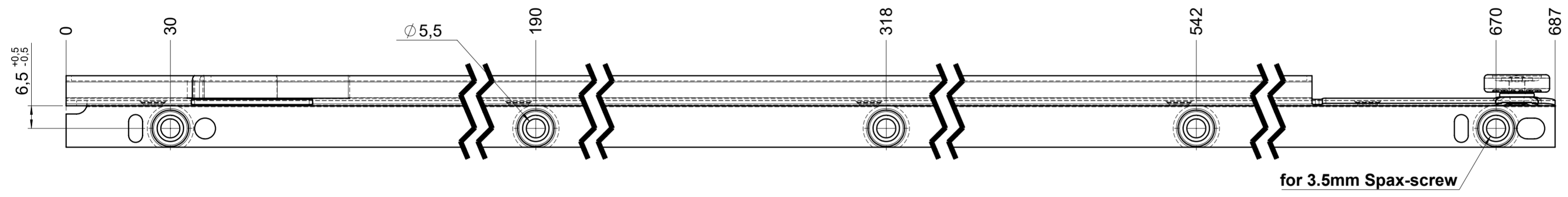
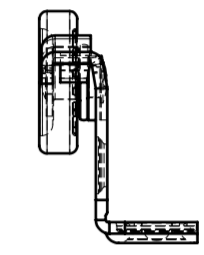
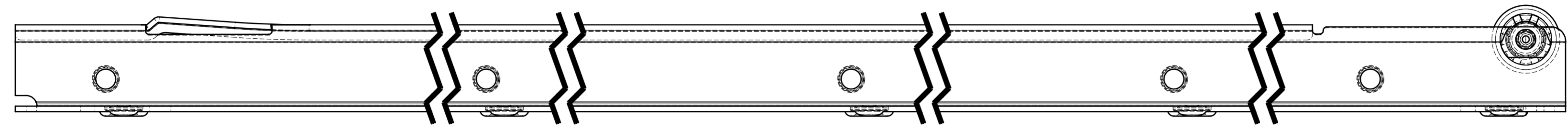
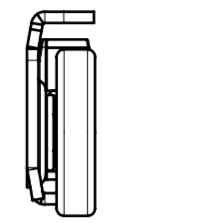
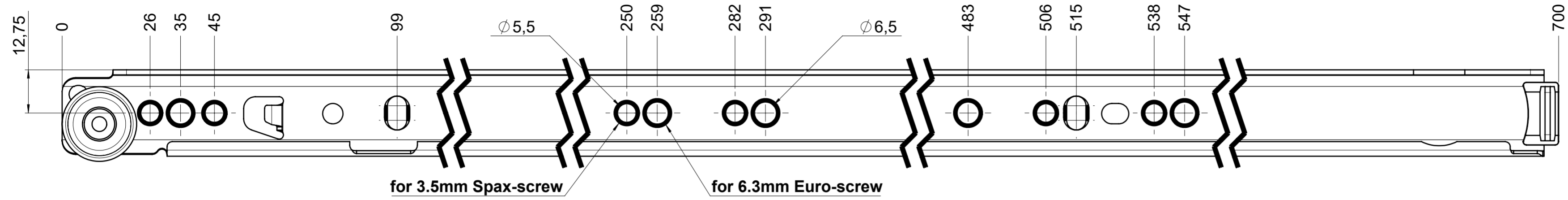


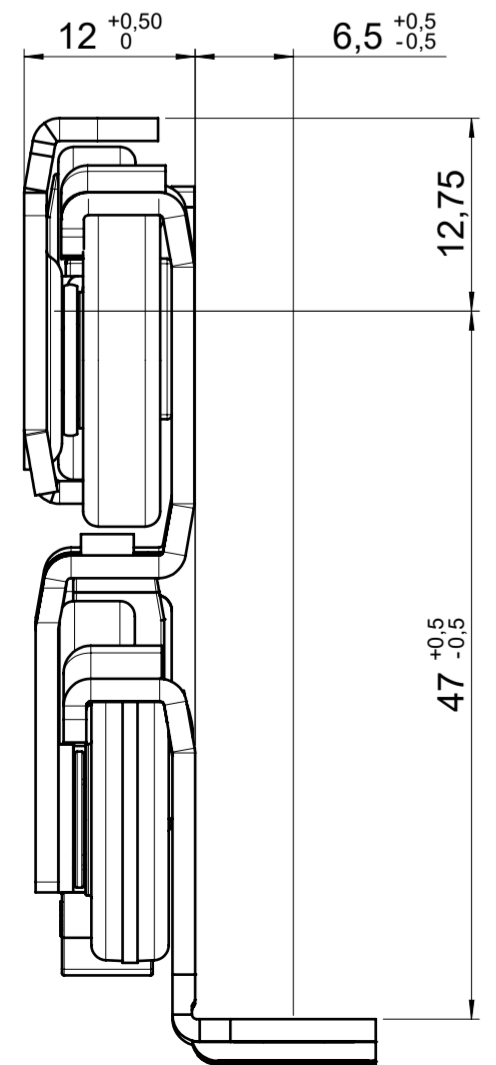
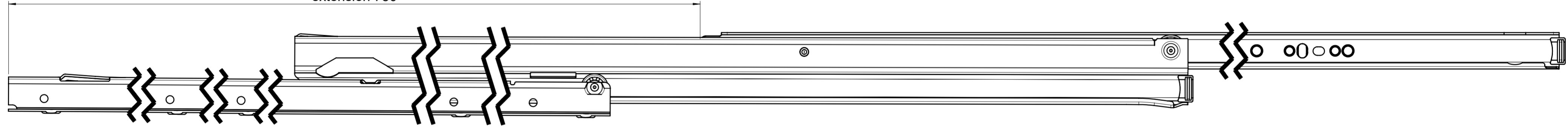
# 6500.700-GA.0000

drawn left (right mirrorimage)

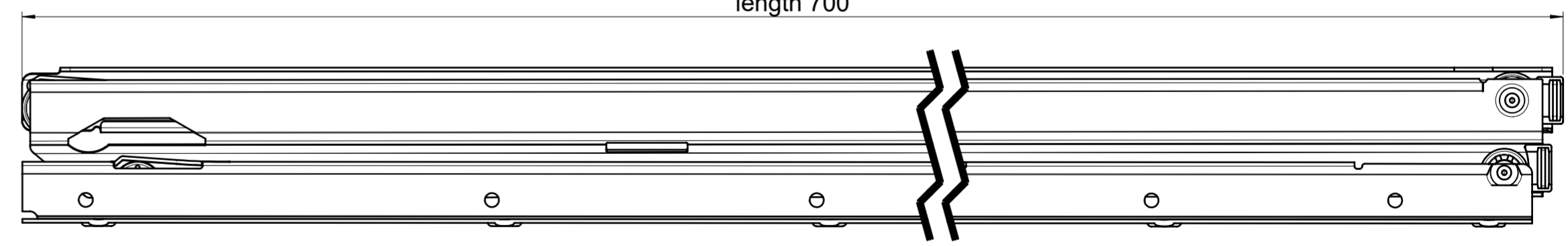
dimensions without coating / maximum coating allowed 0.1mm



extension 750



length 700



**final approval**

customer name:

signed by:

date:

<b>all dimensions in mm</b>			DIN ISO 128-30 missing dimensions see 3D = theor. intersection	
This drawing remains our property and may not be multiplied neither be disclosed to third parties (§§1,3 and 5 from the copyright Act (UrhG)) covered according to DIN ISO 16016				
(k) (l) (m) (n) (o) (p) (q) (r) (s) (t) (u) (v) (w) (x) (y) (z)	scale:	1:1	surface:	material, semi finished parts: <b>STEEL</b> (technical requirements Fulterer)
	drawn	02-01-2023	date	name
	proven	01-02-2023	date	name
			description: <b>FR 6500 / 70 EN (mm)</b> over-extension drawerside / bottom mount	
Fulterer AG & Co KG A-6890 Lustenau / Austria Fulterer AG CH-9430 St. Margrethen			drawing number: <b>6500.700-GA.0000</b> replaces version date:	
ind.	changes	date	na.	