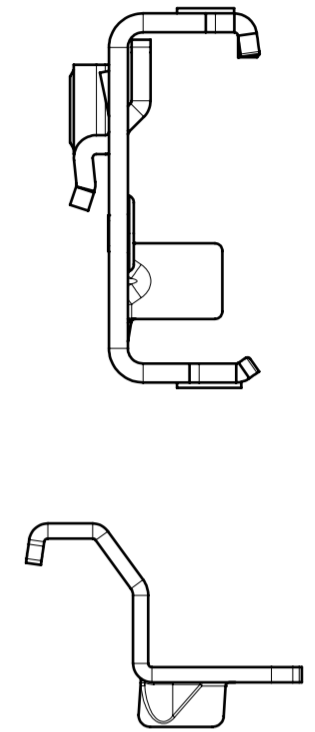
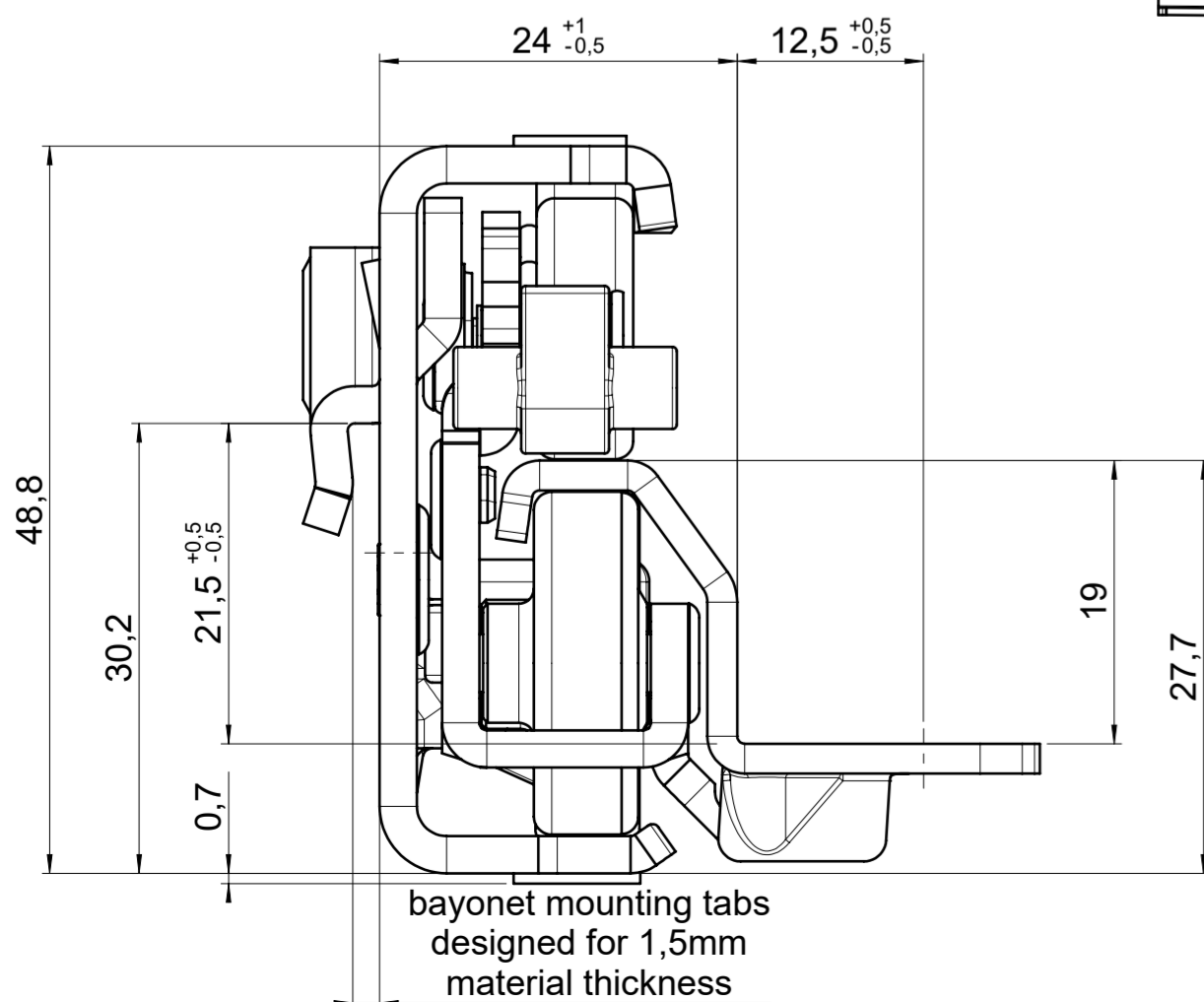
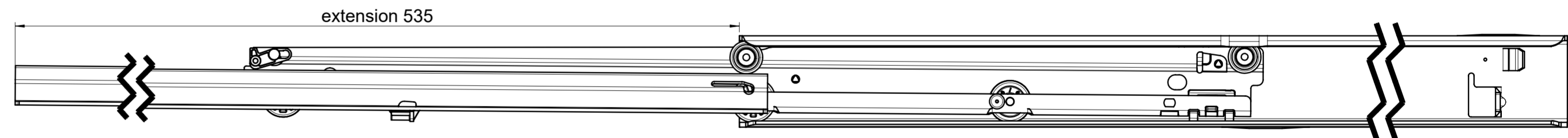
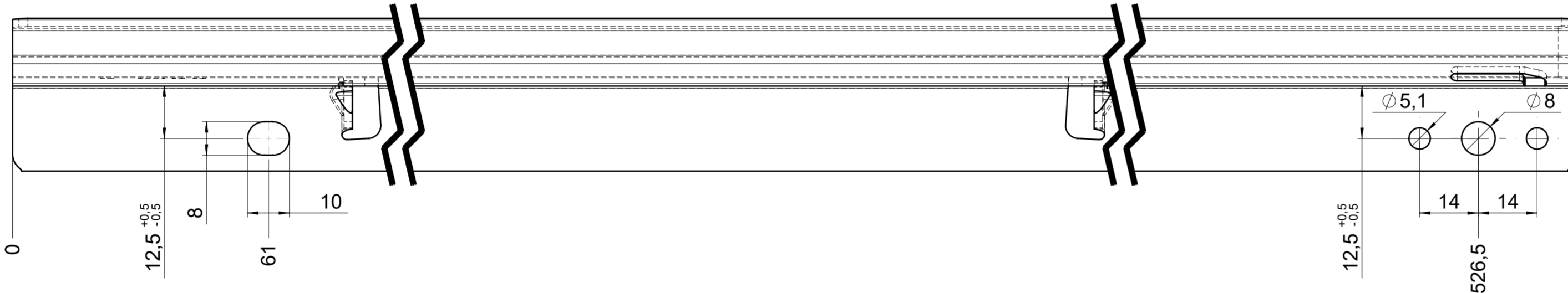
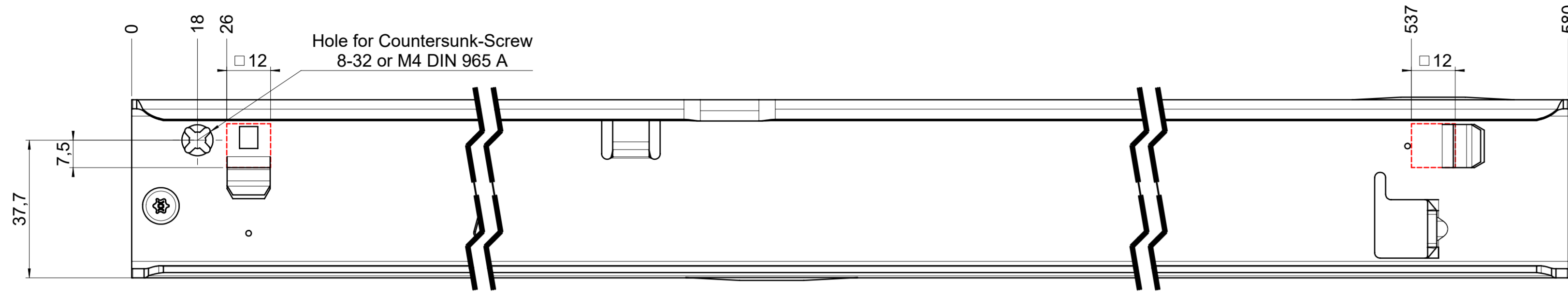


7075.550-GA.U006

drawn left (right mirrorimage)

dimensions without coating / maximum coating allowed 0.1mm



final approval

customer name:

signed by:

date:

all dimensions in mm

DIN ISO 128-30
missing dimensions see 3D
∅ = theor. intersection

This drawing remains our property and may not be multiplied neither be disclosed to third parties (§§1,3 and 5 from the copyright Act (UrhG)) covered according to DIN ISO 16016				scale: 1:1	surface:	material, semi finished parts: steel (technical requirements Fulterer)	A2
(k)				date	name	description: FR 7075 / 55 EN (mm) progressive-action full-extension drawerslide / bottom mount	drawing number: 7075.550-GA.U006 replaces version date:
(l)			drawn	30-11-2022	BM		
(m)			proven	00-00-0000	00		
(n)			Fulterer				
(o)			Fulterer AG & Co KG A-6890 Lustenau / Austria				
(p)			Fulterer AG CH-9430 St. Margrethen				
(q)			ind.	changes	date	na.	