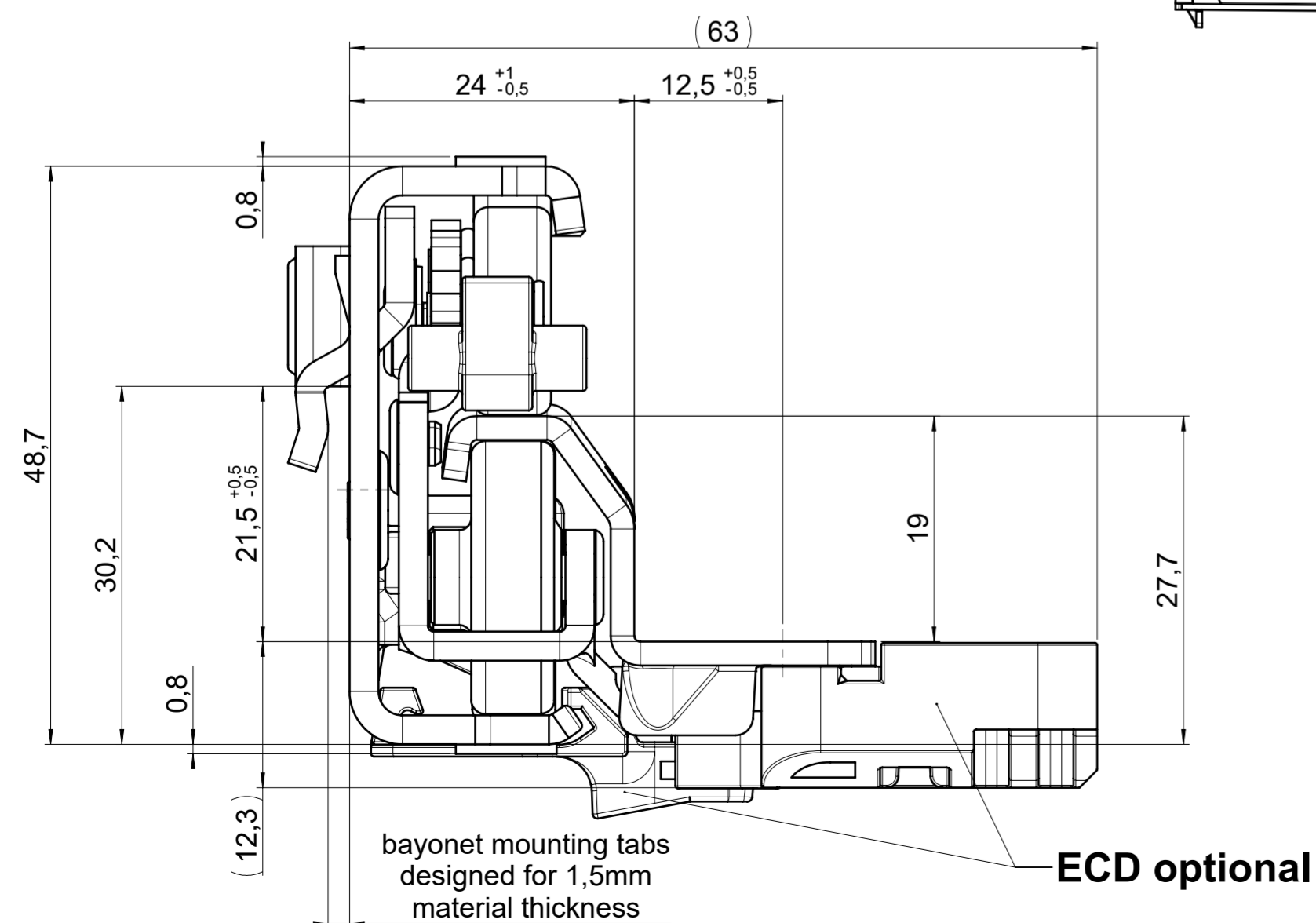
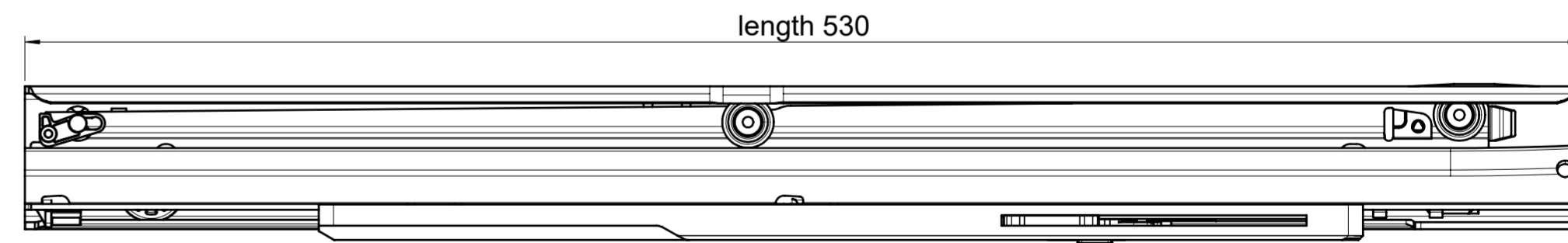
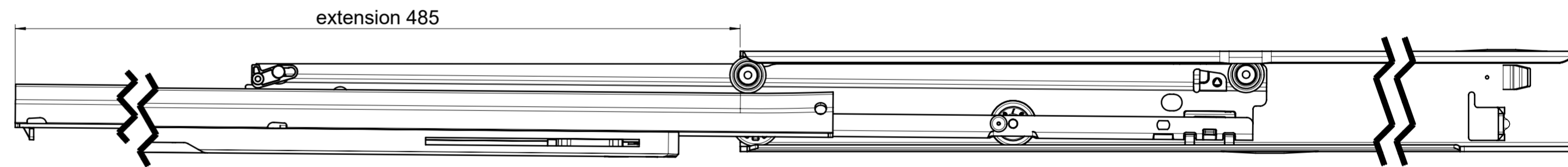
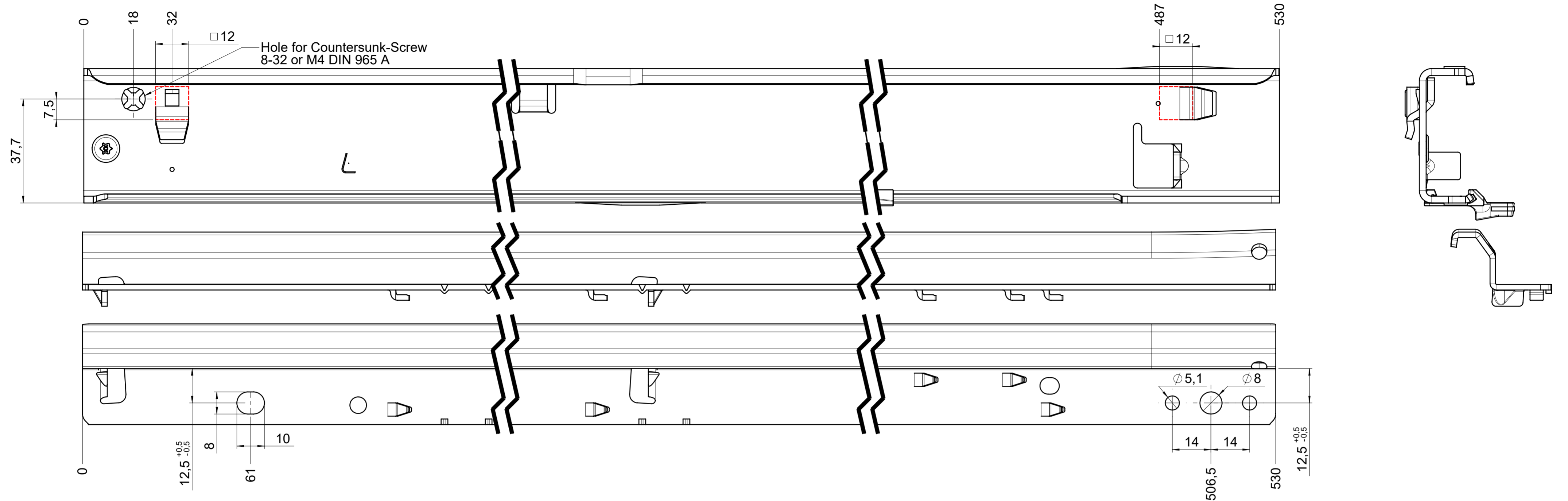


7075A.500-GA.U007

drawn left (right mirrorimage)

dimensions without coating / maximum coating allowed 0.1mm



final approval

customer name:

signed by:

date:

all dimensions in mm

DIN ISO 128-30
missing dimensions see 3D
= theor. intersection

This drawing remains our property and may not be multiplied neither be disclosed to third parties (§§1,3 and 5 from the copyright Act (UrhG)) covered according to DIN ISO 16016				scale: 1:1	surface:	material, semi finished parts: steel (technical requirements Fulterer)	A2
(k)	(l)	(m)	(n)	date	name	description: FR 7075A / 50 EN (mm) progressive-action full-extension drawerslide / bottom mount	drawing number: 7075A.500-GA.U007 replaces version date:
(h)	(g)	(f)	drawn 07-02-2023	BM			
(e)	(d)	(c)	proven 00-00-0000	00			
(a)	changes		date	na.	Fulterer AG & Co KG A-6890 Lustenau / Austria Fulterer AG CH-9430 St. Margrethen		