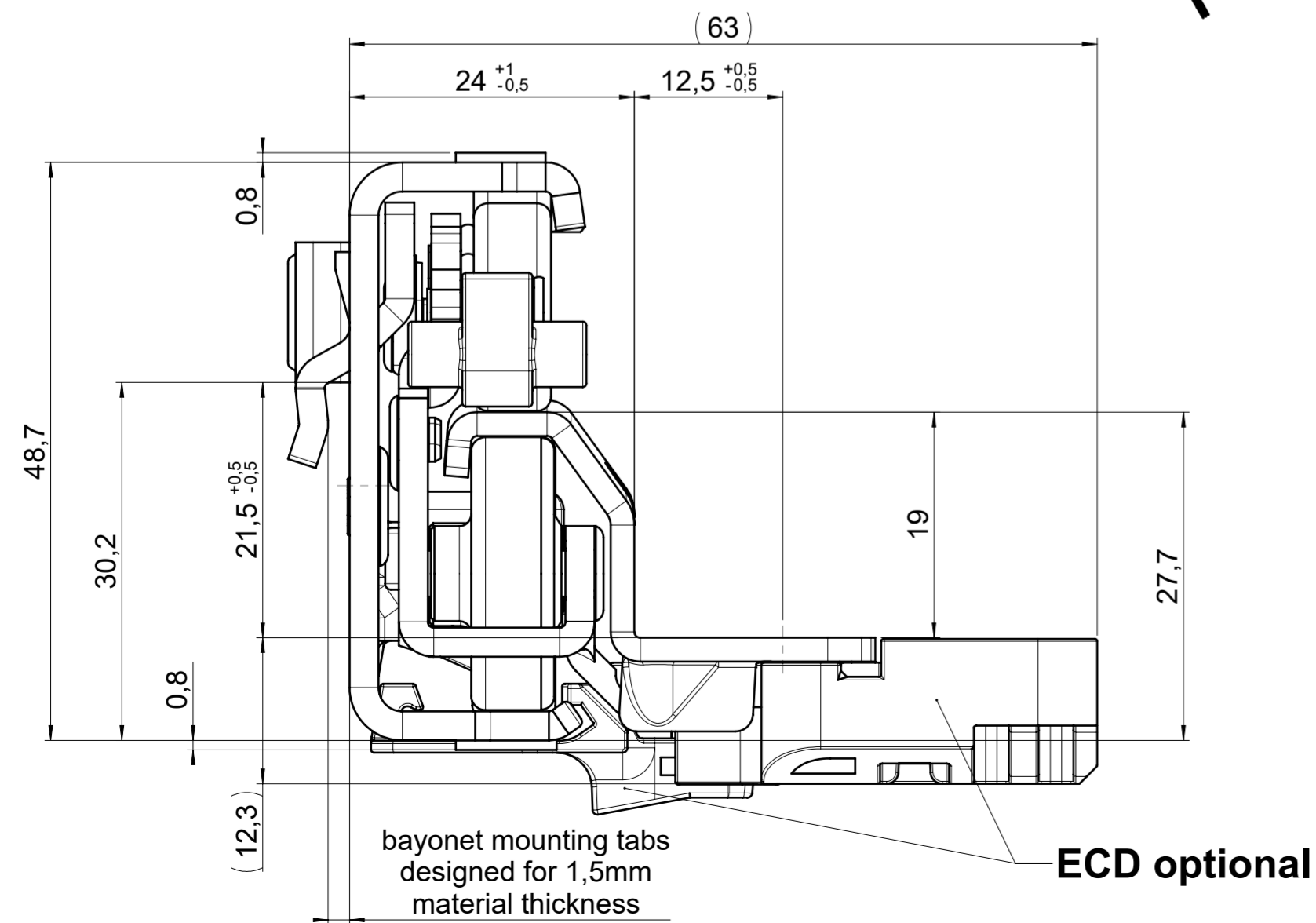
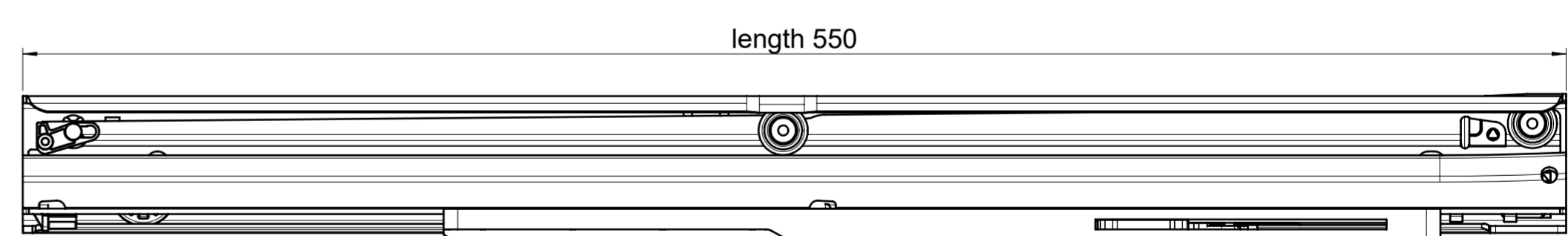
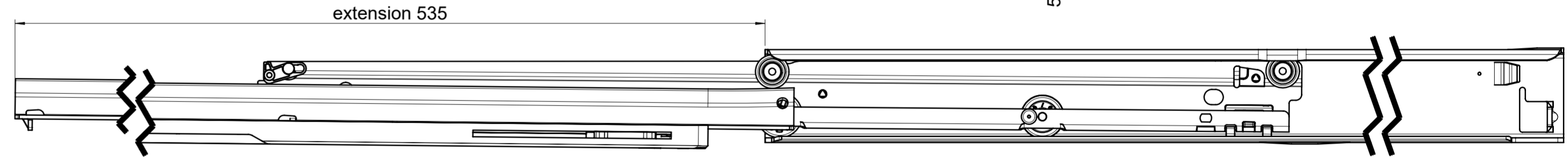
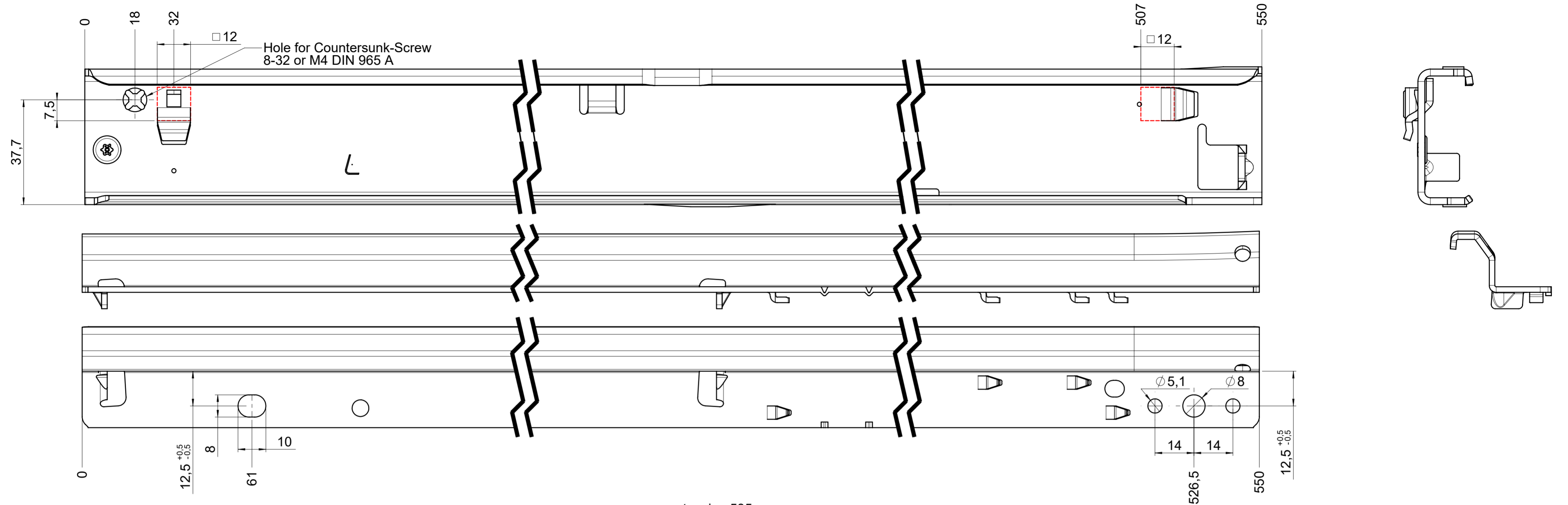


# 7075A.550-GA.U005

drawn left (right mirrorimage)

dimensions without coating / maximum coating allowed 0.1mm



**final approval**

customer name:

signed by:

date:

all dimensions in mm				DIN ISO 128-30 missing dimensions see 3D = theor. intersection	
This drawing remains our property and may not be multiplied neither be disclosed to third parties (§§1,3 and 5 from the copyright Act (UrhG)) covered according to DIN ISO 16016					
scale: 1:1		surface:		material, semi finished parts: steel (technical requirements Fulterer)	
drawn 07-02-2023		date 07-02-2023		name BM	
proven 00-00-0000		proven 00-00-0000		description: FR 7075A / 55 EN (mm) progressive-action full-extension drawerslide / bottom mount	
				drawing number: 7075A.550-GA.U005	
				replaces version date:	
ind.	changes	date	na.		