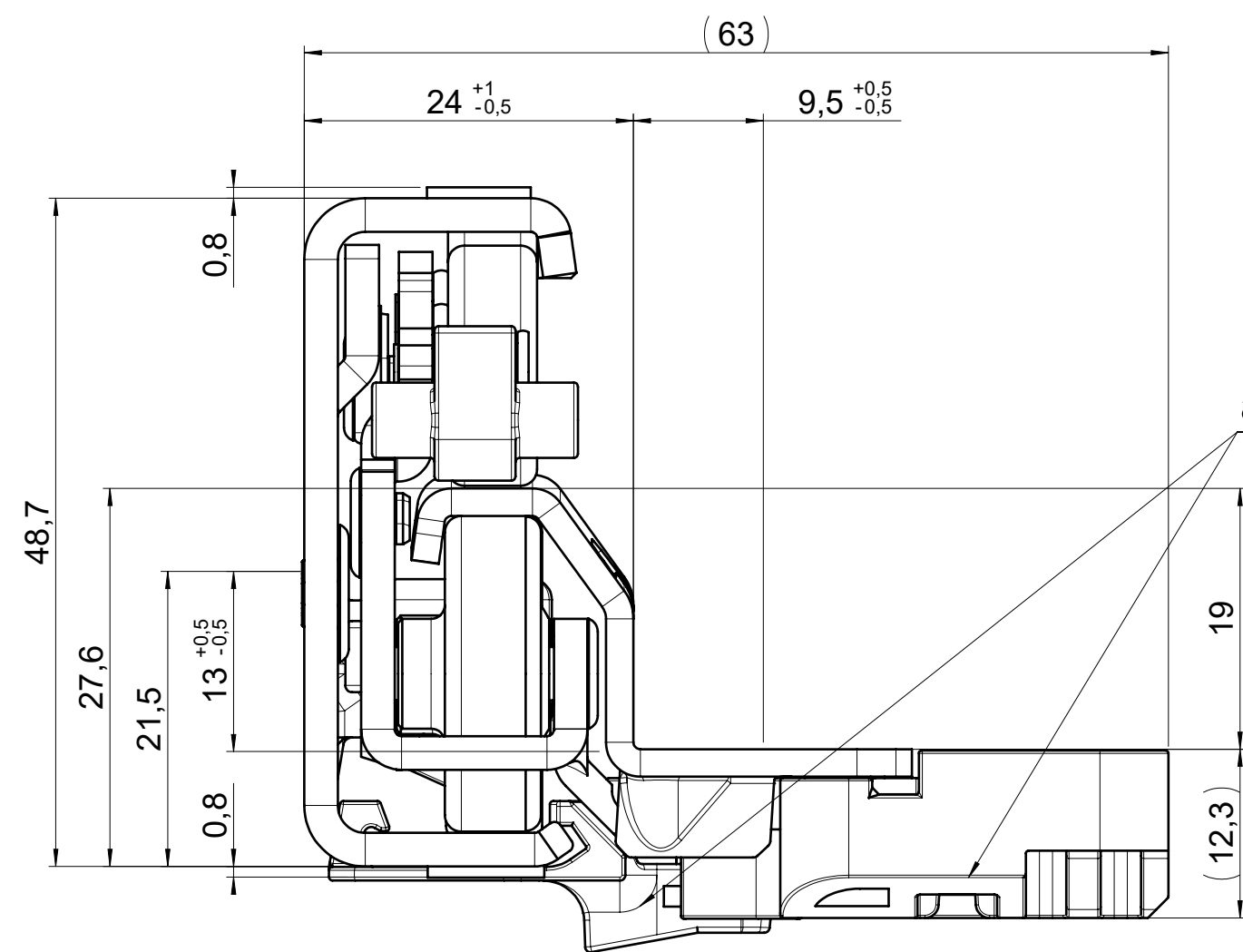
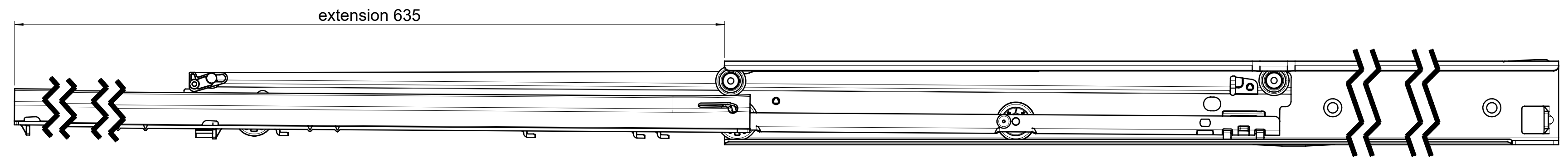
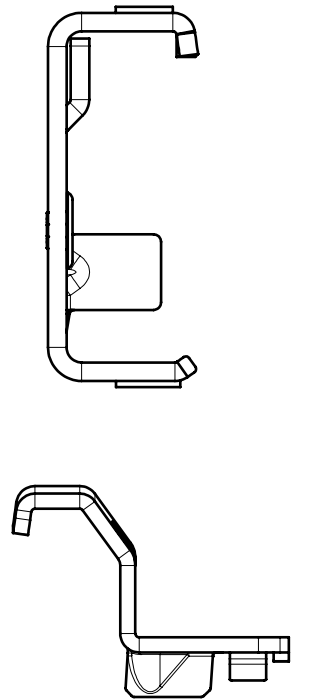
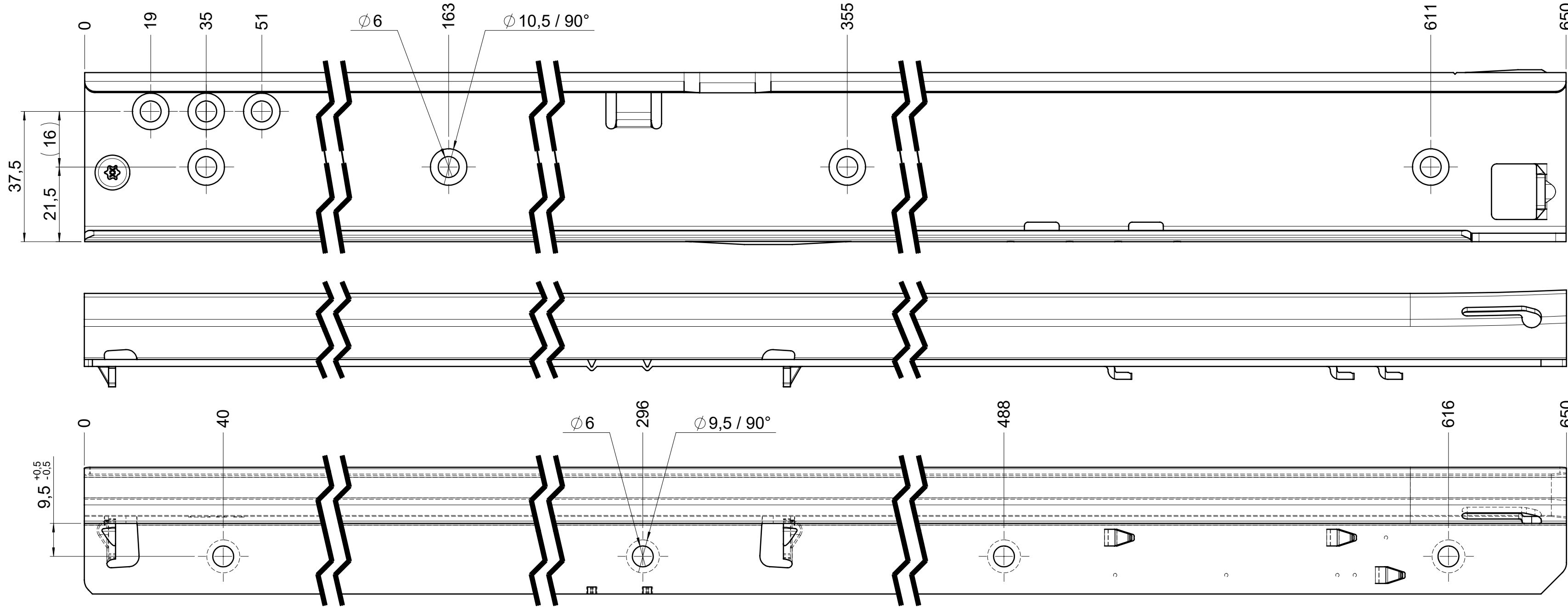


drawn left (right mirrorimage)

dimensions without coating / maximum coating allowed 0.1mm



as an option you can retrofit the ECD

**final approval**

customer name:

signed by:

date:

all dimensions in mm				DIN ISO 128-30 missing dimensions see 3D = theor. intersection	
This drawing remains our property and may not be multiplied neither be disclosed to third parties (§§1,3 and 5 from the copyright Act (UrhG)) covered according to DIN ISO 16016				scale: 1:1	surface: A2
(k)				date	name
(l)				drawn 15-05-2023	FM
(h)				proven 00-00-0000	00
(g)					
(f)					
(e)					
(d)					
(c)					
(b)				<b>Fulterer AG &amp; Co KG</b> A-6890 Lustenau / Austria <b>Fulterer AG</b> CH-9430 St. Margrethen	
(a)				drawing number: <b>7075A.650-GA.0000</b> replaces version date:	
ind.	changes	date	na.		