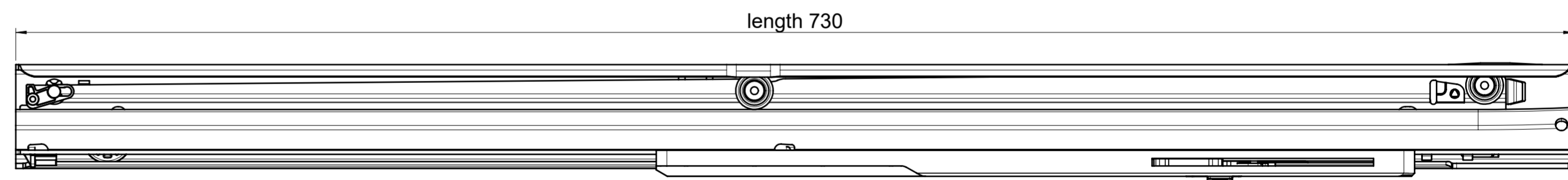
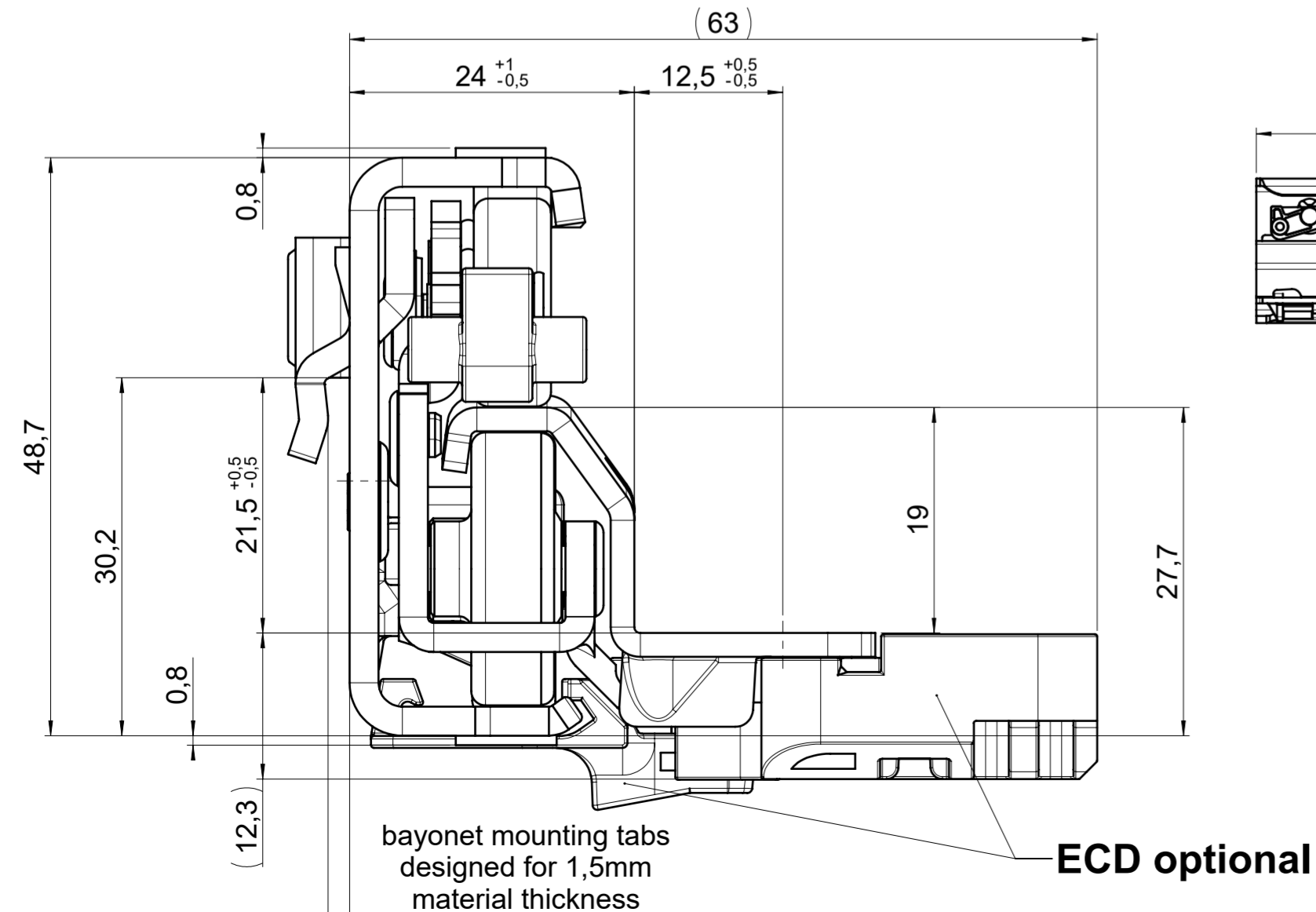
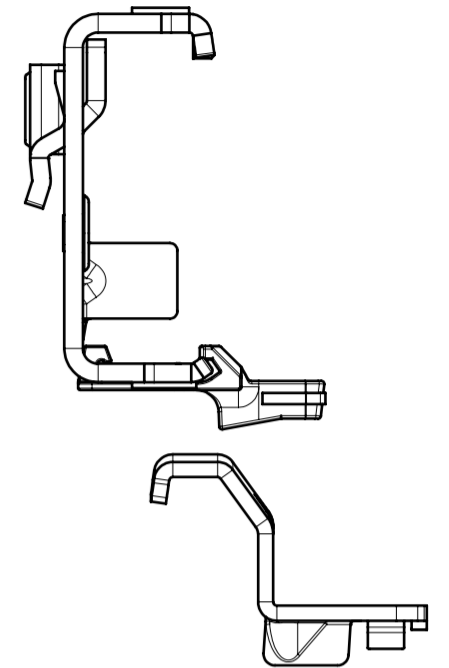
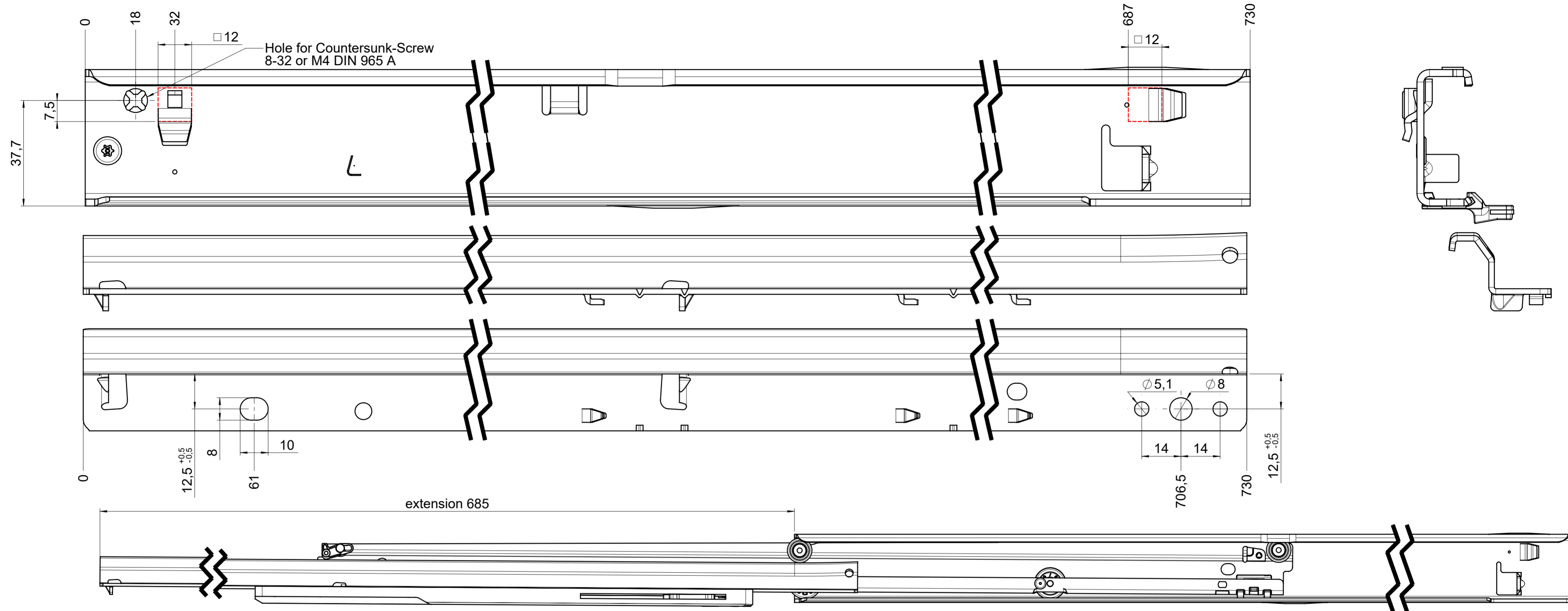


7075A.700-GA.U007

drawn left (right mirrorimage)

dimensions without coating / maximum coating allowed 0.1mm



final approval

customer name:

signed by:

date:

all dimensions in mm			DIN ISO 128-30 missing dimensions see 3D = theor. intersection	
This drawing remains our property and may not be multiplied neither be disclosed to third parties (§§1,3 and 5 from the copyright Act (UrhG)) covered according to DIN ISO 16016				
(k) (l) (m) (n) (o) (p) (q) (r) (s) (t) (u) (v) (w) (x) (y) (z)	scale:	1:1	surface:	material, semi finished parts: steel (technical requirements Fulterer)
	drawn:	07-02-2023	name:	BM
	proven:	00-00-0000		00
	Fulterer Fulterer AG & Co KG A-6890 Lustenau / Austria Fulterer AG CH-9430 St. Margrethen		description: FR 7075A / 70 EN (mm) progressive-action full-extension drawerslide / bottom mount	
	drawing number:		7075A.700-GA.U007	
replaces version date:				
ind.	changes	date	na.	