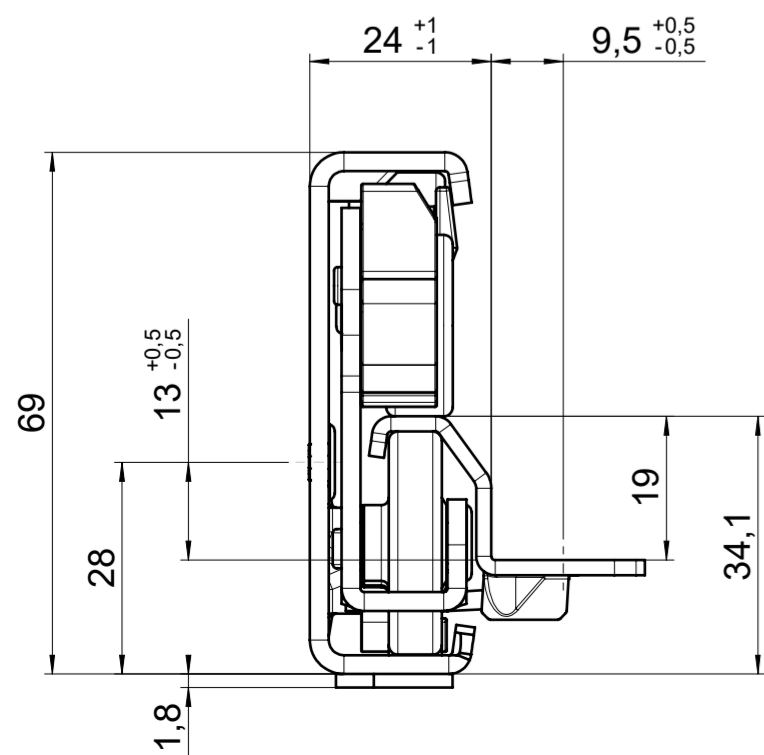
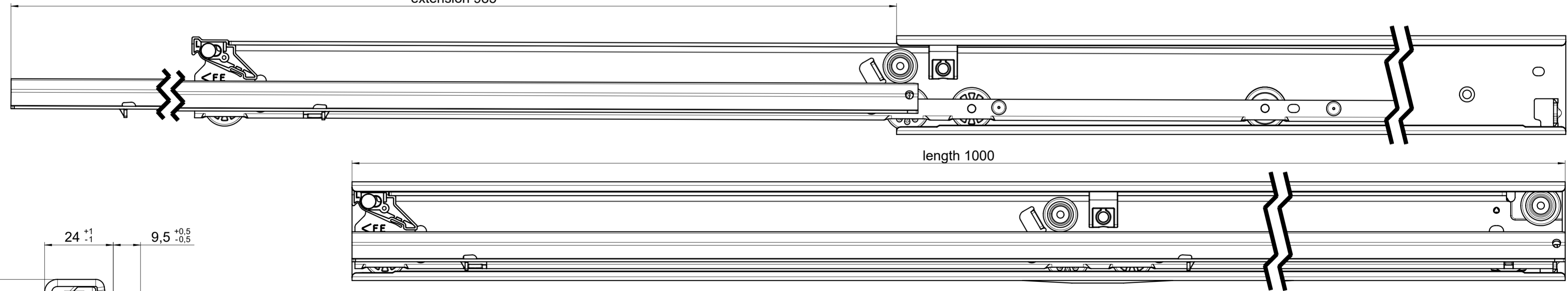
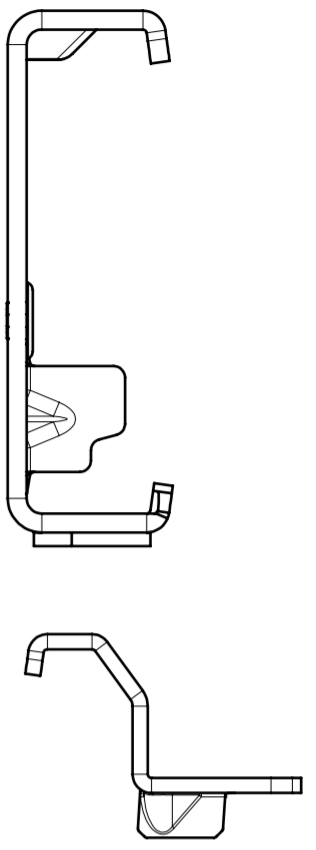
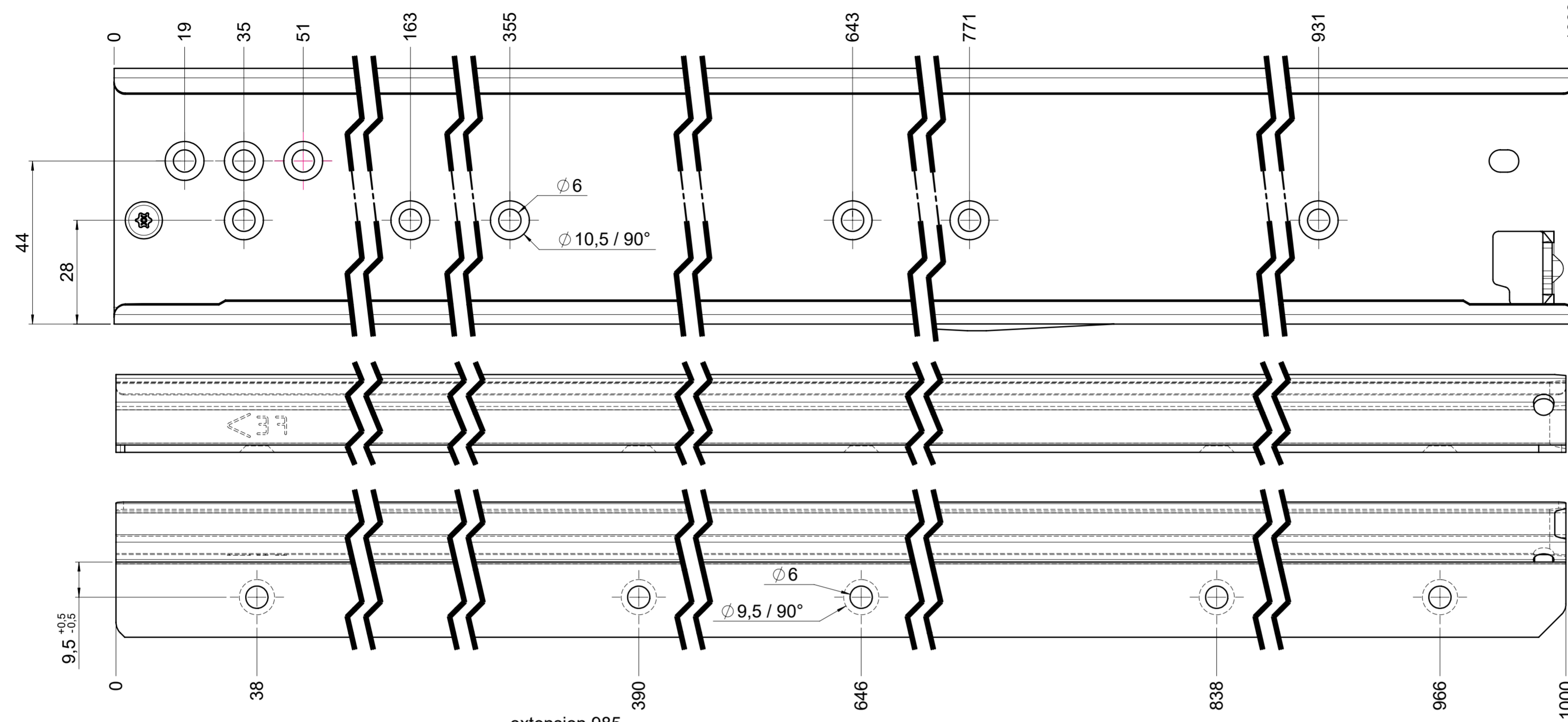


drawn left (right mirrorimage)

dimensions without coating / maximum coating allowed 0.1mm



final approval

customer name:

signed by:

date:

all dimensions in mm

DIN ISO 128-30
missing dimensions see 3D
 = theor. intersection

This drawing remains our property and may not be multiplied neither be disclosed to third parties (§§1,3 and 5 from the copyright Act (UrhG)) covered according to DIN ISO 16016				scale: 1:1	surface:	material, semi finished parts: steel (technical requirements Fulterer)	A2
(k)	(l)	(m)	(n)	(o)	(p)	(q)	(r)
(s)	(t)	(u)	(v)	(w)	(x)	(y)	(z)
(aa)	(ab)	(ac)	(ad)	(ae)	(af)	(ag)	(ah)
(ai)	(aj)	(ak)	(al)	(am)	(an)	(ao)	(ap)
(aq)	(ar)	(as)	(at)	(au)	(av)	(aw)	(ax)
(ay)	(az)	(ba)	(bb)	(bc)	(bd)	(be)	(bf)
(bg)	(bh)	(bi)	(bj)	(bk)	(bl)	(bm)	(bn)
(bo)	(bp)	(bq)	(br)	(bs)	(bt)	(bu)	(bv)
(bw)	(bx)	(by)	(bz)	(ca)	(cb)	(cc)	(cd)
(ce)	(cf)	(cg)	(ch)	(ci)	(cj)	(ck)	(cl)
(cm)	(cn)	(co)	(cp)	(cq)	(cr)	(cs)	(ct)
(cu)	(cv)	(cw)	(cx)	(cy)	(cz)	(da)	(db)
(dd)	(de)	(df)	(dg)	(dh)	(di)	(dj)	(dk)
(dl)	(dm)	(dn)	(do)	(dp)	(dq)	(dr)	(ds)
(dt)	(du)	(dv)	(dw)	(dx)	(dy)	(dz)	(ea)
(eb)	(ec)	(ed)	(ee)	(ef)	(eg)	(eh)	(ei)
(ej)	(ek)	(el)	(em)	(en)	(eo)	(ep)	(eq)
(er)	(es)	(et)	(eu)	(ev)	(ew)	(ex)	(ey)
(ez)	(fa)	(fb)	(fc)	(fd)	(fe)	(ff)	(fg)
(fh)	(fi)	(fj)	(fk)	(fl)	(fm)	(fn)	(fo)
(fp)	(fq)	(fr)	(fs)	(ft)	(fu)	(fv)	(fw)
(fx)	(fy)	(fz)	(ga)	(gb)	(gc)	(gd)	(ge)
(gf)	(gg)	(gh)	(gi)	(gj)	(gk)	(gl)	(gm)
(gn)	(go)	(gp)	(gq)	(gr)	(gs)	(gt)	(gu)
(gv)	(gw)	(gx)	(gy)	(gz)	(ha)	(hb)	(hc)
(hd)	(he)	(hf)	(hg)	(hh)	(hi)	(hj)	(hk)
(hl)	(hm)	(hn)	(ho)	(hp)	(hq)	(hr)	(hs)
(ht)	(hu)	(hv)	(hw)	(hx)	(hy)	(hz)	(ia)
(ib)	(ic)	(id)	(ie)	(if)	(ig)	(ih)	(ii)
(ij)	(ik)	(il)	(im)	(in)	(io)	(ip)	(iq)
(ir)	(is)	(it)	(iu)	(iv)	(iw)	(ix)	(iy)
(iz)	(ja)	(jb)	(jc)	(jd)	(je)	(jf)	(jg)
(jh)	(ji)	(jj)	(jk)	(jl)	(jm)	(jn)	(jo)
(jp)	(jq)	(jr)	(js)	(jt)	(ju)	(jv)	(jw)
(jx)	(jy)	(jz)	(ka)	(kb)	(kc)	(kd)	(ke)
(kf)	(kg)	(kh)	(ki)	(kj)	(kk)	(kl)	(km)
(kn)	(ko)	(kp)	(kq)	(kr)	(ks)	(kt)	(ku)
(kv)	(kw)	(kx)	(ky)	(kz)	(la)	(lb)	(lc)
(ld)	(le)	(lf)	(lg)	(lh)	(li)	(lj)	(lk)
(ll)	(lm)	(ln)	(lo)	(lp)	(lq)	(lr)	(ls)
(lt)	(lu)	(lv)	(lw)	(lx)	(ly)	(lz)	(ma)
(mb)	(mc)	(md)	(me)	(mf)	(mg)	(mh)	(mi)
(mj)	(mk)	(ml)	(mm)	(mn)	(mo)	(mp)	(mq)
(mr)	(ms)	(mt)	(mu)	(mv)	(mw)	(mx)	(my)
(mz)	(na)	(nb)	(nc)	(nd)	(ne)	(nf)	(ng)
(nh)	(ni)	(nj)	(nk)	(nl)	(nm)	(no)	(np)
(nq)	(nr)	(ns)	(nt)	(nu)	(nv)	(nw)	(nx)
(ny)	(nz)	(oa)	(ob)	(oc)	(od)	(oe)	(of)
(og)	(oh)	(oi)	(oj)	(ok)	(ol)	(om)	(on)
(oo)	(op)	(oq)	(or)	(os)	(ot)	(ou)	(ov)
(ow)	(ox)	(oy)	(oz)	(pa)	(pb)	(pc)	(pd)
(pe)	(pf)	(pg)	(ph)	(pi)	(pj)	(pk)	(pl)
(pm)	(pn)	(po)	(pp)	(pq)	(pr)	(ps)	(pt)
(pu)	(pv)	(pw)	(px)	(py)	(pz)	(qa)	(qb)
(qc)	(qd)	(qe)	(qf)	(qg)	(qh)	(qi)	(qj)
(qk)	(ql)	(qm)	(qn)	(qo)	(qp)	(qq)	(qr)
(qs)	(qt)	(qu)	(qv)	(qw)	(qx)	(qy)	(qz)
(ra)	(rb)	(rc)	(rd)	(re)	(rf)	(rg)	(rh)
(ri)	(rj)	(rk)	(rl)	(rm)	(rn)	(ro)	(rp)
(rq)	(rr)	(rs)	(rt)	(ru)	(rv)	(rw)	(rx)
(ry)	(rz)	(sa)	(sb)	(sc)	(sd)	(se)	(sf)
(sg)	(sh)	(si)	(sj)	(sk)	(sl)	(sm)	(sn)
(so)	(sp)	(sq)	(sr)	(ss)	(st)	(su)	(sv)
(sw)	(sx)	(sy)	(sz)	(ta)	(tb)	(tc)	(td)
(te)	(tf)	(tg)	(th)	(ti)	(tj)	(tk)	(tl)
(tm)	(tn)	(to)	(tp)	(tq)	(tr)	(ts)	(tt)
(tu)	(tv)	(tw)	(tx)	(ty)	(tz)	(ua)	(ub)
(uc)	(ud)	(ue)	(uf)	(ug)	(uh)	(ui)	(uj)
(uk)	(ul)	(um)	(un)	(uo)	(up)	(uq)	(ur)
(us)	(ut)	(uu)	(uv)	(uw)	(ux)	(uy)	(uz)
(va)	(vb)	(vc)	(vd)	(ve)	(vf)	(vg)	(vh)
(vi)	(vj)	(vk)	(vl)	(vm)	(vn)	(vo)	(vp)
(vq)	(vr)	(vs)	(vt)	(vu)	(vv)	(vw)	(vx)
(vy)	(vz)	(wa)	(wb)	(wc)	(wd)	(we)	(wf)
(wg)	(wh)	(wi)	(wj)	(wk)	(wl)	(wm)	(wn)
(wo)	(wp)	(wq)	(wr)	(ws)	(wt)	(wu)	(wv)
(ww)	(wx)	(wy)	(wz)	(xa)	(xb)	(xc)	(xd)
(xe)	(xf)	(xg)	(xh)	(xi)	(xj)	(xk)	(xl)
(xm)	(xn)	(xo)	(xp)	(xq)	(xr)	(xs)	(xt)
(xu)	(xv)	(xw)	(xx)	(xy)	(xz)	(ya)	(yb)
(yc)	(yd)	(ye)	(yf)	(yg)	(yh)	(yi)	(yj)
(yk)	(yl)	(ym)	(yn)	(yo)	(yp)	(yq)	(yr)
(ys)	(yt)	(yu)	(yv)	(yw)	(yx)	(yz)	(za)
(zb)	(zc)	(zd)	(ze)	(zf)	(zg)	(zh)	(zi)
(zj)	(zk)	(zl)	(zm)	(zn)	(zo)	(zp)	(zq)
(zr)	(zs)	(zt)	(zu)	(zv)	(zw)	(zx)	(zy)
(zz)							