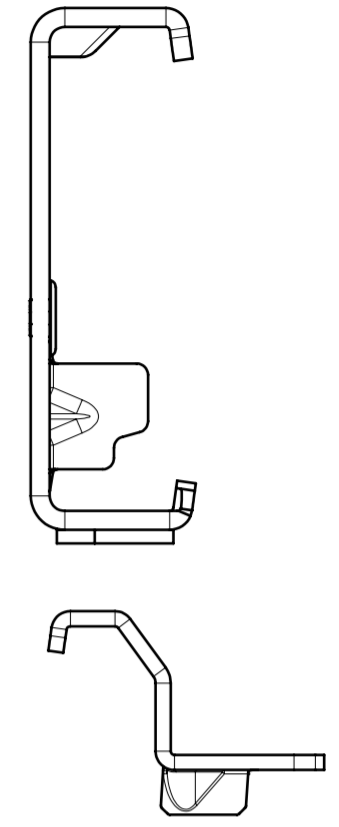
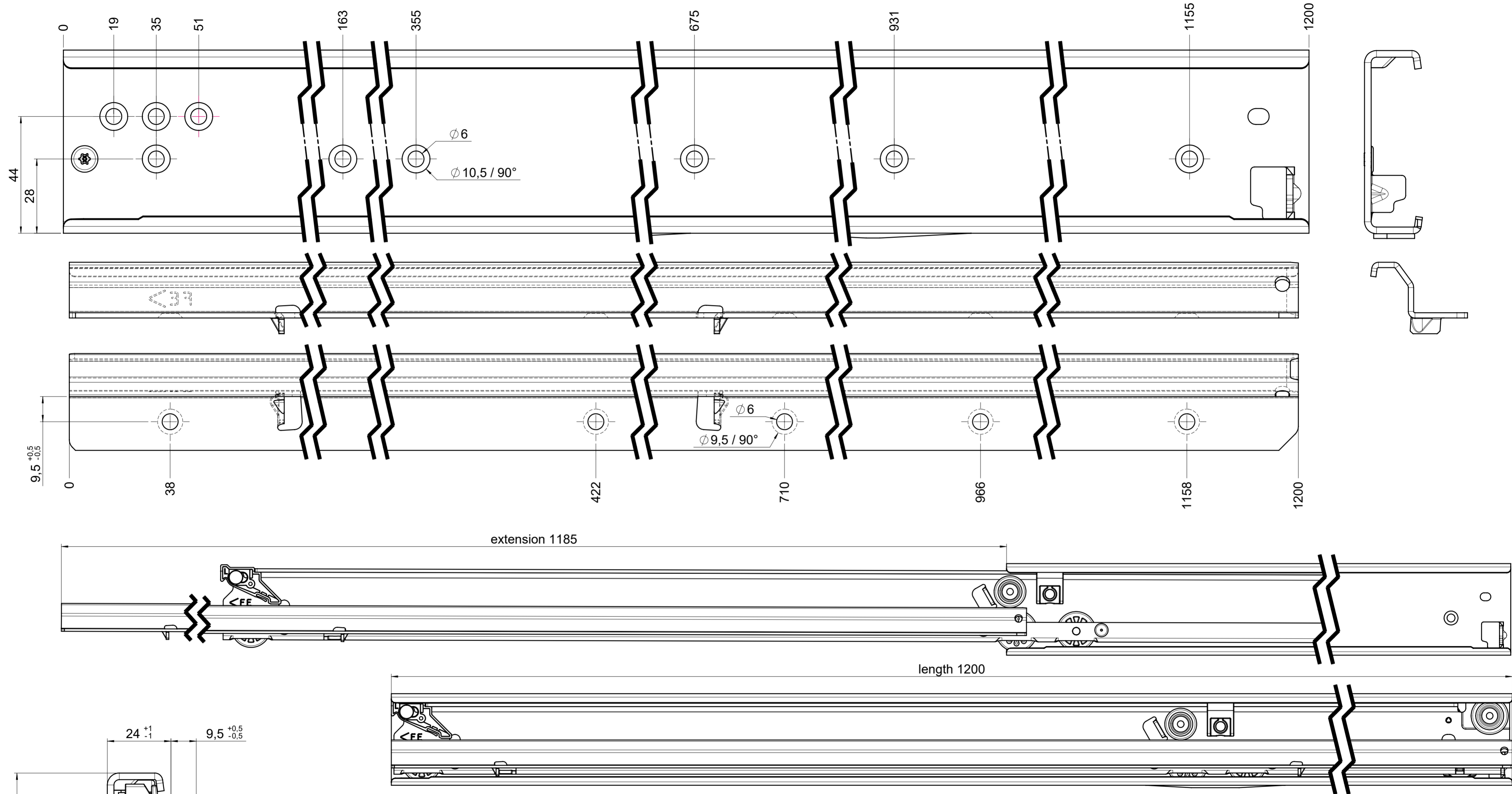


drawn left (right mirrorimage)

dimensions without coating / maximum coating allowed 0.1mm



final approval

customer name:

signed by:

date:

all dimensions in mm				DIN ISO 128-30 missing dimensions see 3D = theor. intersection	
This drawing remains our property and may not be multiplied neither be disclosed to third parties (§§1,3 and 5 from the copyright Act (UrhG)) covered according to DIN ISO 16016				scale: 1:1	surface: steel
(k)				date: 22-12-2022	name: BM
(l)				drawn: 00-00-0000	proven: 00
(m)				Fulterer	
(n)					
(o)				Fulterer AG & Co KG A-6890 Lustenau / Austria	
(p)				Fulterer AG CH-9430 St. Margrethen	
(q)				drawing number: 7180.1200-GA.0000	
(r)				replaces version date:	
(s)					
(t)					
(u)					
(v)					
(w)					
(x)					
(y)					
(z)					
ind.	changes	date	na.		