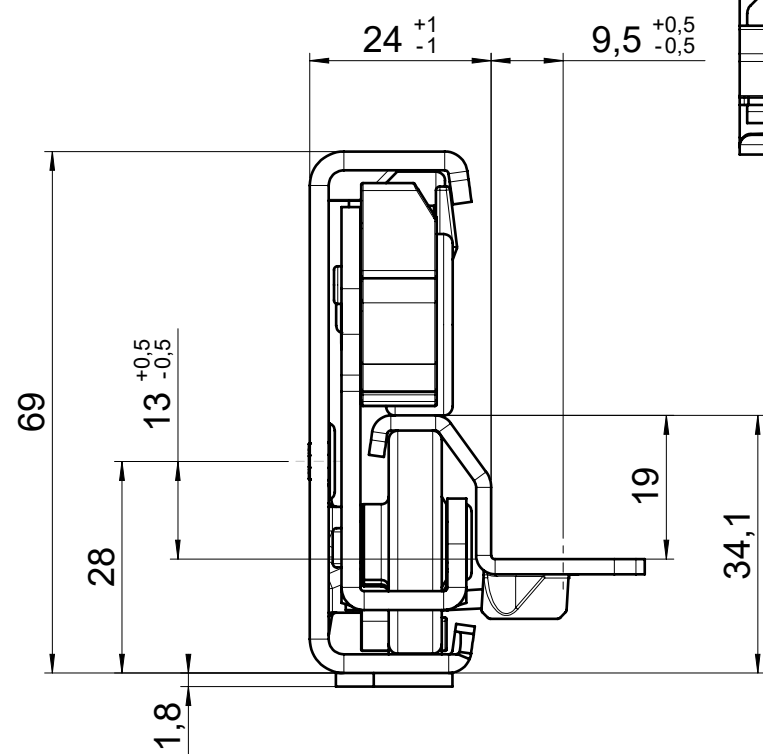
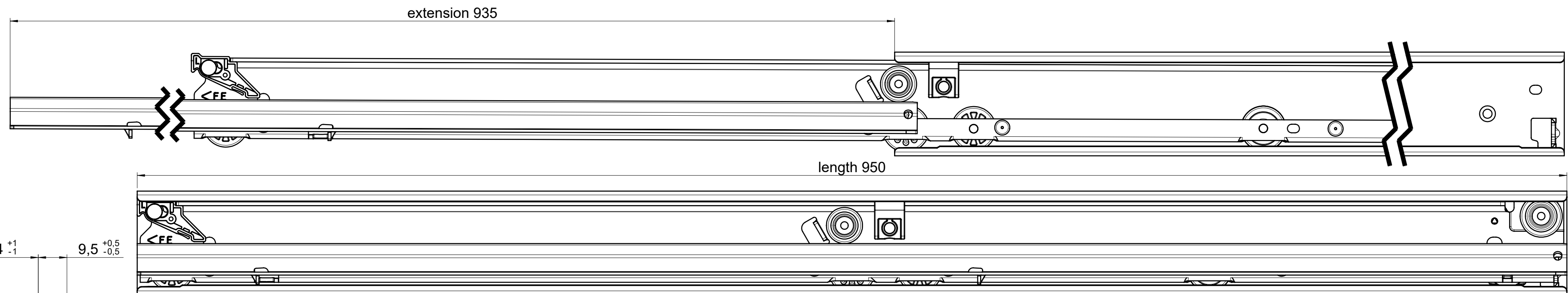
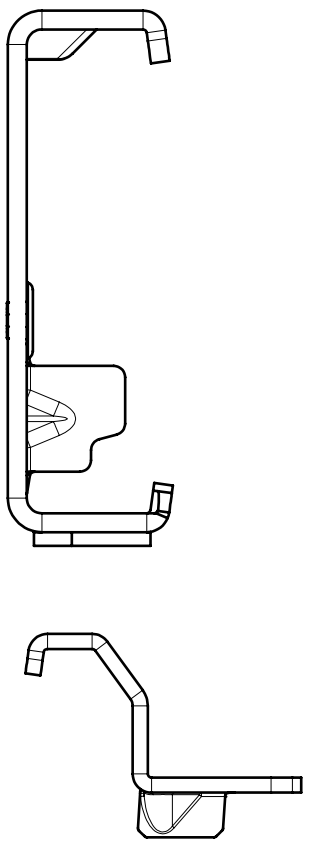
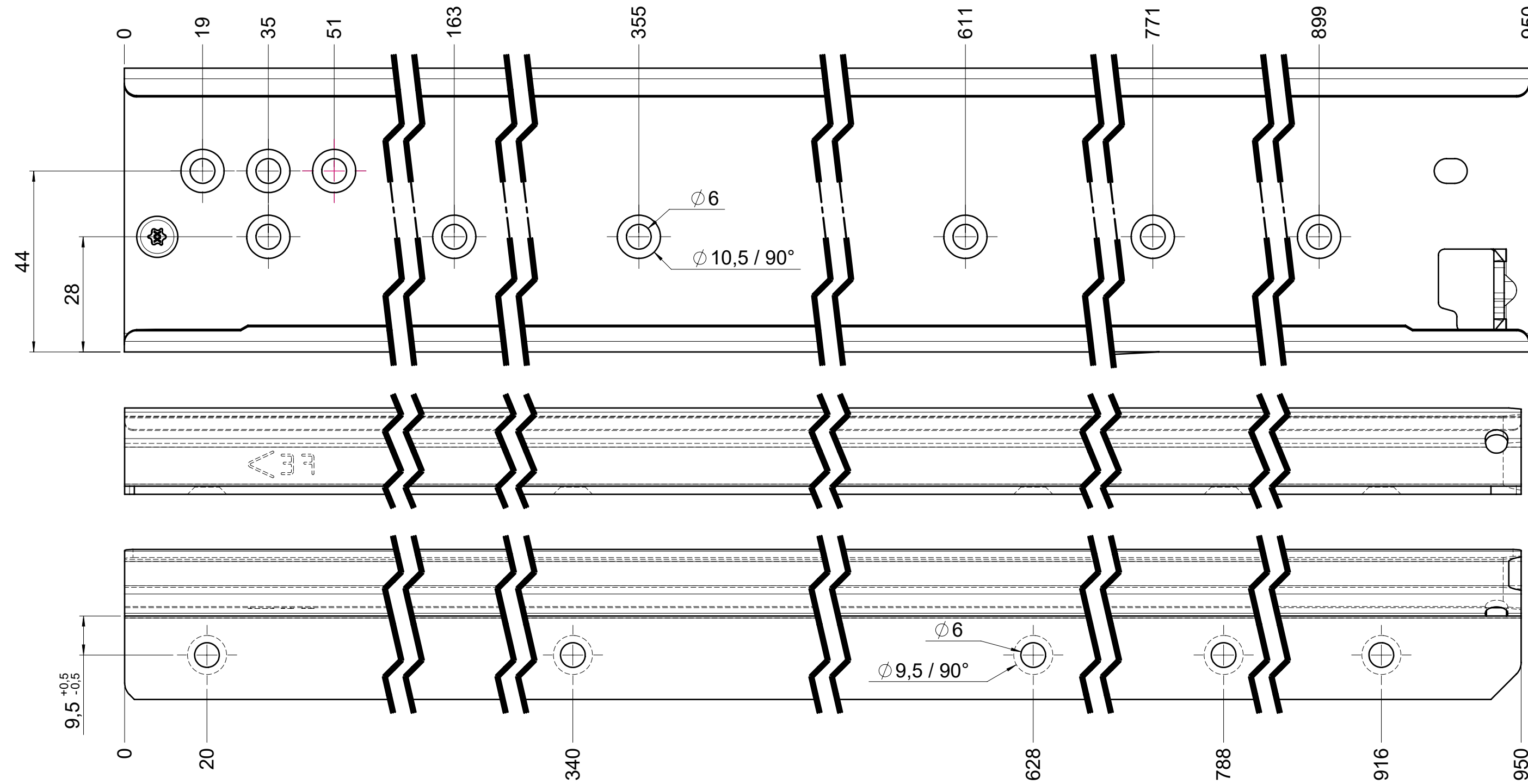


drawn left (right mirrorimage)

dimensions without coating / maximum coating allowed 0.1mm



**final approval**

customer name:

signed by:

date:

**all dimensions in mm**

DIN ISO 128-30  
missing dimensions see 3D  
 = theor. intersection

This drawing remains our property and may not be multiplied neither be disclosed to third parties (§§1,3 and 5 from the copyright Act (UrhG)) covered according to DIN ISO 16016				scale: 1:1	surface:	material, semi finished parts: steel (technical requirements Fulterer)	A2
(k)	(l)	(m)	(n)	date	name	description: FR 7180 / 95 EN (mm) progressive-action full-extension drawerslide / bottom mount	drawing number: <b>7180.0950-GA.0000</b> replaces version date:
(o)	(p)	(q)	drawn	22-12-2022	BM		
(r)	(s)	(t)	proven	00-00-0000	00		
(e)	(f)	(g)	<b>Fulterer</b>		Fulterer AG & Co KG A-6890 Lustenau / Austria		
(d)	(c)	(b)	Fulterer AG		CH-9430 St. Margrethen		
(a)	ind.		changes	date	na.		