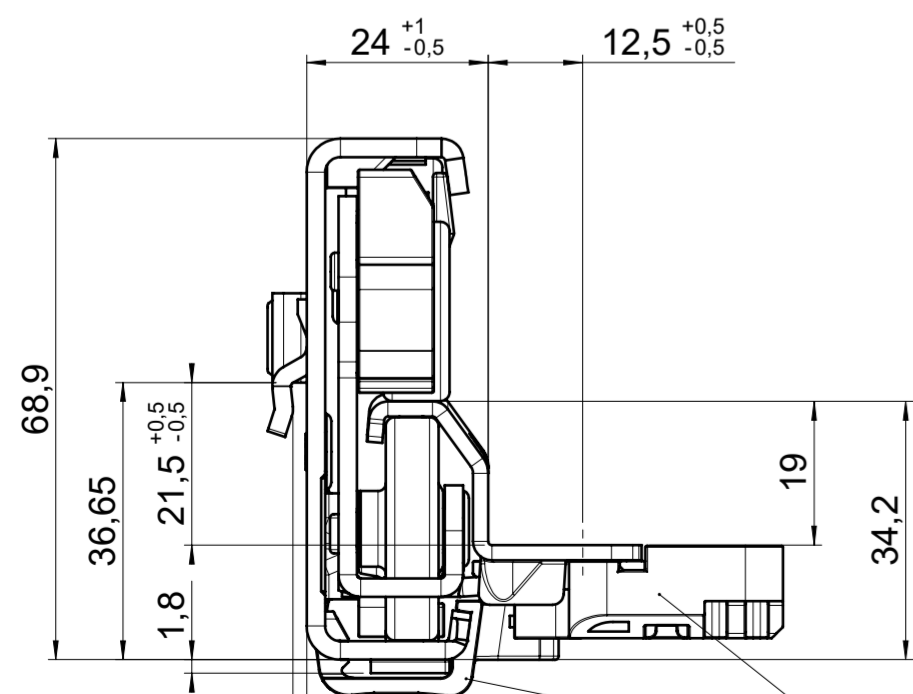
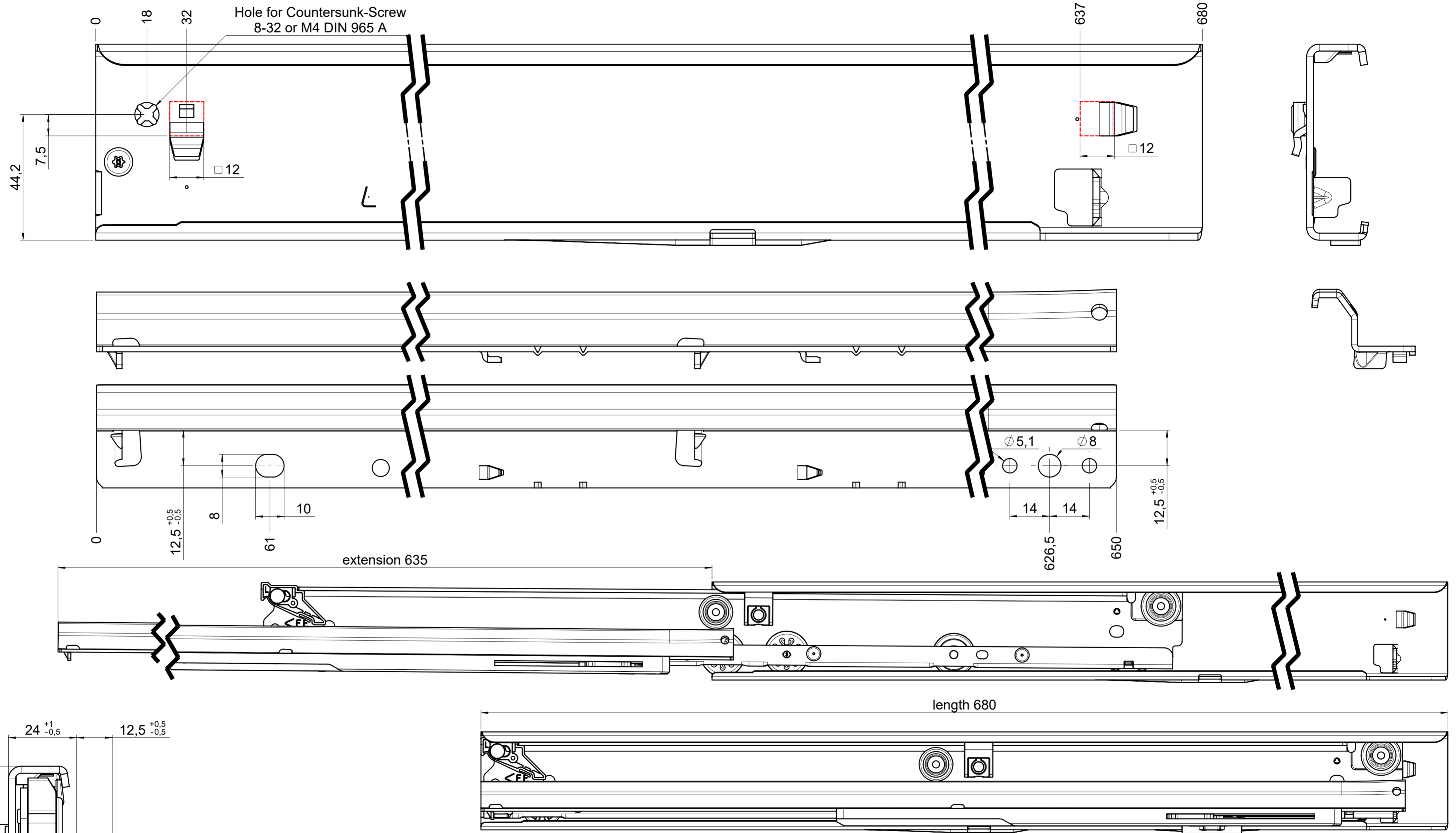


7180A.650-GA.U016

drawn left (right mirrorimage)

dimensions without coating / maximum coating allowed 0.1mm



bayonet mounting tabs
designed for 1,5mm
material thickness

ECD optional

final approval

customer name:

signed by:

date:

all dimensions in mm

DIN ISO 128-30
missing dimensions see 3D
= theor. intersection

This drawing remains our property and may not be multiplied neither be disclosed to third parties (§§1,3 and 5 from the copyright Act (UrhG)) covered according to DIN ISO 16016				scale: 1:1	surface:	material, semi finished parts:	A2
(k)	(l)	(m)	(n)	date	name	steel	(technical requirements Fulterer)
(o)	(p)	(q)	(r)	drawn 27-03-2023	BM	description: FR 7180A / 65 EN (mm) progressive-action full-extension drawerslide / bottom mount	
(s)	(t)	(u)	(v)	proven 00-00-0000	00		drawing number: 7180A.650-GA.U016
(w)	(x)	(y)	(z)	Fulterer		replaces version date:	
(aa)	(ab)	(ac)	(ad)	Fulterer AG & Co KG A-6890 Lustenau / Austria			
(ae)	(af)	(ag)	(ah)	Fulterer AG CH-9430 St. Margrethen			
(ai)	(aj)	(ak)	(al)	changes	date	na.	