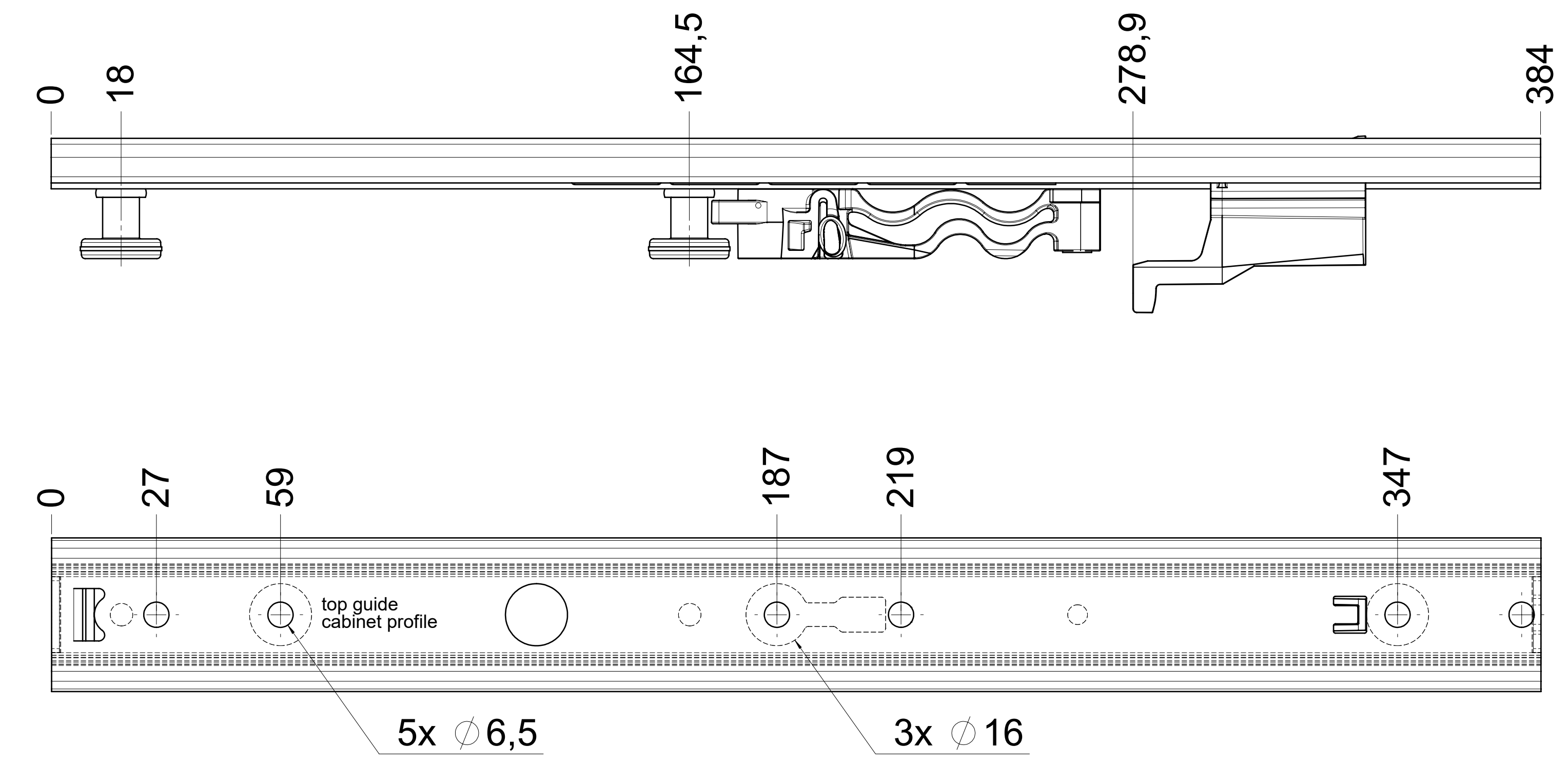
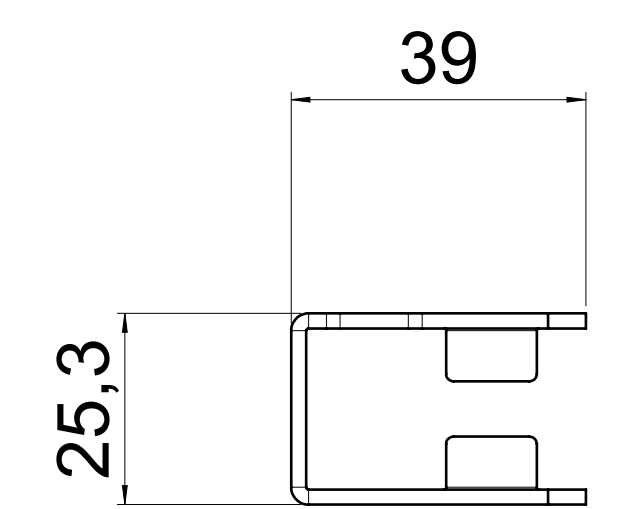
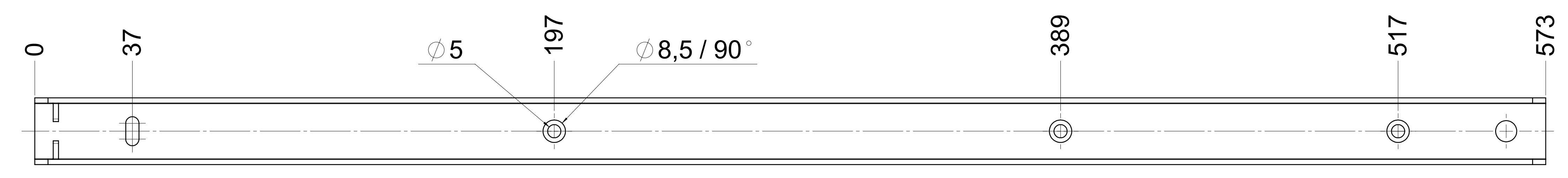


dimensions without coating / maximum coating allowed 0.1mm

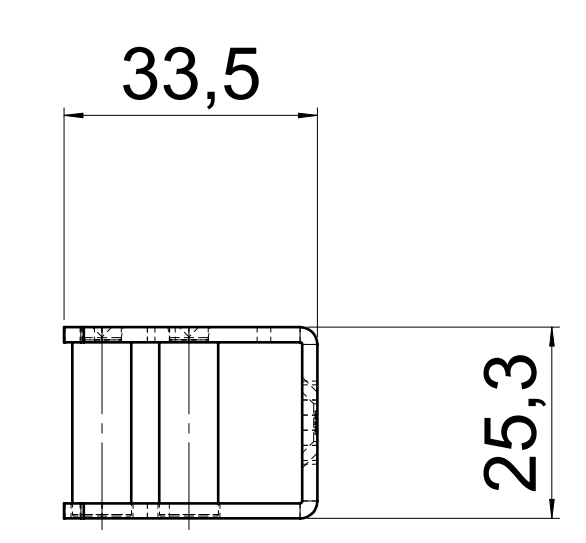
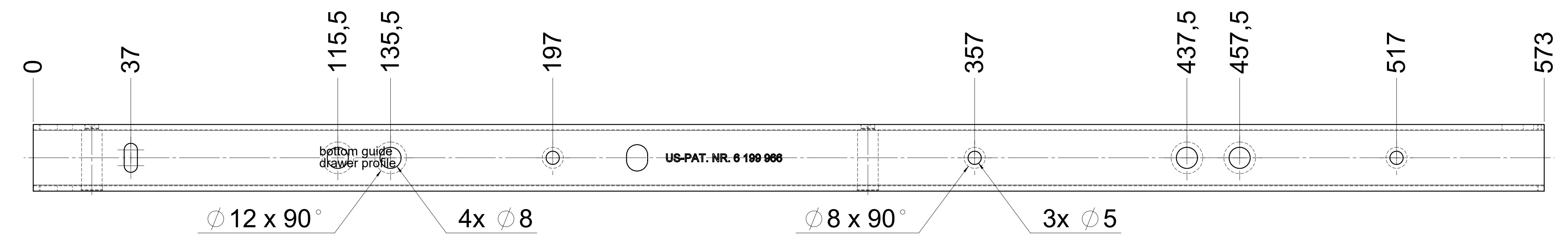
top guide cabinet profile



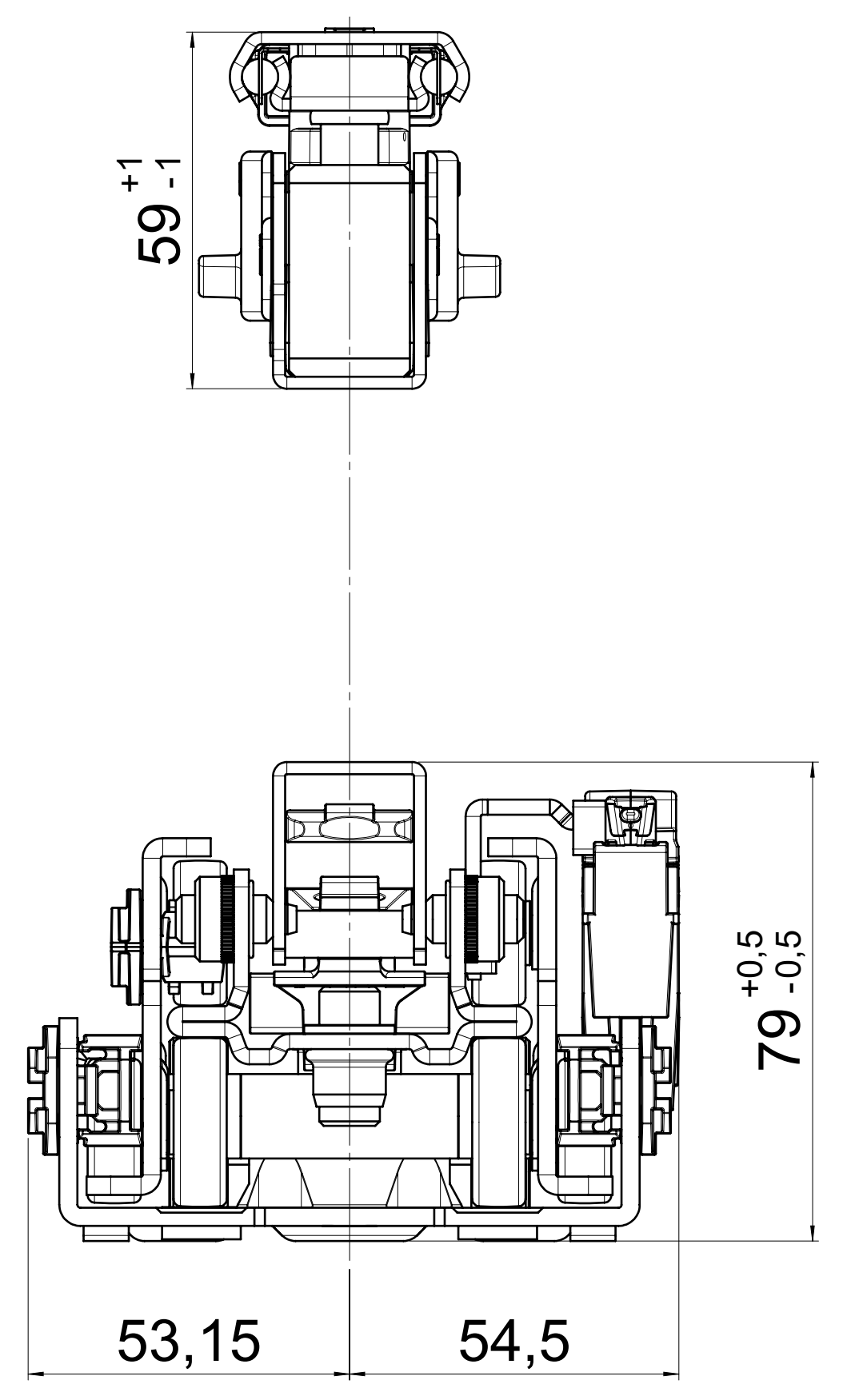
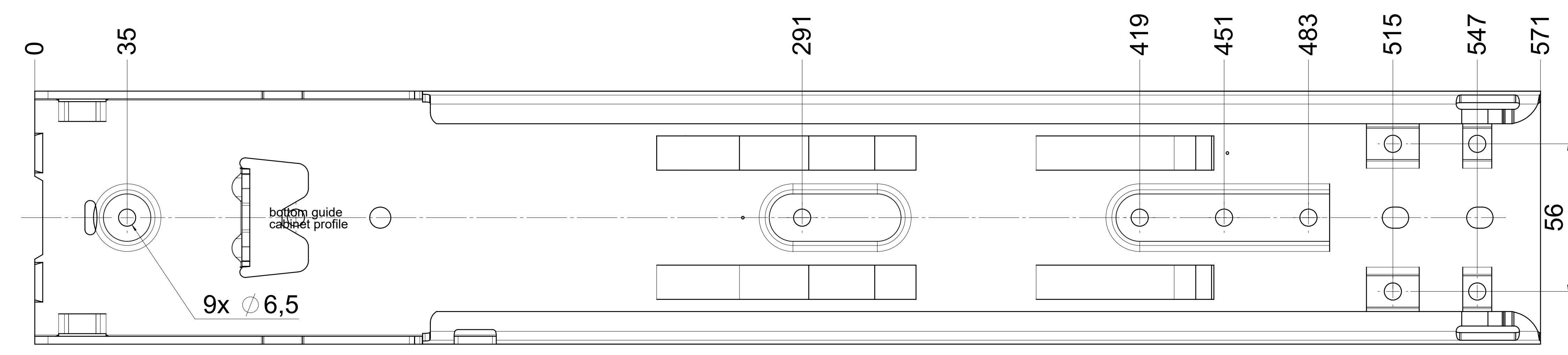
top guide drawer profile



bottom guide drawer profile



bottom guide cabinet profile



final approval

customer name:

signed by:

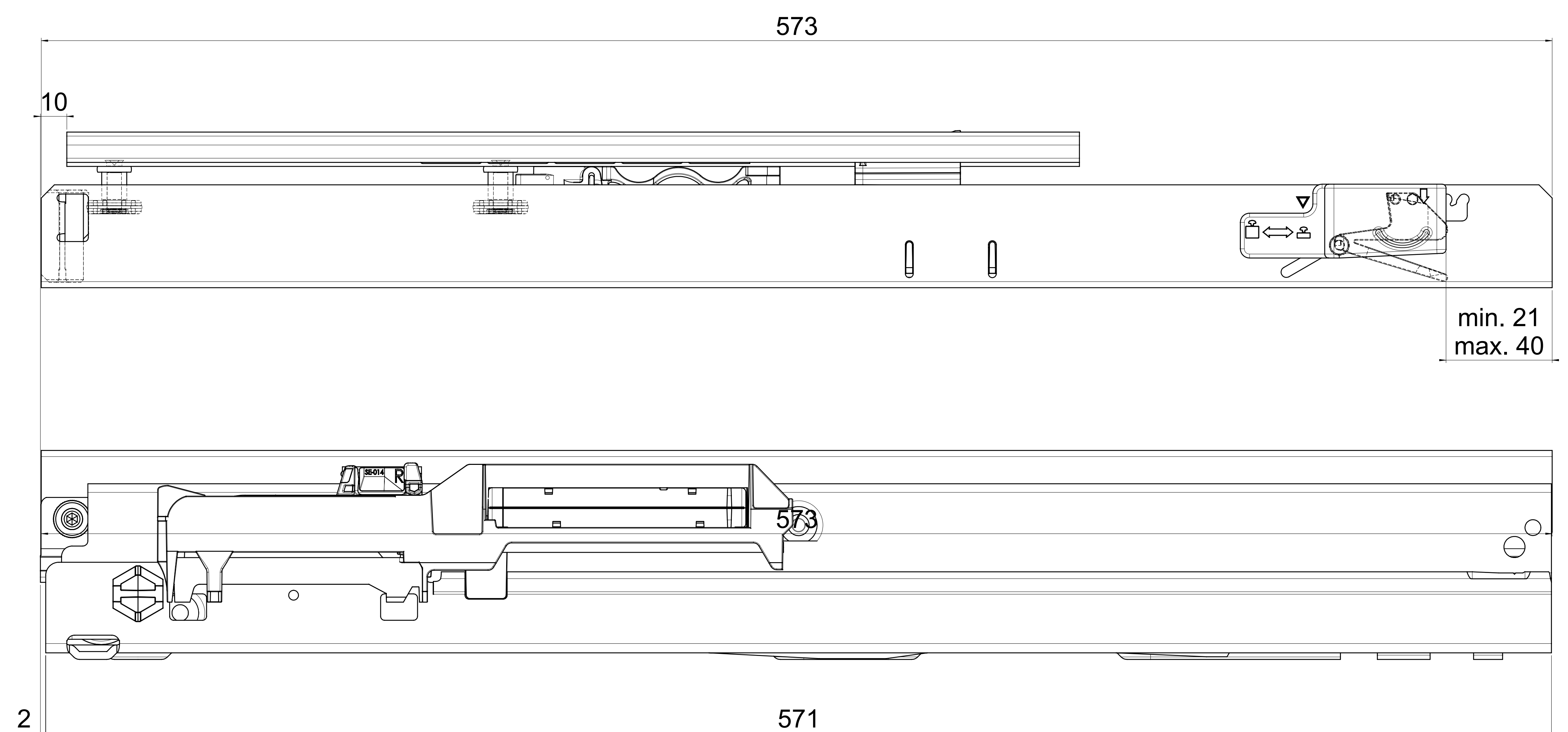
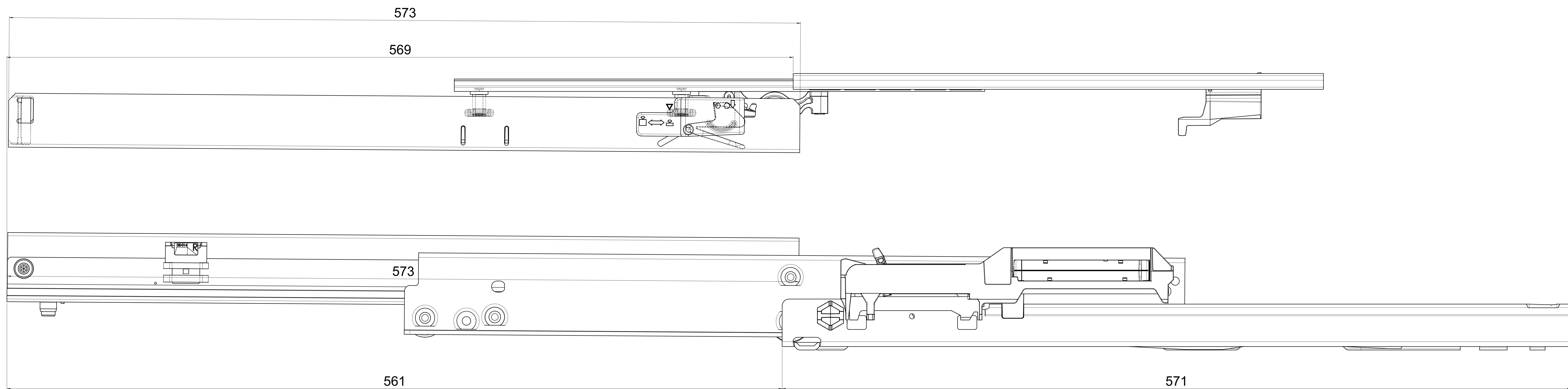
date:

<p>all dimensions in mm</p> <p>This drawing remains our property and may not be multiplied neither be disclosed to third parties (§§1,3 and 5 from the copyright Act (UrhG)) covered according to DIN ISO 15015</p>		<p>DIN ISO 128-30 missing dimensions see 3D = theor. intersection</p>	
scale:	1:1	surface:	steel (technical requirements Filterer)
drawn:	07-12-2022	name:	GB
proven:	09-09-2000	description:	FR 771A / 57,5 EN (mm) progressive-action full-extension drawerslide / bottom mount
<p>Filterer</p> <p>Filterer AG & Co KG A-6890 Lustenau / Austria CH-8430 St. Margrethen</p>		<p>drawing number: 771A ECD.575-GA.0000 replaces version date:</p>	
changes:	date:	na:	part no.:

☒ = check dimension, next free check number ☒

dimensions without coating / maximum coating allowed 0.1mm

X



final approval

customer name: _____

signed by: _____

date: _____

page 2 of 2 = check dimension, next free check number

<p>all dimensions in mm</p> <p>This drawing remains our property and may not be multiplied neither be disclosed to third parties (§§1,3 and 5 from the copyright Act (UrhG)) covered according to DIN ISO 16016</p>				<p>DIN ISO 128-30 missing dimensions see 3D = theor. intersection</p>
scale:	1:1	surface:	steel (technical requirements Filterer)	material: semi finished parts: AO
drawn:	07-12-2022	name:	GB	description:
proven:	00-00-0000	date:	00	FR 771A / 57,5 EN (mm) progressive-action full-extension drawerslide / bottom mount
<p>Filterer</p> <p>Filterer AG & Co KG A-6800 Lustenau / Austria Filterer AG CH-8430 St. Margrethen</p>				<p>drawing number: 771A ECD.575-GA.0000 replaces version date:</p>
changes	date	na.	na.	part no.