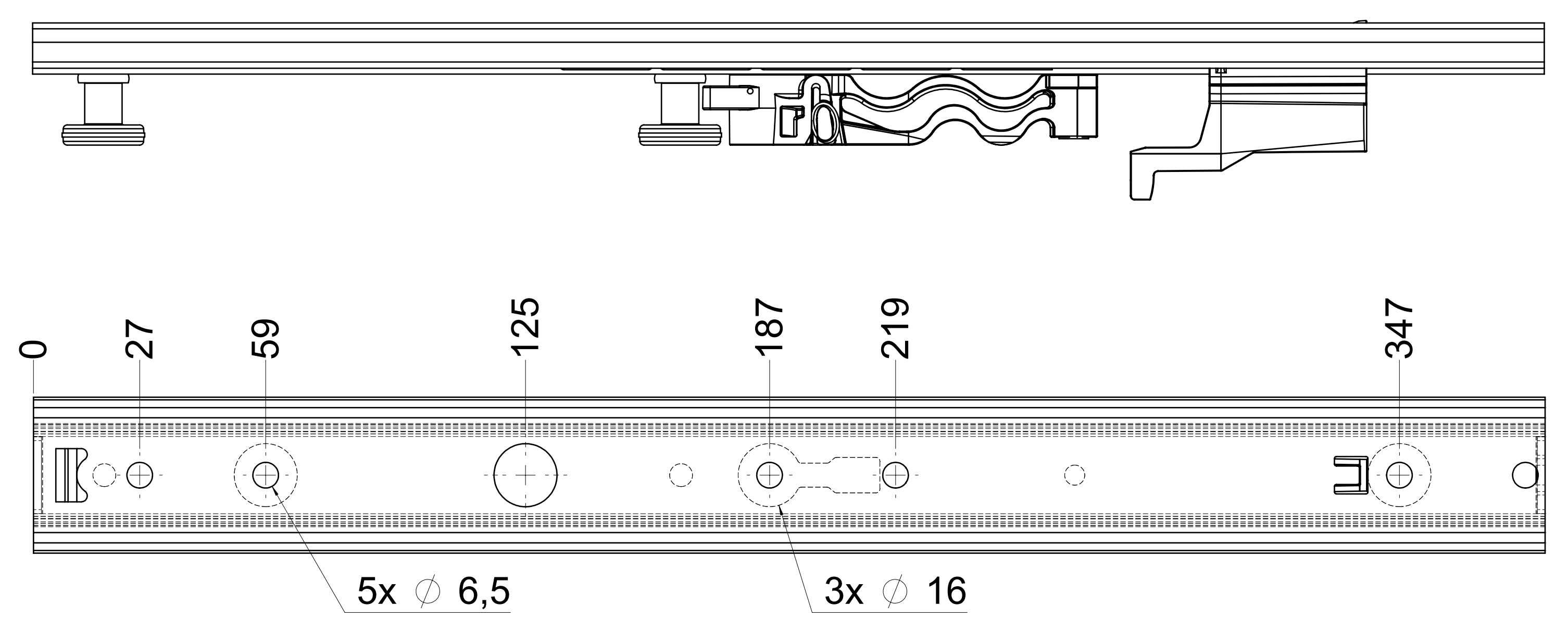
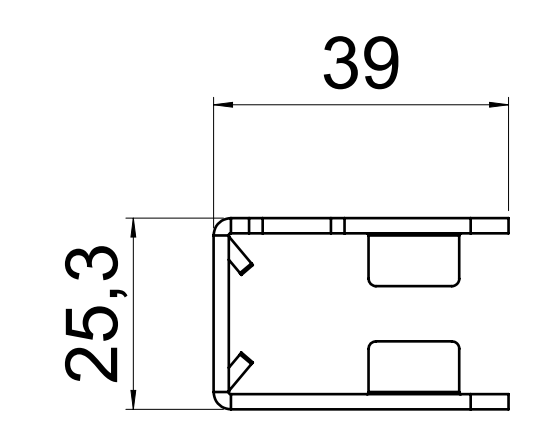
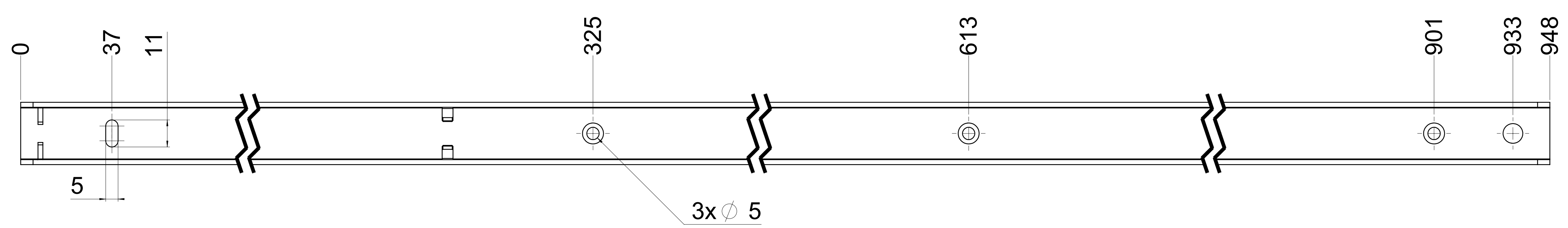


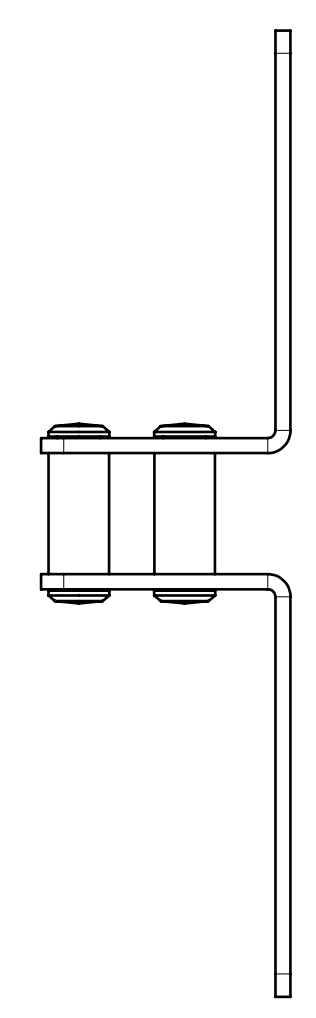
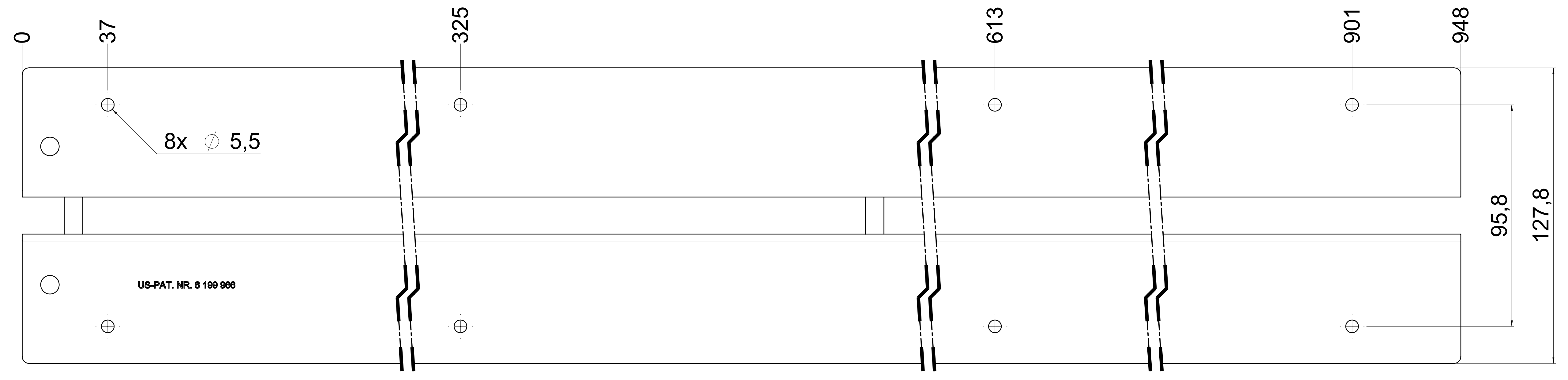
top guide cabinet profile



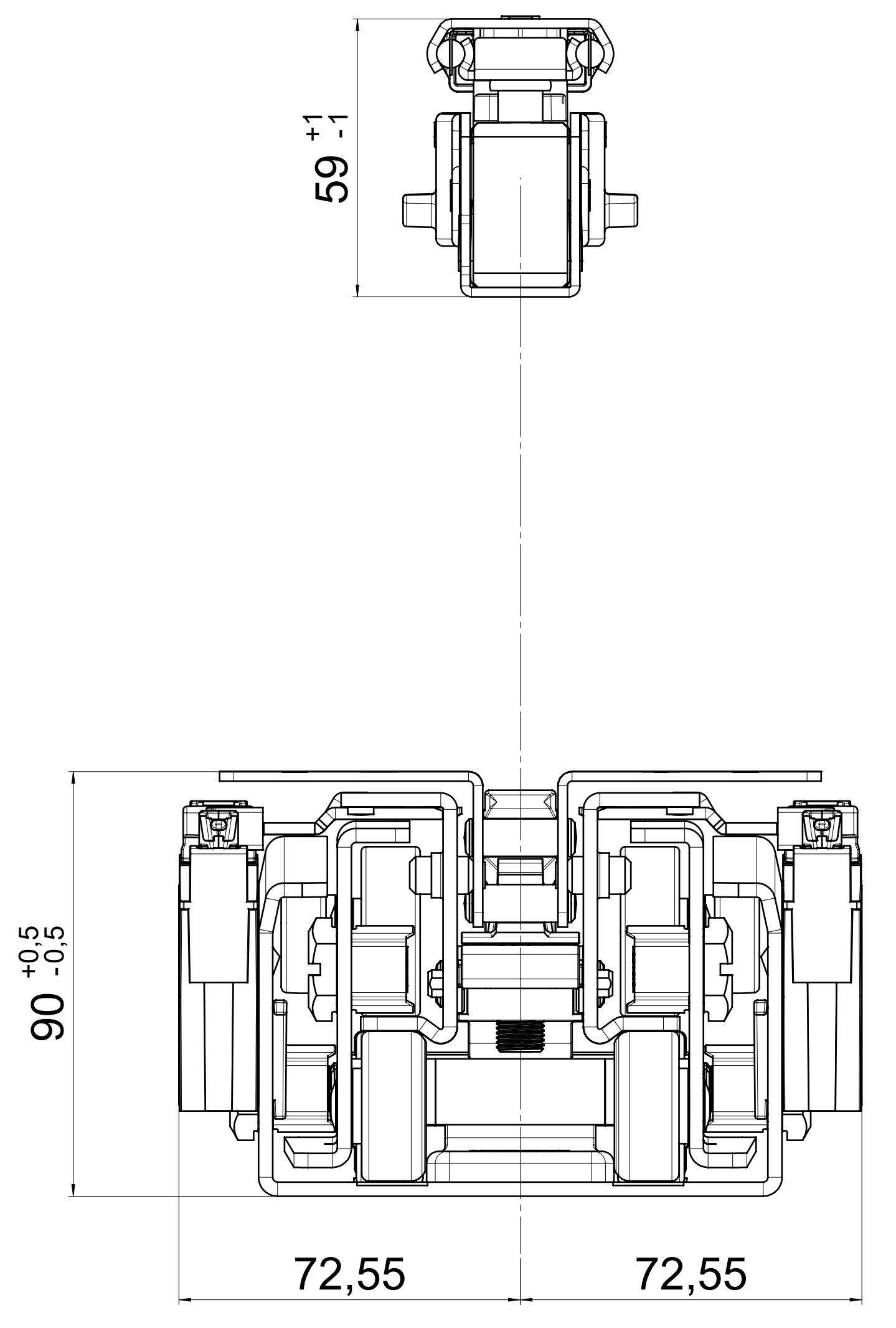
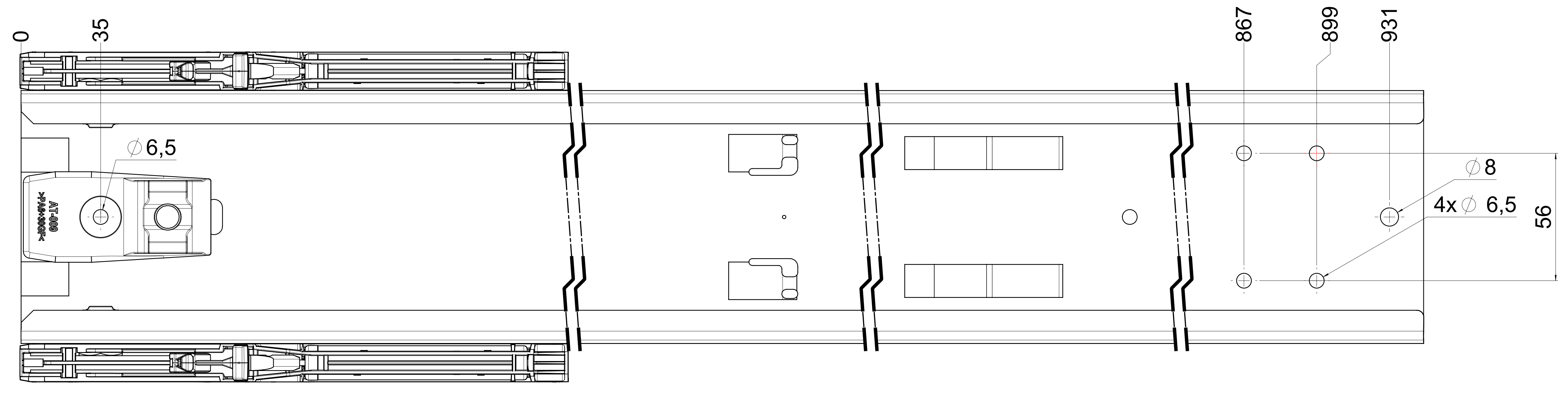
top guide drawer profile



bottom guide drawer profile



bottom guide cabinet profile



**final approval**

customer name: \_\_\_\_\_

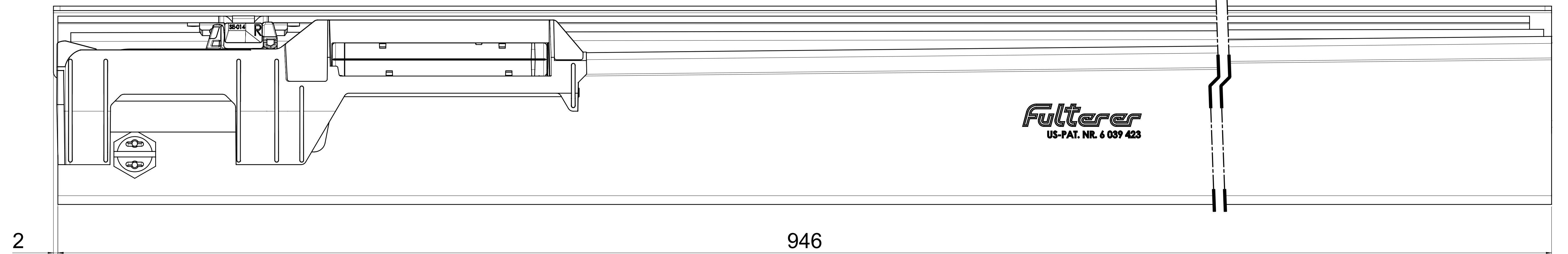
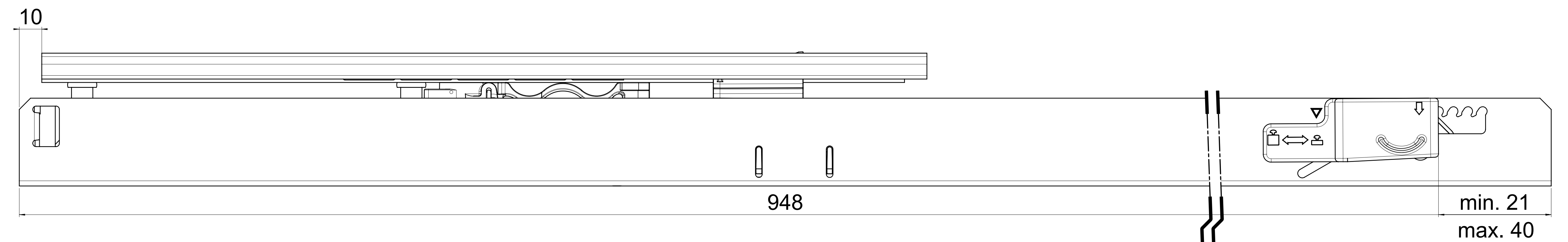
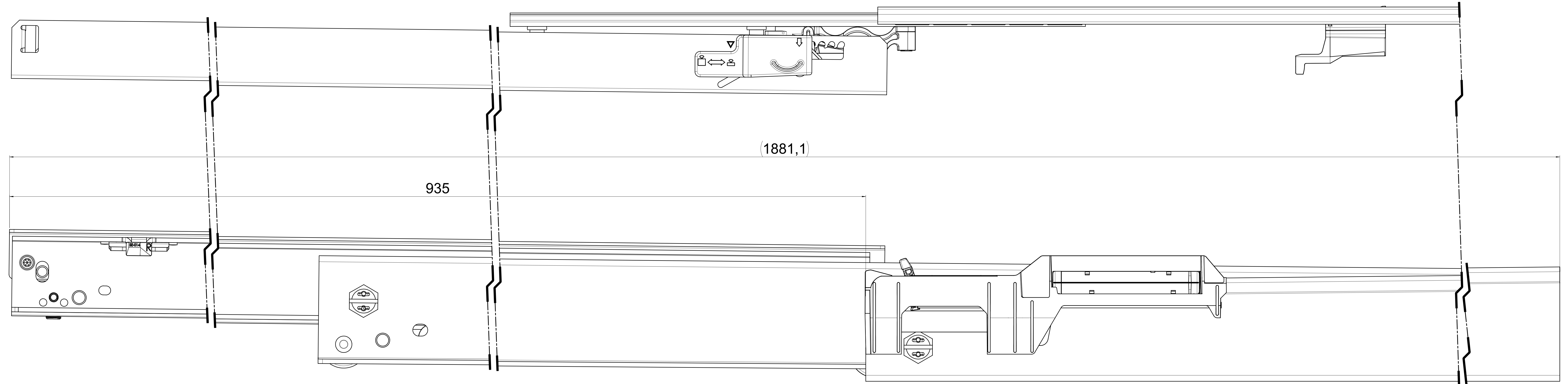
signed by: \_\_\_\_\_

date: \_\_\_\_\_

<p><b>all dimensions in mm</b></p> <p>This drawing remains our property and may not be multiplied neither be disclosed to third parties (§§1,3 and 5 from the copyright Act (UrhG)). covered according to DIN ISO 16015</p>		<p>DIN ISO 128-30 missing dimensions see 3D = theor. intersection</p>	
scale:	1:1	surface:	steel (technical requirements Filterer)
material:	semi finished parts	description:	FR 777A / 95 - EN (mm) progressive-action full-extension drawerslide / bottom mount
drawn:	21-11-2021 GB	drawing number:	777A.950-GA.0000
proven:	00-00-0000 00	replaces version:	0000
<p><b>Filterer</b></p> <p>Filterer AG &amp; Co KG A-6800 Lustenau / Austria CH-8430 St. Margrethen</p>		<p>includes: <b>filterer</b></p>	
changes:	date:	na:	na:

dimensions without coating / maximum coating allowed 0.1mm

X



**final approval**

customer name:

signed by:

date:

**page 2 of 2** ⚠ = check dimension , next free check number ⚠

**all dimensions in mm**

This drawing remains our property and may not be multiplied neither be disclosed to third parties (§§1,3 and 5 from the copyright Act (UrHG)) covered according to DIN ISO 15016

scale: 1:1 surface: steel (technical requirements Filterer)

material: semi finished parts: AO

drawn: 21-11-2021 GB description: FR 777A / 95 - EN (mm) progressive-action full-extension drawerslide / bottom mount

proven: 00-00-0000 00

**Filterer**

Filterer AG & Co KG  
A-6800 Lustenau / Austria  
Filterer AG  
CH-8430 St. Margrethen

drawing number: 777A.950-GA.0000  
replaces version 03/02

no.	changes	date	na.

Created: 01. August 2021 14:37:27  
Inchold: beberger