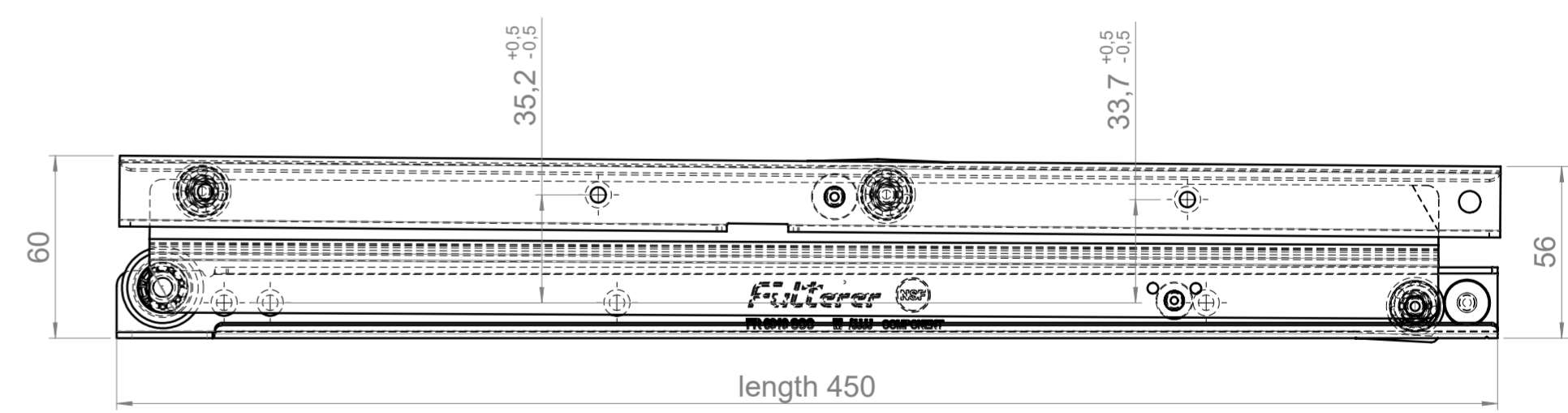
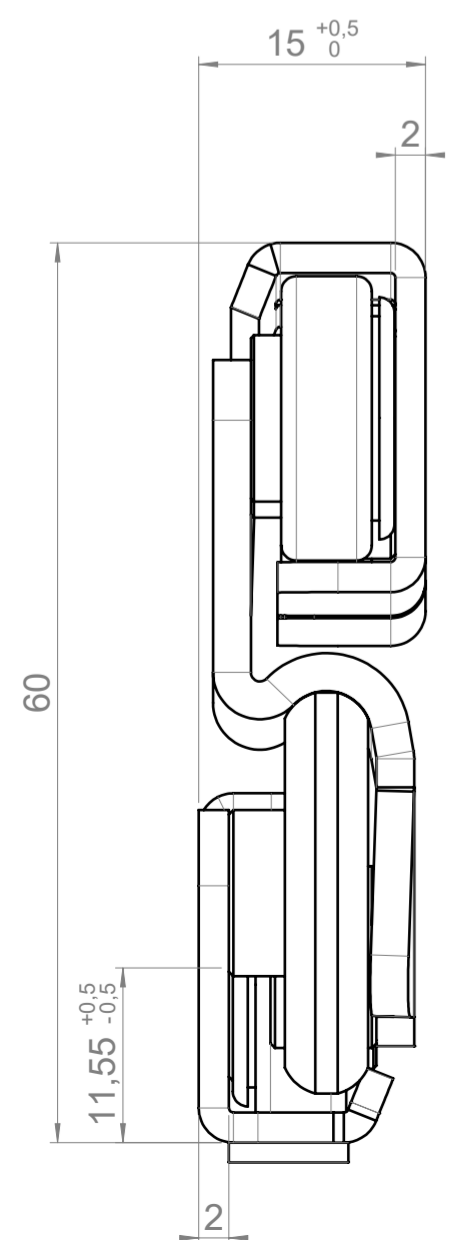
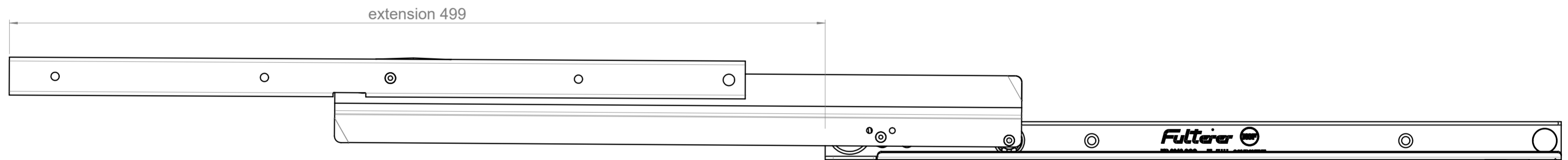
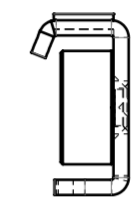
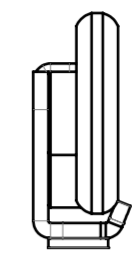
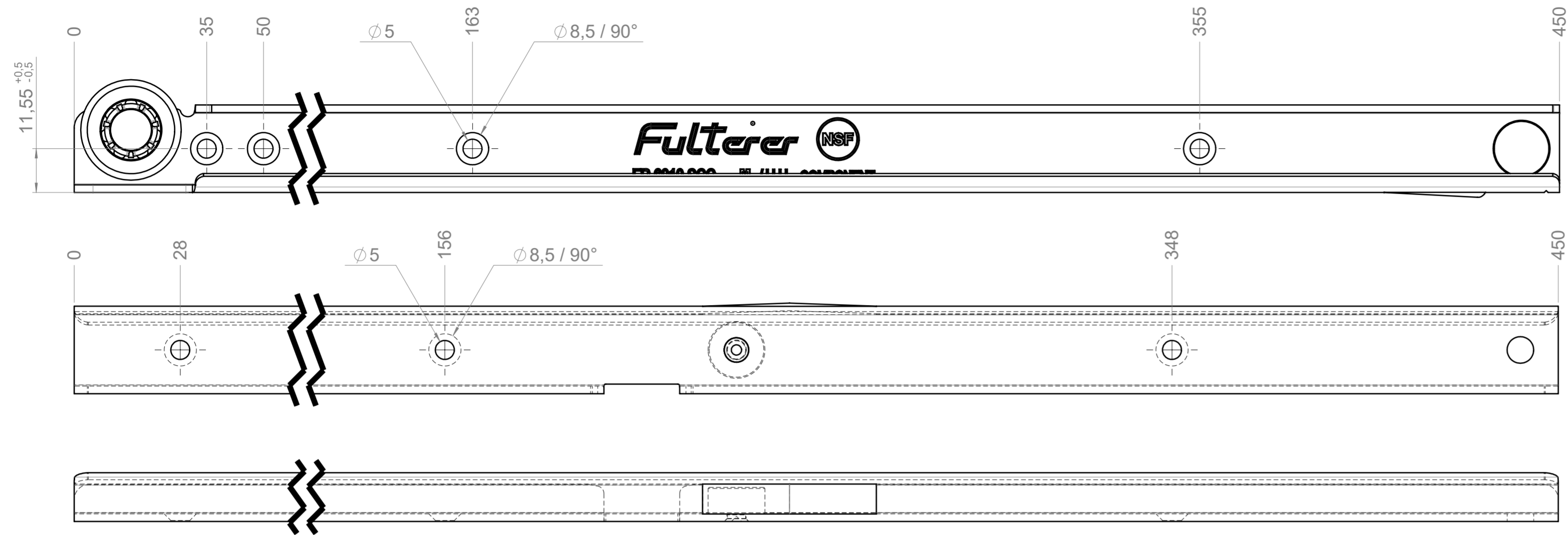


drawn on the left (mirrored on the right)



**final approval**

customer name:

signed by:

date:

all dimensions in mm					
missing dimensions see 3D = theor. intersection	scale: 1:1	surface/color:	material: CS (technical requirements Fulterer)		
<b>released</b>	drawn 2023-01-02	date 2025-02-25	description: FR 6010-450 CS EN (mm) over-extension drawerslide / side mount		
			drawing number: CS# 6010.450-GA.WARM		
ind. changes	date	name	replaces the edition:		
PDM	2023-01-02	PR	Fulterer AG & Co KG A-6890 Lustenau Fulterer AG CH-9430 St. Margrethen		
This drawing remains our property and may not be multiplied neither be disclosed to third parties (§§1.3 and 5 from the copyright Act (UrHG)).					
					covered according to DIN ISO 16016