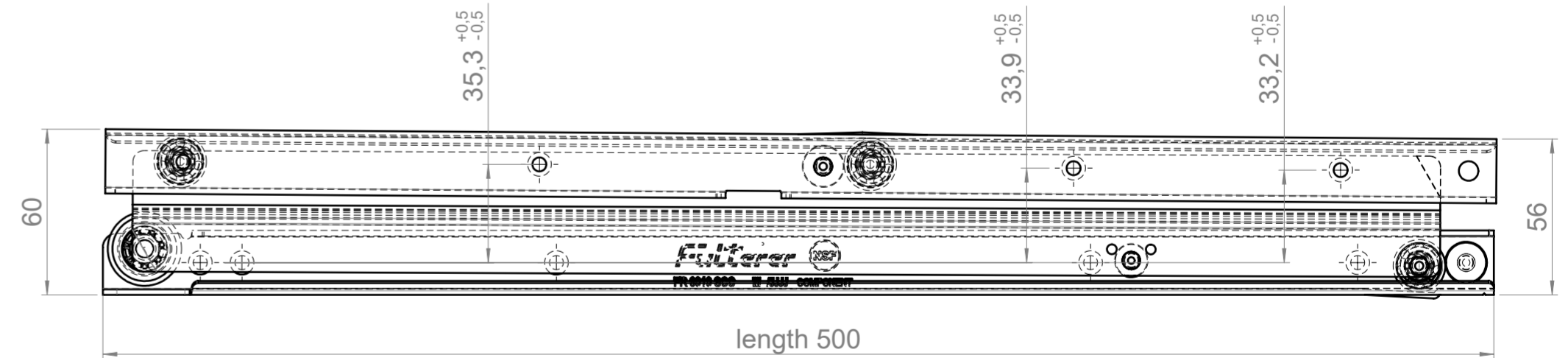
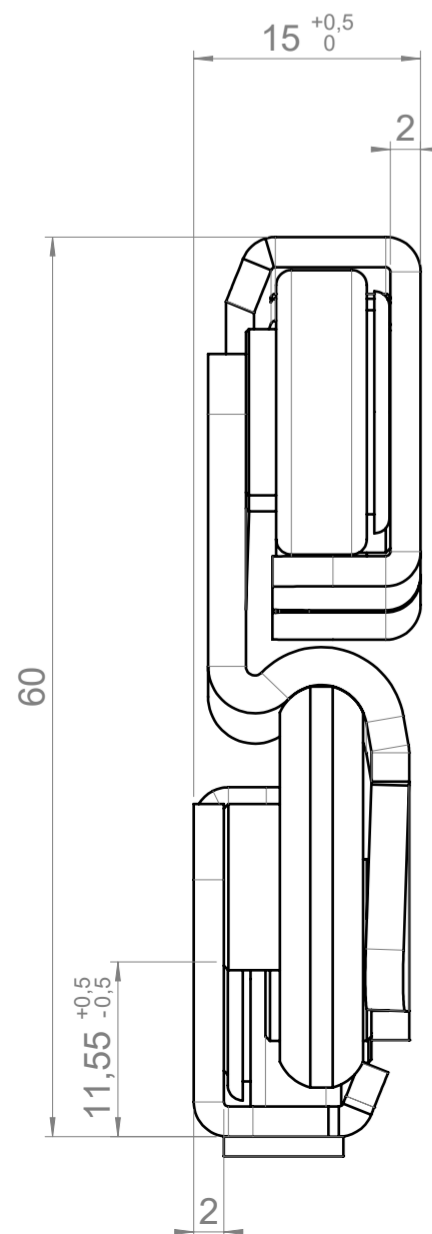
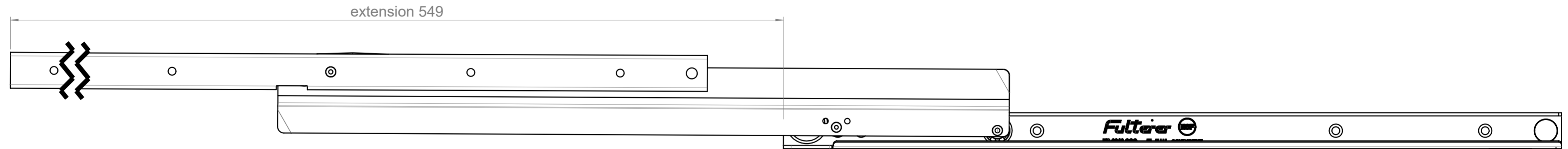
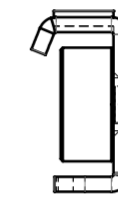
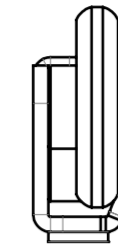
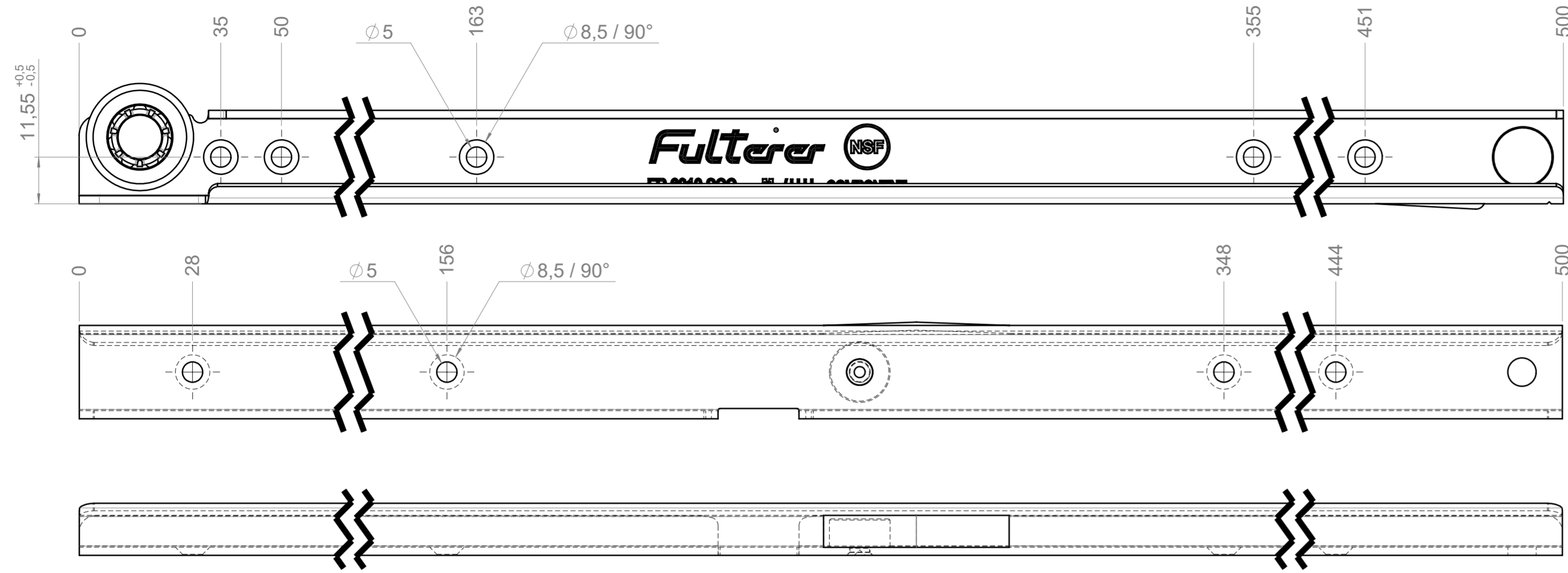


drawn on the left (mirrored on the right)



final approval	customer name:
	signed by:
	date:

all dimensions in mm					
missing dimensions see 3D \varnothing = theor. intersection		scale: 1:1	surface/color:	material: CS	(technical requirements Fulterer)
released			drawn 2023-01-02 PR	date 2025-02-25	name FR 6010-500 CS EN (mm)
			Fulterer		description: over-extension drawerslide / side mount
			Fulterer AG & Co KG A-6890 Lustenau		drawing number: CS# 6010.500-GA.WARM
			Fulterer AG CH-9430 St. Margrethen		replaces the edition:
This drawing remains our property and may not be multiplied neither be disclosed to third parties (§§1.3 and 5 from the copyright Act (UrH.G)).					covered according to DIN ISO 16016