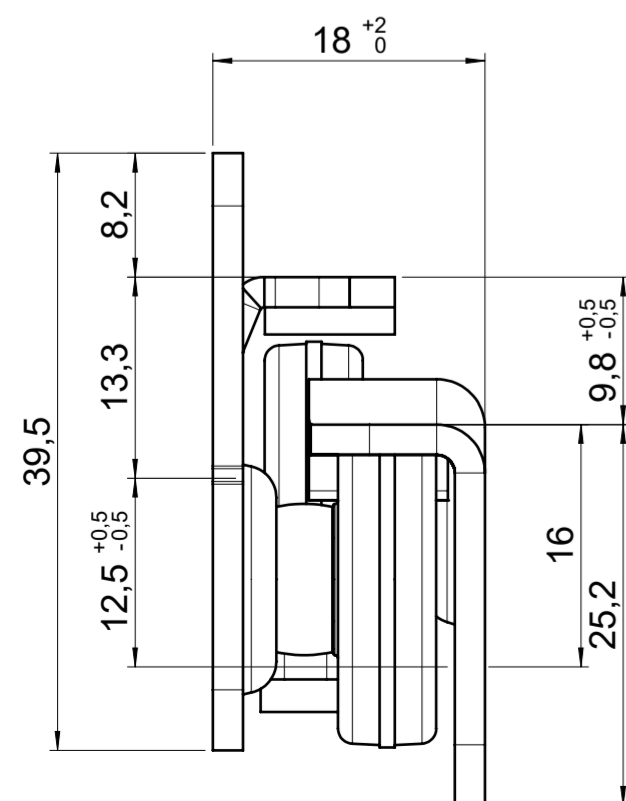
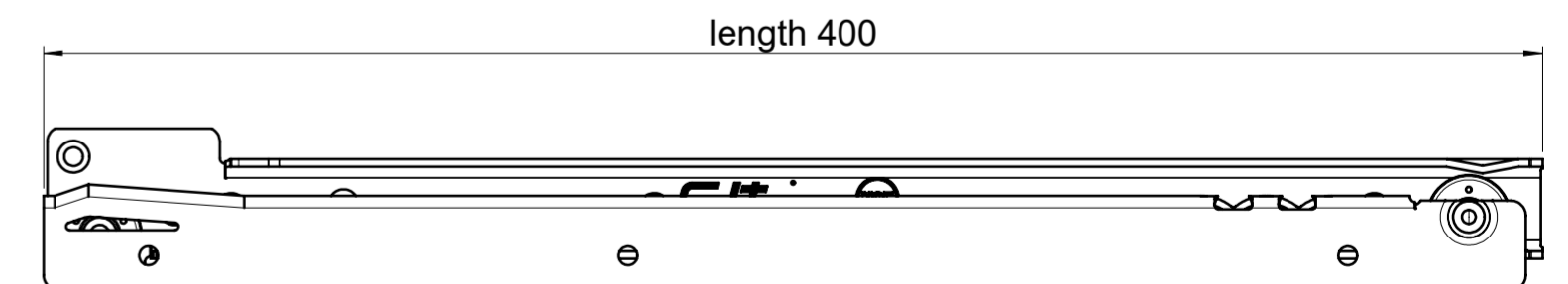
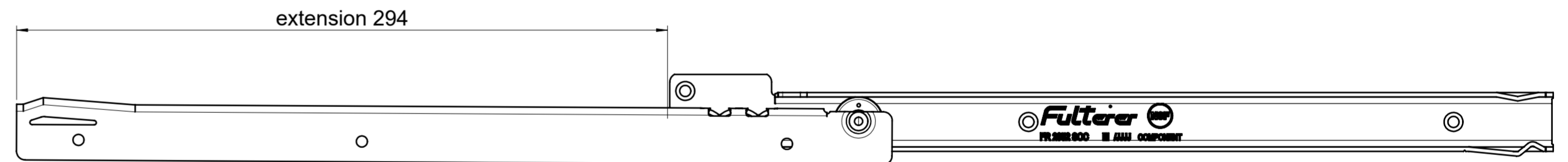
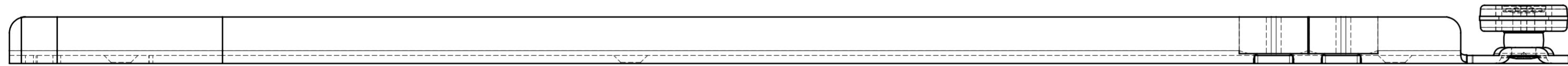
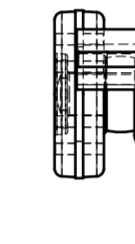
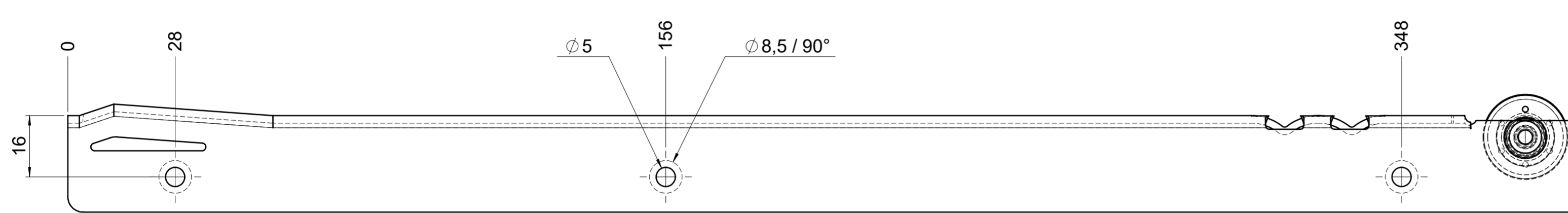
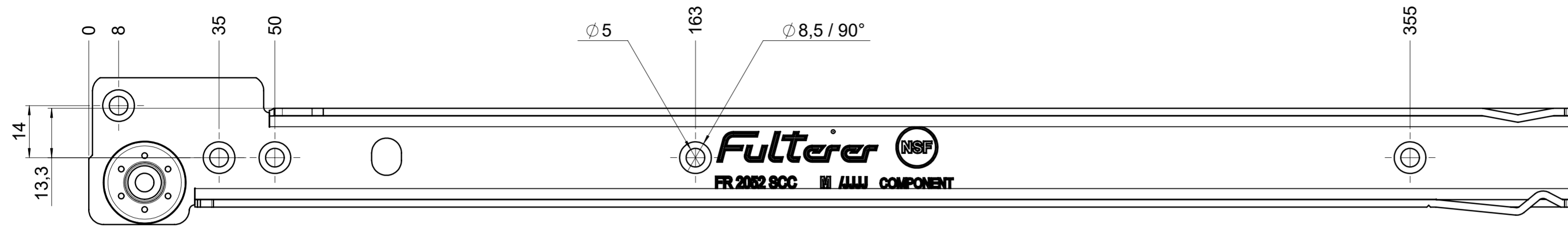


drawn left



final approval

customer name:

signed by:

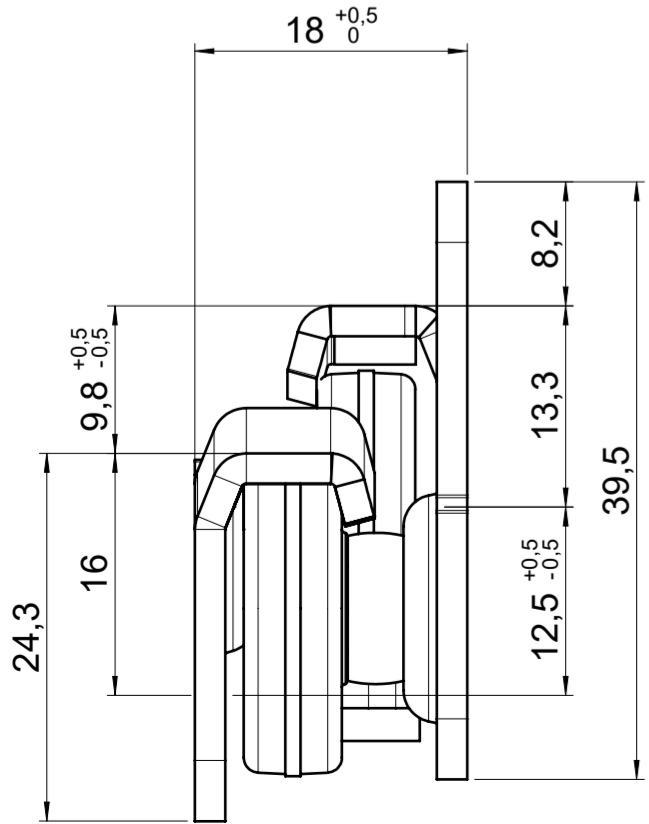
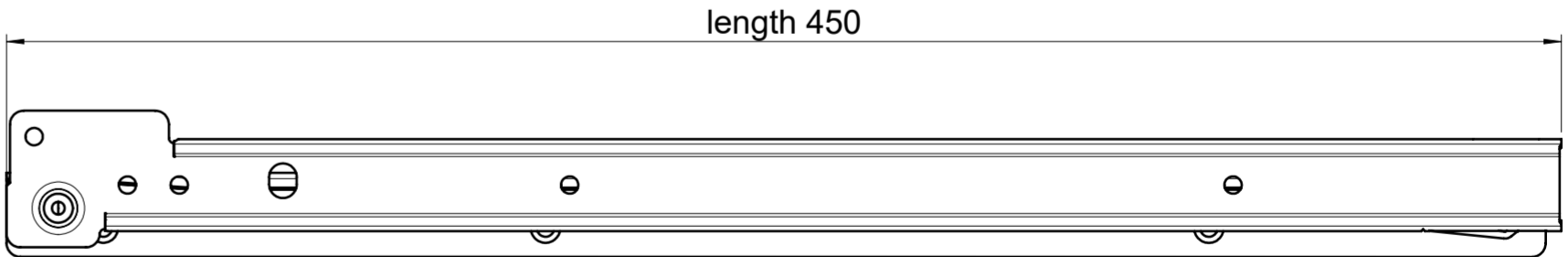
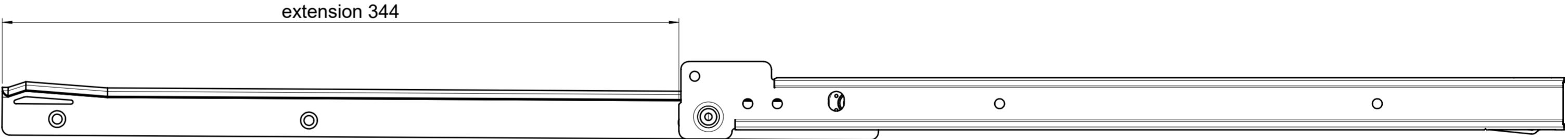
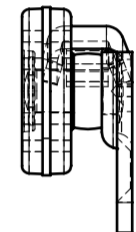
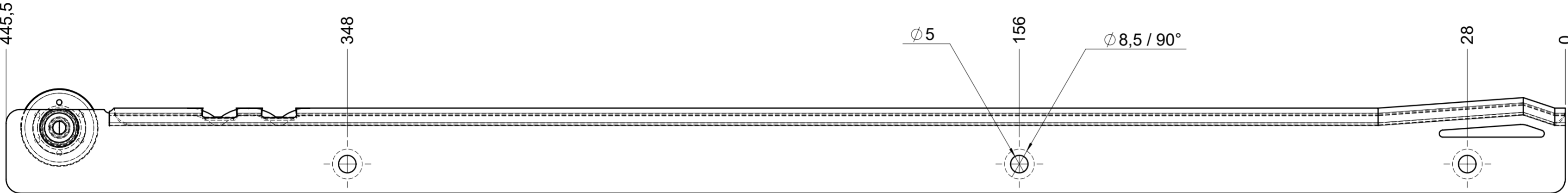
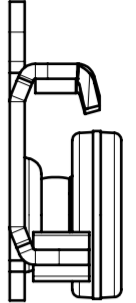
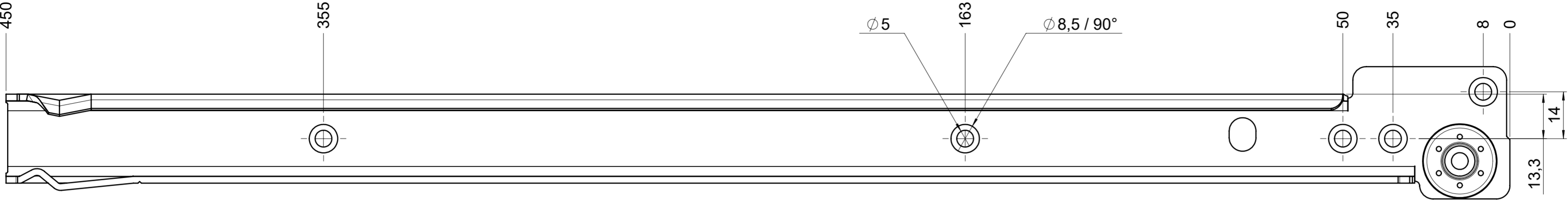
date:

all dimensions in mm

DIN ISO 128-30
missing dimensions see 3D
= theor. intersection

This drawing remains our property and may not be multiplied neither be disclosed to third parties (§§1,3 and 5 from the copyright Act (UrhG)) covered according to DIN ISO 16016				scale: 1:1	surface:	material, semi finished parts:	A2
(k)				date	name	CS	
(l)				drawn 01-02-2023	ex	(technical requirements Fulterer)	
(m)				proven 01-03-2023	pr	description:	
(n)						FR 1052 / 40 CS EN (mm)	
(o)						regular-extension drawerside / side mount	
(p)				Fulterer AG & Co KG A-6890 Lustenau / Austria		drawing number:	
(q)				Fulterer AG CH-9430 St. Margrethen		CS# 1052.400-GA.0000.li	
(r)						replaces version date:	
(s)				changes	date	na.	

drawn right



final approval

customer name:

signed by:

date:

all dimensions in mm

DIN ISO 128-30
missing dimensions see 3D
= theor. intersection

This drawing remains our property and may not be multiplied neither be disclosed to third parties (§§1,3 and 5 from the copyright Act (UrhG)) covered according to DIN ISO 16016				scale: 1:1	surface:	material, semi finished parts: CS (technical requirements Fulterer)	A2
(k)				date	name	description: FR 1052 / 45 CS EN (mm) regular-extension drawerside / side mount	drawing number: CS# 1052.450-GA.0000.re replaces version date:
(l)			drawn 01-02-2023	ex			
(h)			proven 01-03-2023	pr			
(g)							
(f)							
(e)							
(d)							
(c)							
(b)							
(a)							
ind.	changes	date	na.				