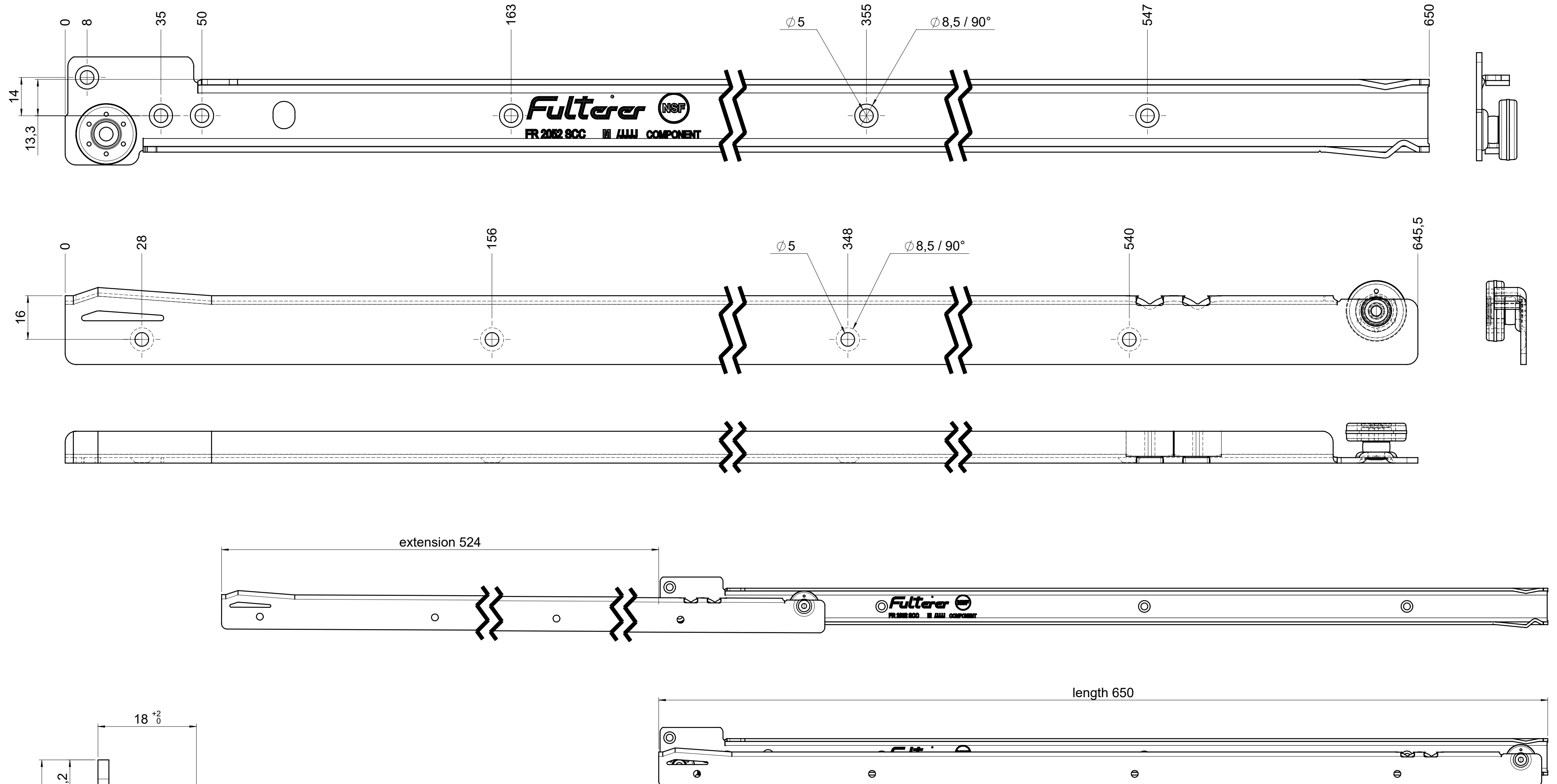


drawn left



final approval

customer name:

signed by:

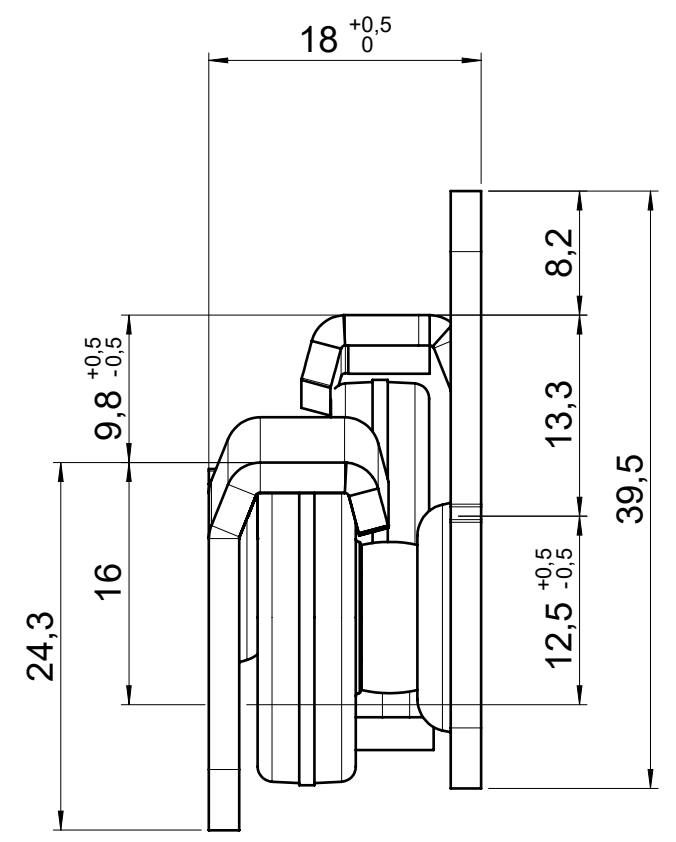
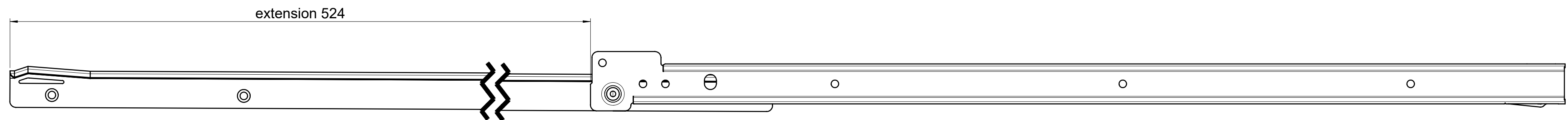
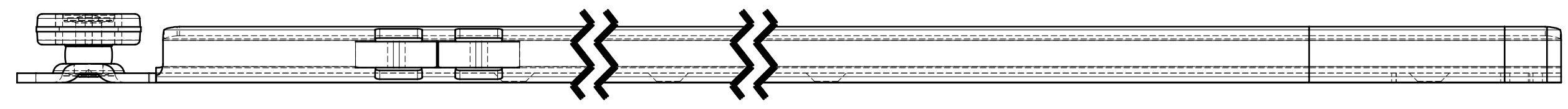
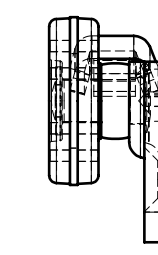
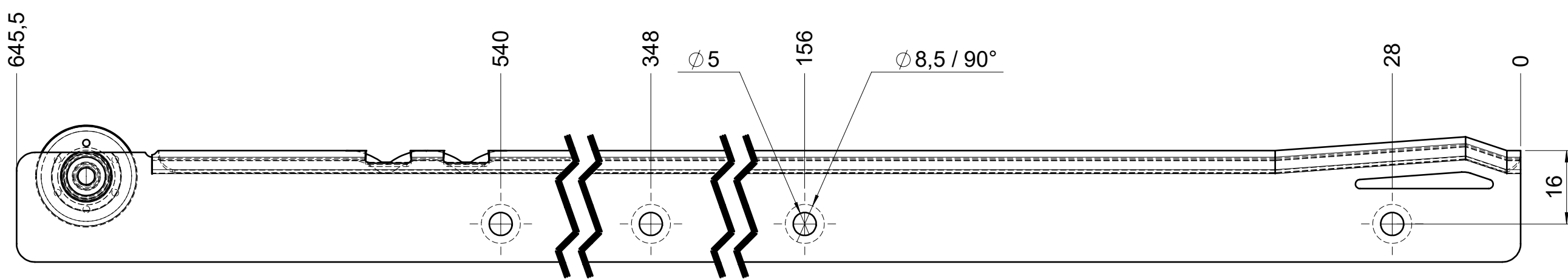
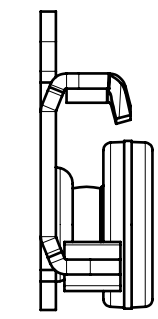
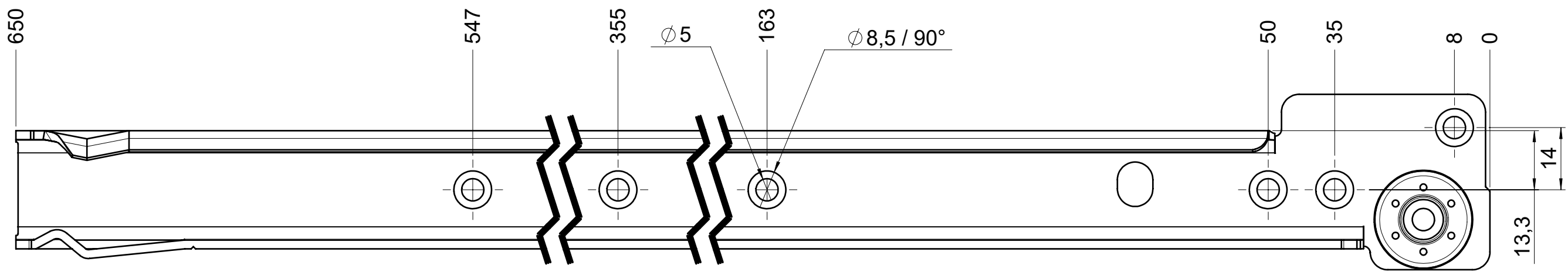
date:

all dimensions in mm

DIN ISO 128-30
missing dimensions see 3D
= theor. intersection

This drawing remains our property and may not be multiplied neither be disclosed to third parties (§§1,3 and 5 from the copyright Act (UrhG)) covered according to DIN ISO 16016				scale: 1:1	surface:	material, semi finished parts: CS (technical requirements Fullterer)	A2
(k)				drawn	date	name	description: FR 1052 / 65 CS EN (mm) regular-extension drawerside / side mount
(l)				proven	01-03-2023	pr	
(h)							
(g)							
(f)							
(e)				Fullterer AG & Co KG A-6890 Lustenau / Austria			drawing number: CS# 1052.650-GA.0000.li
(d)				Fullterer AG CH-9430 St. Margrethen			
(c)				changes			replaces version date:
(b)							
(a)							
ind.							

drawn right



final approval

customer name:

signed by:

date:

all dimensions in mm				DIN ISO 128-30 missing dimensions see 3D = theor. intersection	
This drawing remains our property and may not be multiplied neither be disclosed to third parties (§§1,3 and 5 from the copyright Act (UrhG)) covered according to DIN ISO 16016					
scale: 1:1		surface:		material, semi finished parts: CS (technical requirements Fulterer)	
drawn	date	name	ex	description: FR 1052 / 65 CS EN (mm) regular-extension drawerside / side mount	
proven	01-03-2023	pr		drawing number: CS# 1052.650-GA.0000.re	
				replaces version date:	
Fulterer AG & Co KG A-6890 Lustenau / Austria Fulterer AG CH-9430 St. Margrethen					
ind.	changes	date	na.		