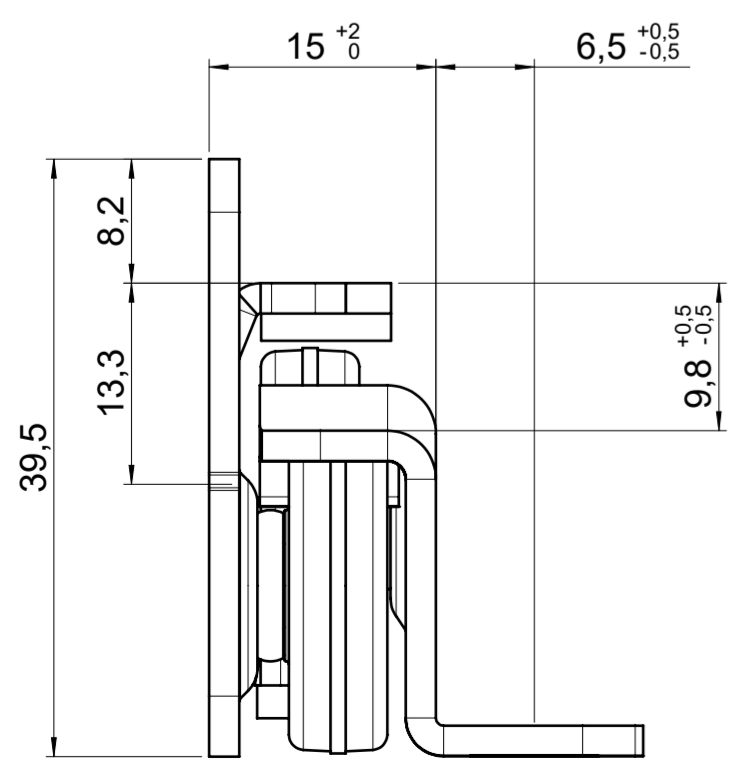
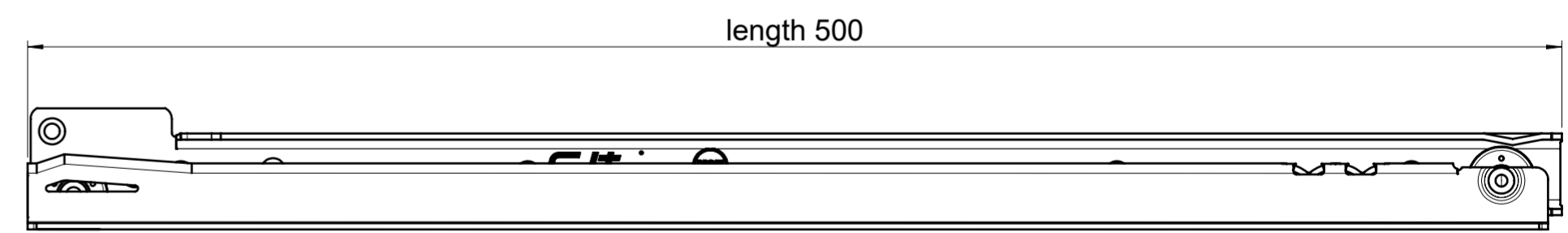
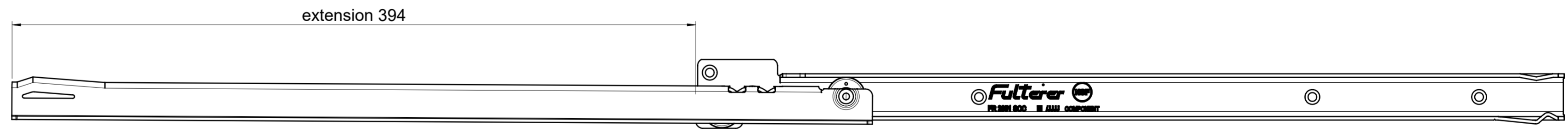
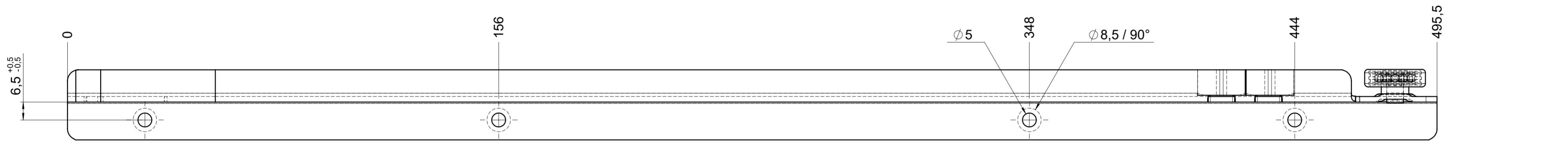
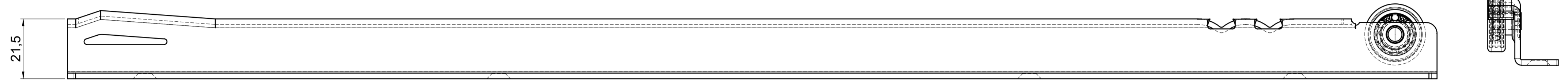
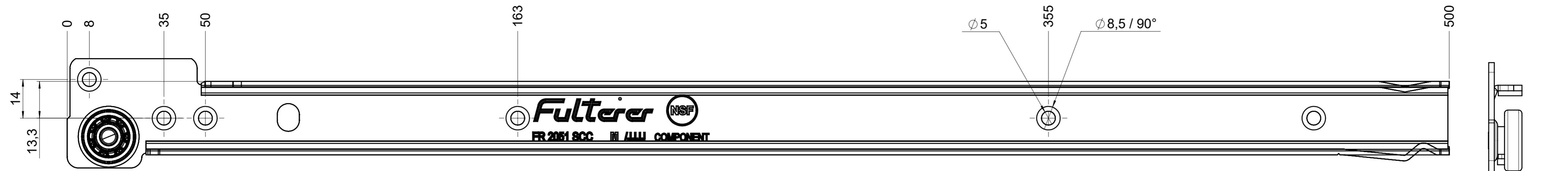


drawn left



**final approval**

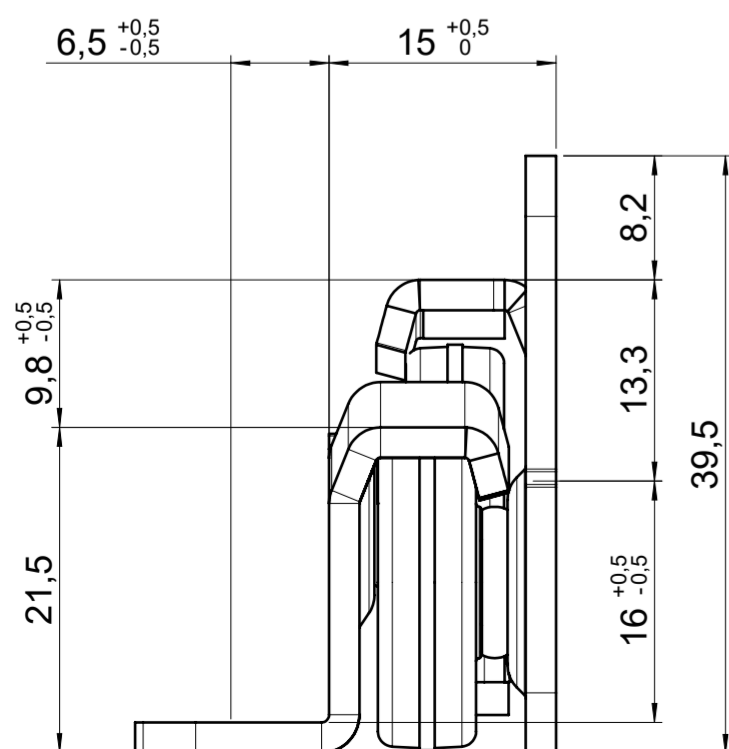
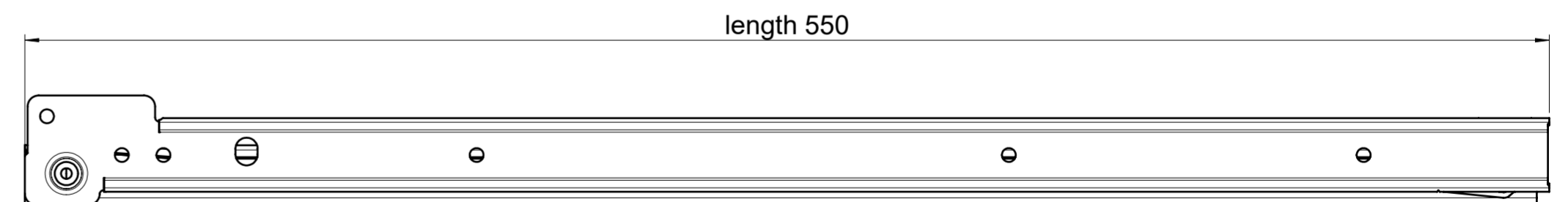
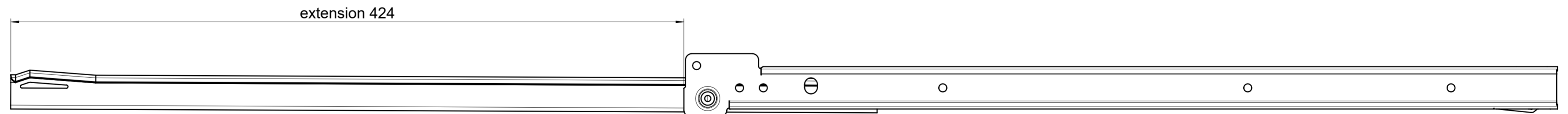
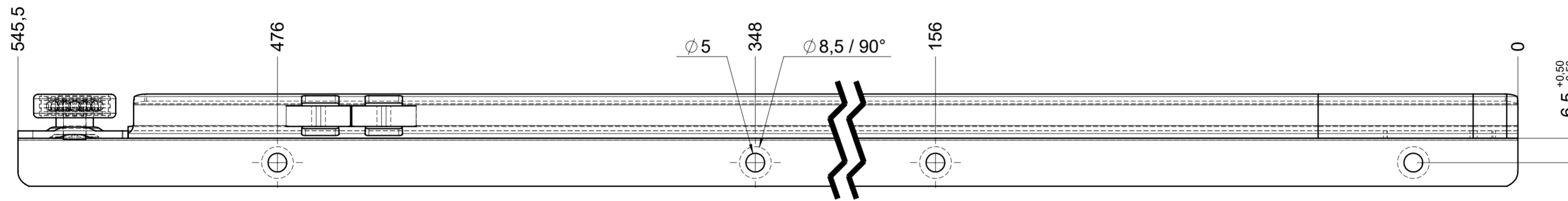
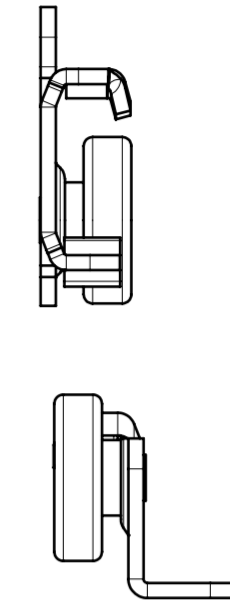
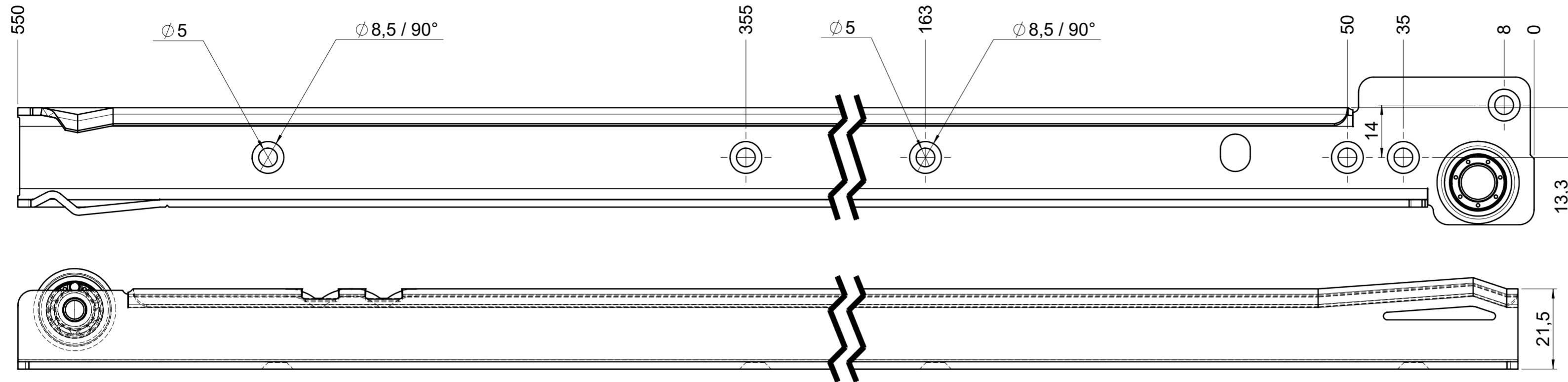
customer name:

signed by:

date:

| all dimensions in mm   |            |          |     | DIN ISO 128-30<br>missing dimensions see 3D<br>= theor. intersection           |  |
|--|------------|----------|-----|--|--|
| This drawing remains our property and may not be multiplied neither be disclosed to third parties (§§1,3 and 5 from the copyright Act (UrhG)) covered according to DIN ISO 16016 |            |          |     |  |  |
| scale: 1:1   |            | surface: |     | material, semi finished parts: CS (technical requirements Fulterer)            |  |
| drawn  | date       | name     | ex  | description: FR 2051 / 50 CS EN (mm) regular-extension drawerside / side mount |  |
| proven   | 01-03-2023 | pr       |     |  |  |
| <b>Fulterer</b>  |            |          |     | drawing number: CS# 2051.500-GA.SB00.li  |  |
| Fulterer AG & Co KG<br>A-6890 Lustenau / Austria   |            |          |     | replaces version date:   |  |
| Fulterer AG<br>CH-9430 St. Margrethen  |            |          |     |  |  |
| ind.   | changes    | date     | na. |  |  |

drawn right



**final approval**

customer name:

signed by:

date:

**all dimensions in mm**

DIN ISO 128-30  
missing dimensions see 3D  
= theor. intersection

|  |  |  |  |                                       |          |  |
|--|--|--|--|---------------------------------------|----------|--|
| This drawing remains our property and may not be multiplied neither be disclosed to third parties (§§1,3 and 5 from the copyright Act (UrhG)) covered according to DIN ISO 16016 |  |  |  | scale:<br>1:1                         | surface: | material, semi finished parts:<br>CS<br>(technical requirements Fulterer)                |
| (k)  |  |  |  | date                                  | name     | description:<br>FR 2051 / 55 CS EN (mm)<br>regular-extension<br>drawerslide / side mount |
| (l)  |  |  |  | drawn 01-02-2023                      | ex       |  |
| (i)  |  |  |  | proven 01-03-2023                     | pr       |  |
| (h)  |  |  |  | <b>Fulterer</b>                       |          | drawing number:<br><b>CS# 2051.550-GA.SB00.re</b>  |
| (g)  |  |  |  |                                       |          |  |
| (f)  |  |  |  | Fulterer AG<br>CH-9430 St. Margrethen |          | replaces version date:   |
| (e)  |  |  |  | changes                               | date     | na.  |
| (d)  |  |  |  |                                       |          |  |
| (c)  |  |  |  |                                       |          |  |
| (b)  |  |  |  |                                       |          |  |
| (a)  |  |  |  |                                       |          |  |