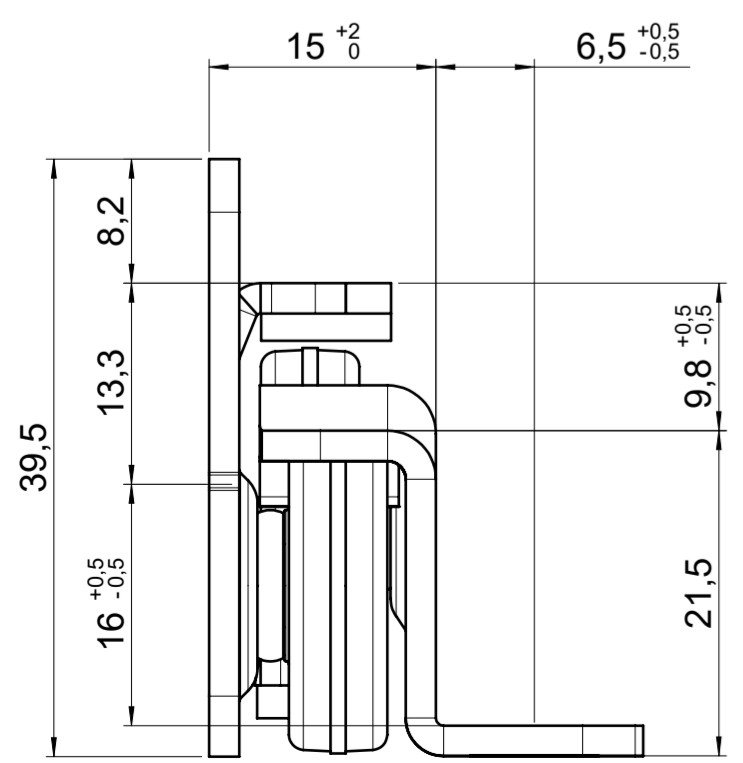
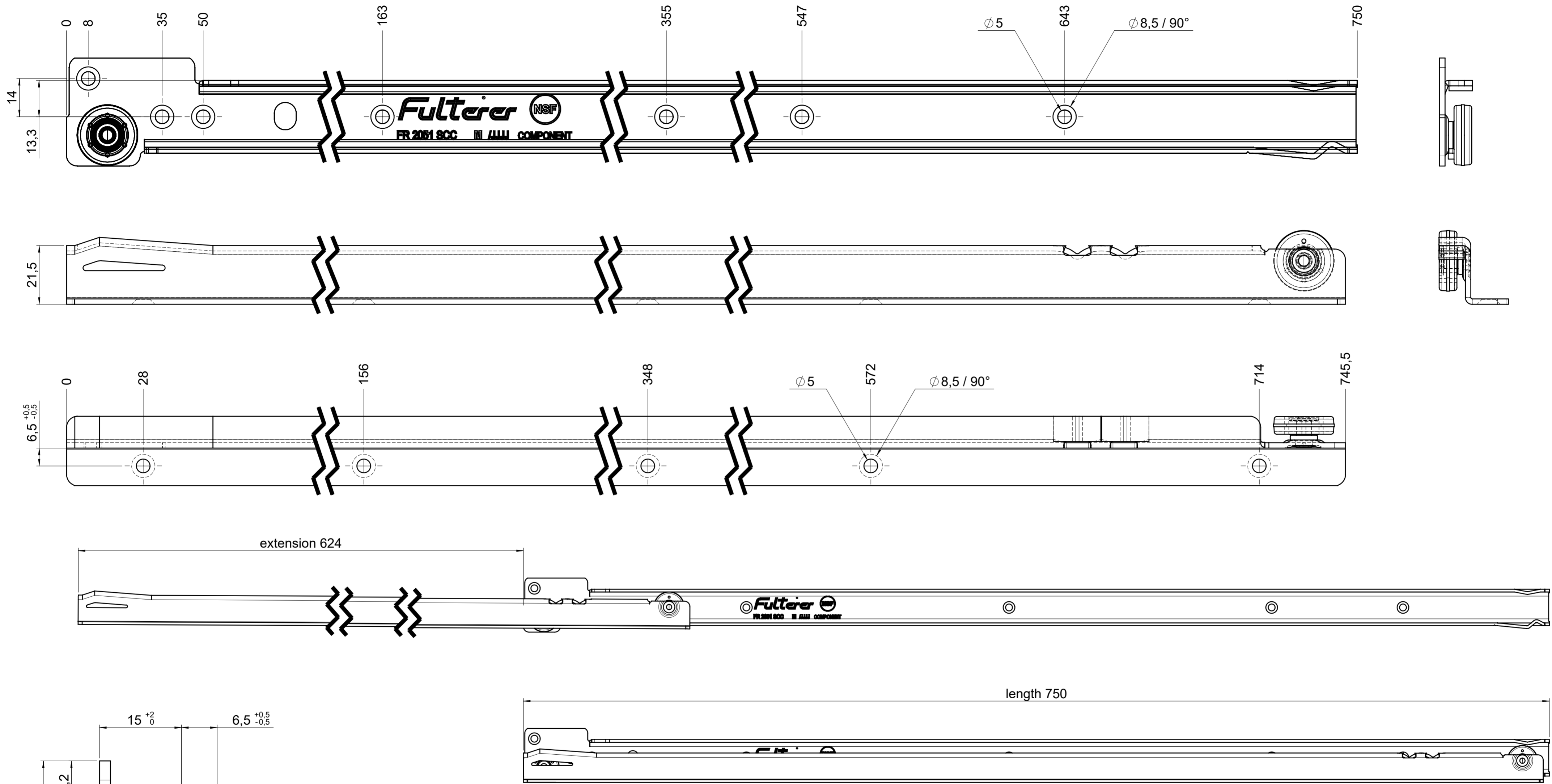


drawn left



**final approval**

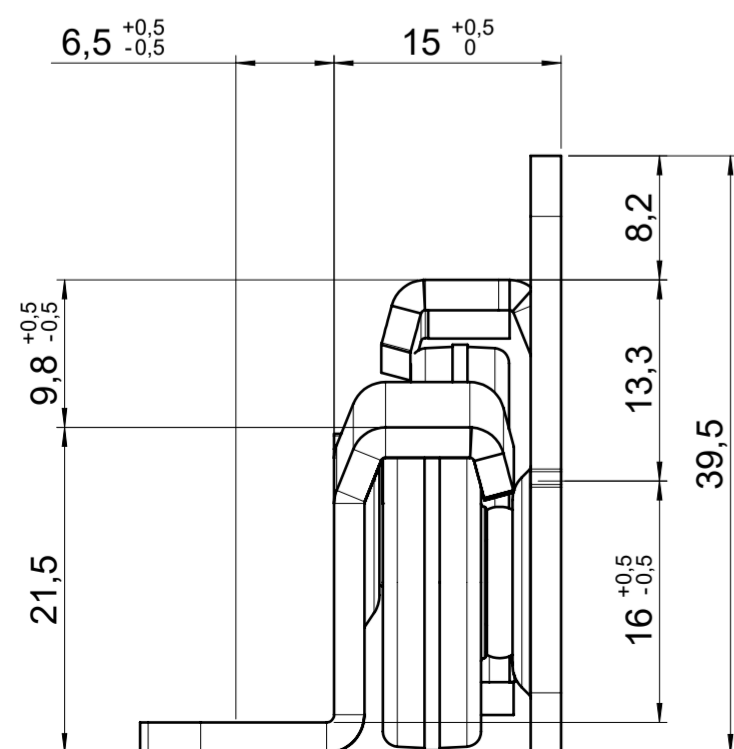
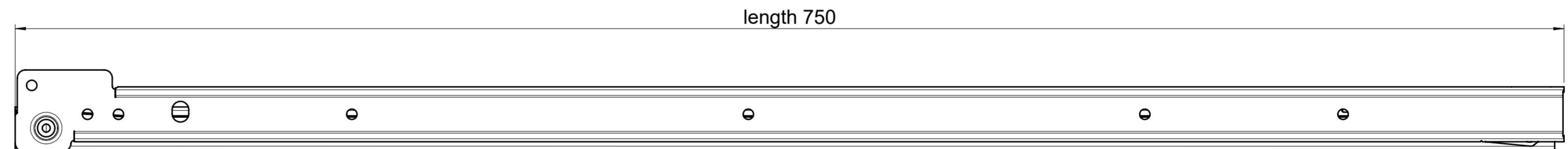
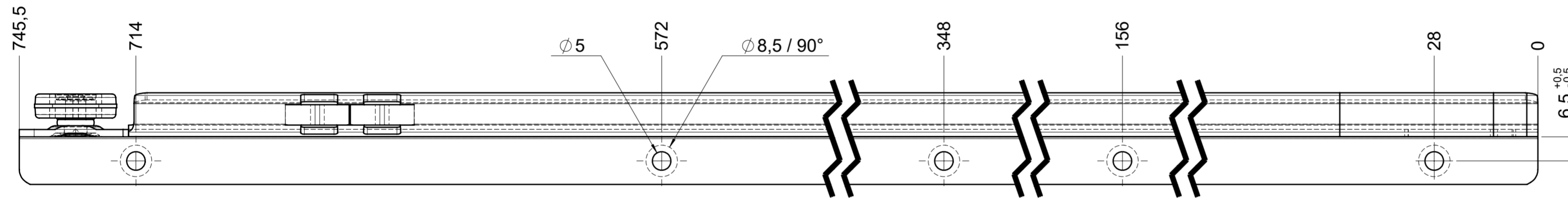
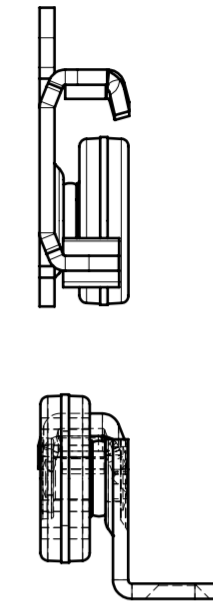
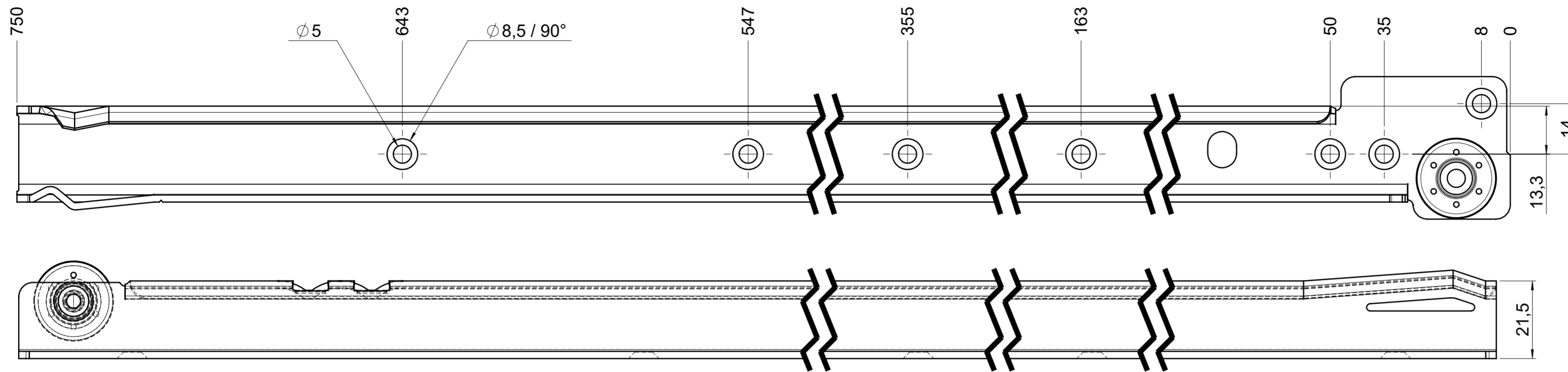
customer name:

signed by:

date:

all dimensions in mm				DIN ISO 128-30 missing dimensions see 3D = theor. intersection	
This drawing remains our property and may not be multiplied neither be disclosed to third parties (§§1,3 and 5 from the copyright Act (UrhG)) covered according to DIN ISO 16016					
scale: 1:1		surface:		material, semi finished parts: CS (technical requirements Fulterer)	
drawn	01-02-2023	date	name	description: FR 2051 / 75 CS EN (mm) regular-extension drawerside / side mount	
proven	01-03-2023	date	name	drawing number: CS# 2051.750-GA.SB00.li	
				replaces version date:	
ind.	changes	date	na.		

drawn right



**final approval**

customer name:

signed by:

date:

**all dimensions in mm**

DIN ISO 128-30  
missing dimensions see 3D  
= theor. intersection

This drawing remains our property and may not be multiplied neither be disclosed to third parties (§§1,3 and 5 from the copyright Act (UrhG)) covered according to DIN ISO 16016				scale: 1:1	surface:	material, semi finished parts: CS (technical requirements Fulterer)	A2
(k)				date	name	description: FR 2051 / 75 CS EN (mm) regular-extension drawerslide / side mount	drawing number: <b>CS# 2051.750-GA.SB00.re</b> replaces version date:
(l)			drawn 01-02-2023	ex			
(h)			proven 01-03-2023	pr			
(g)					Fulterer AG & Co KG A-6890 Lustenau / Austria Fulterer AG CH-9430 St. Margrethen		
(f)							
(e)							
(d)							
(c)							
(b)							
(a)							
ind.	changes	date	na.				