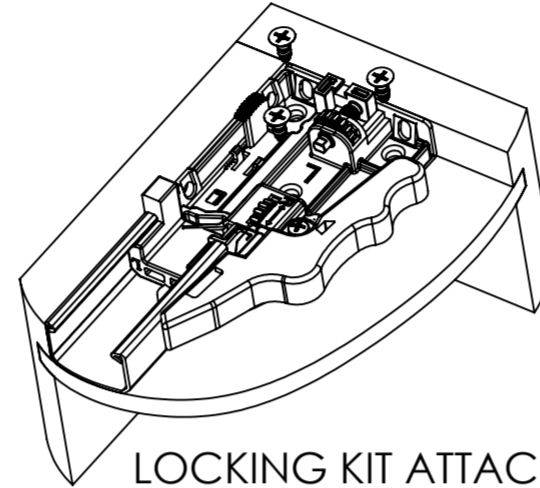
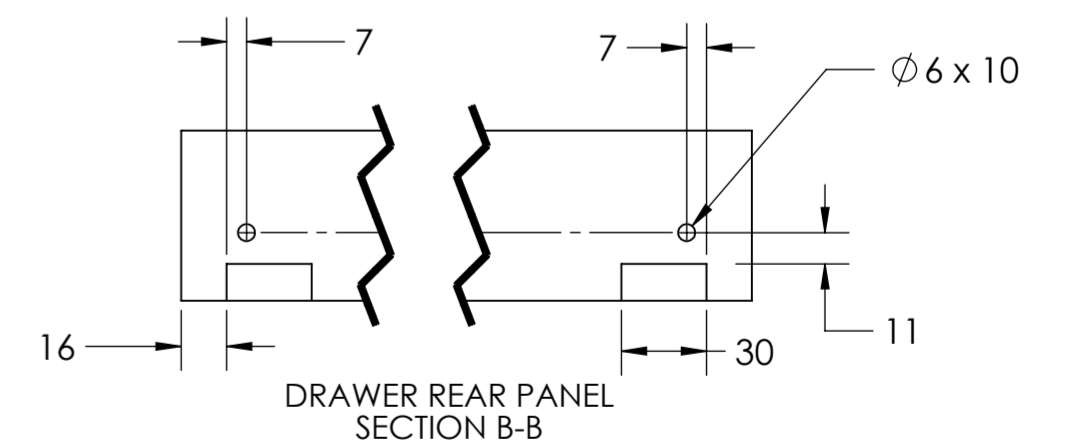
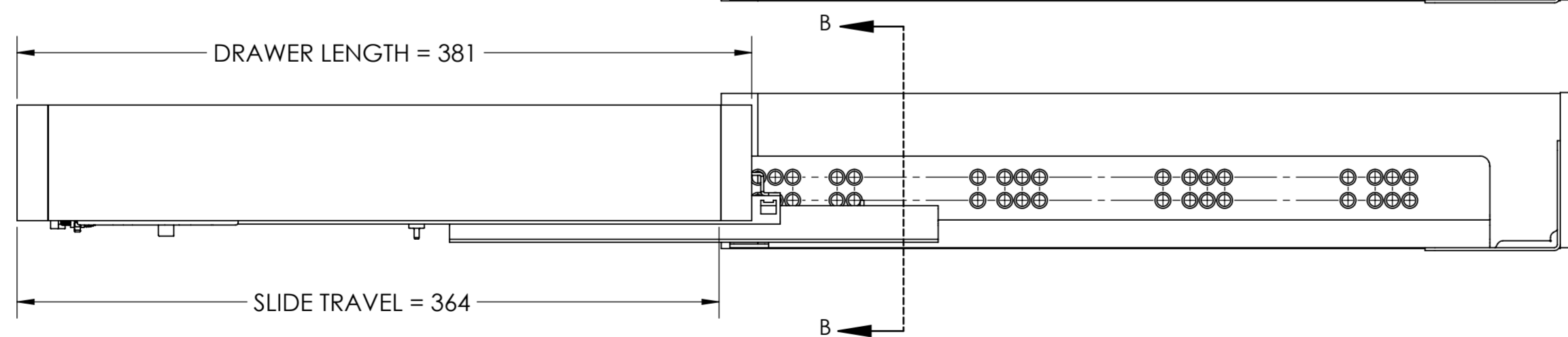
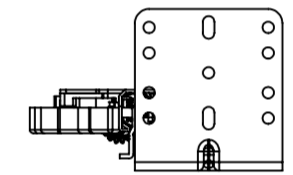
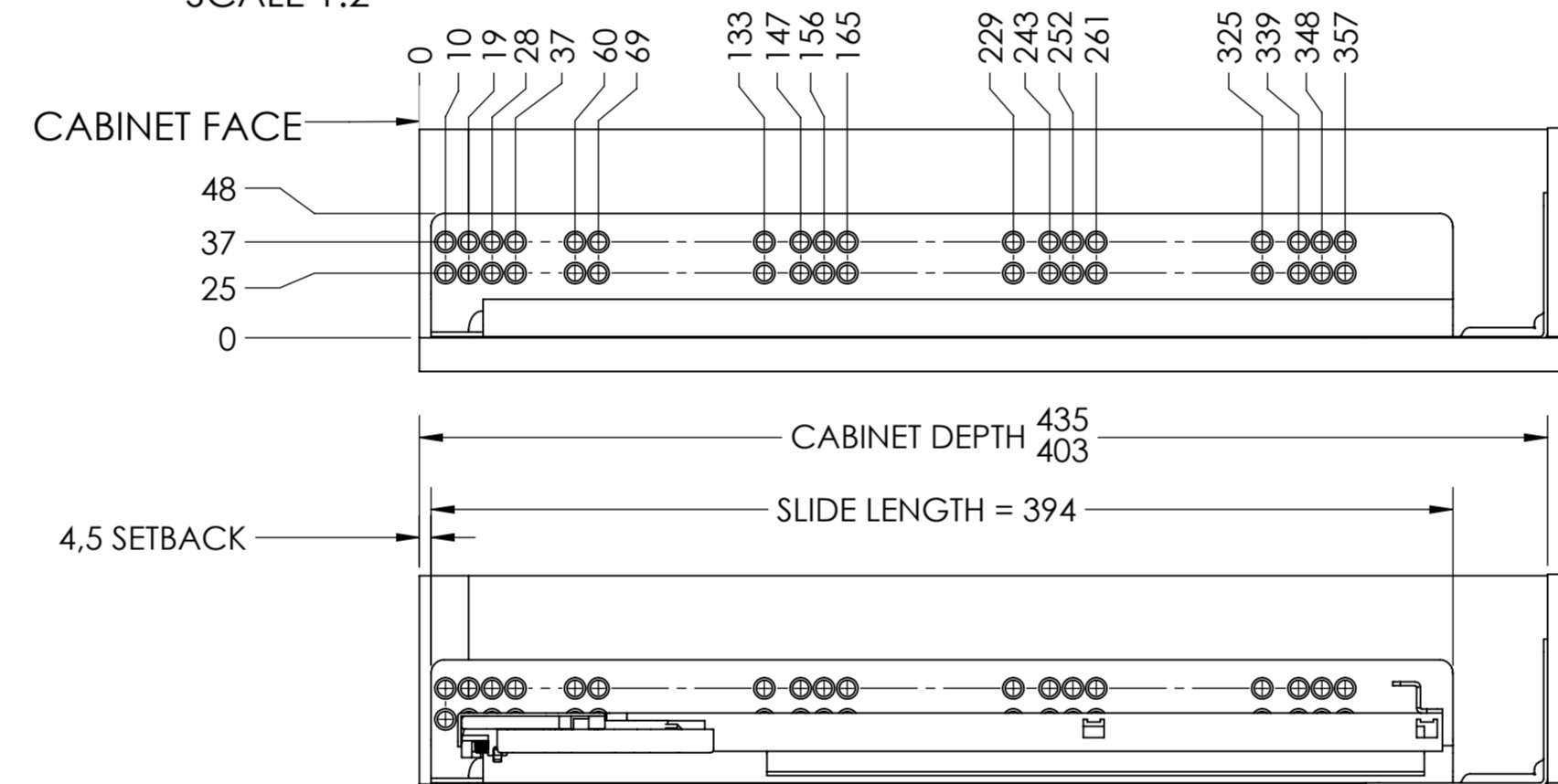
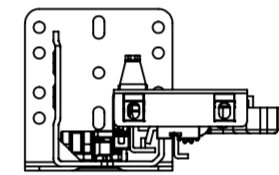
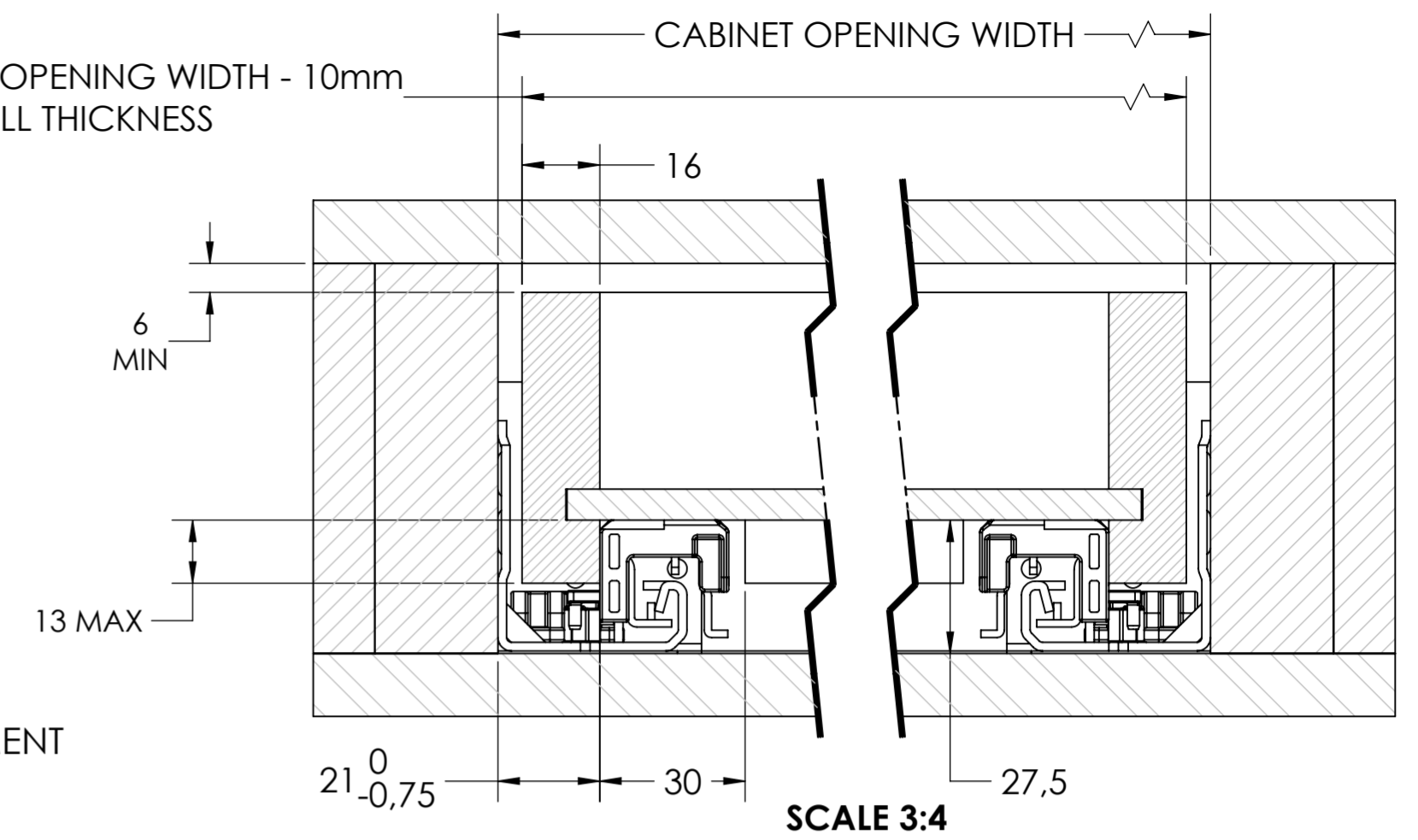


LOCKING KIT ATTACHMENT
SCALE 1:2

DRAWER WIDTH = CABINET OPENING WIDTH - 10mm
WITH 16mm WALL THICKNESS



LOCKING KIT ATTACHMENT
SCALE 1:2



RECOMMENDED HARDWARE:
 CABINET- M4 FLATHEAD OR #6 FLATHEAD FOR SLIDE M3 BUTTON HEAD OR #6 TRUSS HEAD FOR REAR BRACKET
 DRAWER LOCKING KIT- M3 FLATHEAD OR #6 FLATHEAD SCREWS

NOTES: LOCKING KITS INCLUDED WITH SLIDE
 USE ANGLE SCREW MOUNTS FOR DRAWERS WITH THIN BOTTOM PANELS
 REAR BRACKET NOT REQUIRED FOR PANEL MOUNT APPLICATIONS

general tolerances		DIN ISO 128-30 missing dimensions see 3D = theor. intersection	
ISO 2768-m			
This drawing remains our property and may not be multiplied neither be disclosed to third parties (§§1,3 and 5 from the copyright Act (UrhG)) covered according to DIN ISO 16016			
(k)	scale:	3:8	surface:
(l)	date	28-03-2019	name
(m)	drawn	HB	description:
(n)	proven	00-00-0000	00
(o)	Fulterer		UNDERMOUNT FACE FRAME SOFT
(p)			CLOSE SLIDE WITH 3 WAY
(q)	Fulterer AG & Co KG		LOCKING KIT AND REAR BRACKET
(r)	A-6890 Lustenau / Austria		drawing number:
(s)	Fulterer AG		3001.15-GA.C047
(t)	CH-9430 St. Margrethen		replaces version date:
(u)	changes	date	na.
(v)	ind.	00-00-0000	0