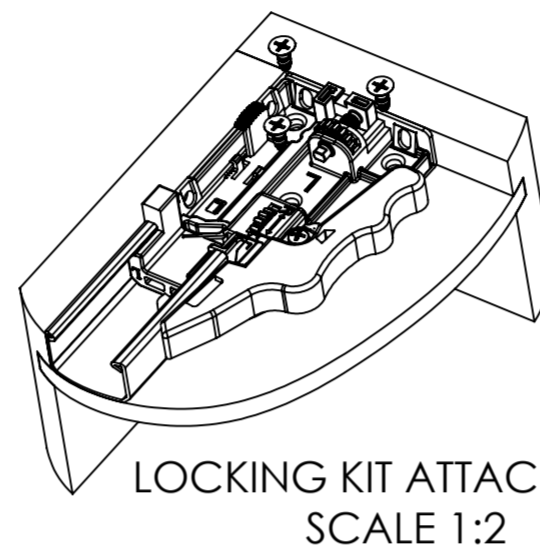
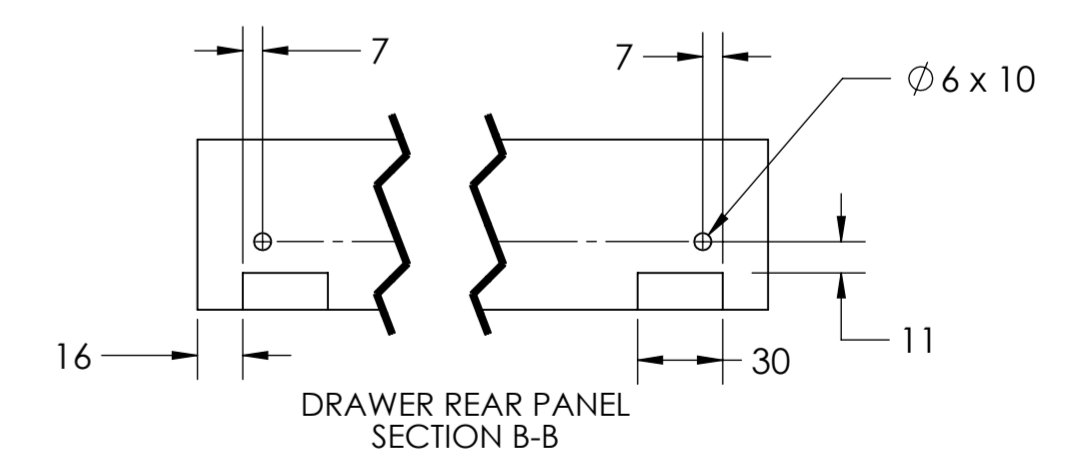
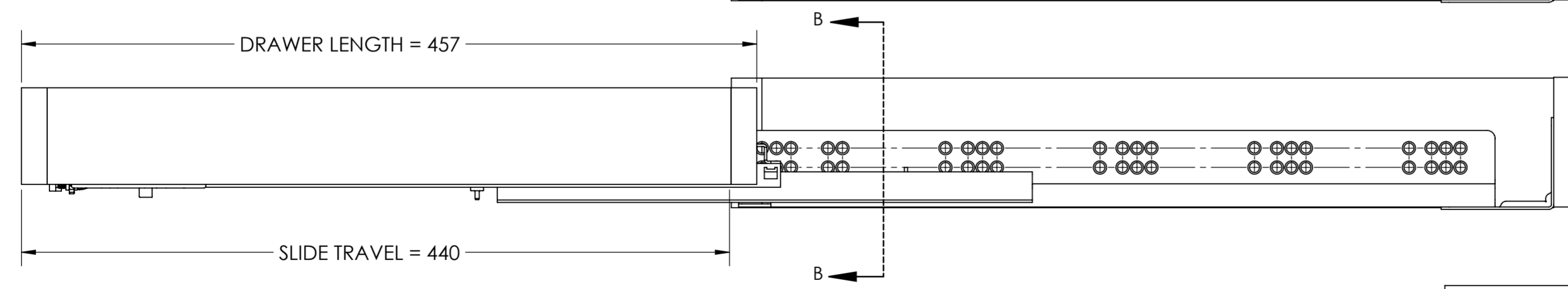
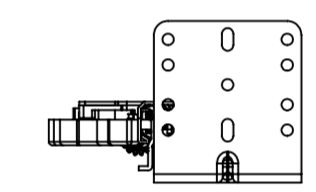
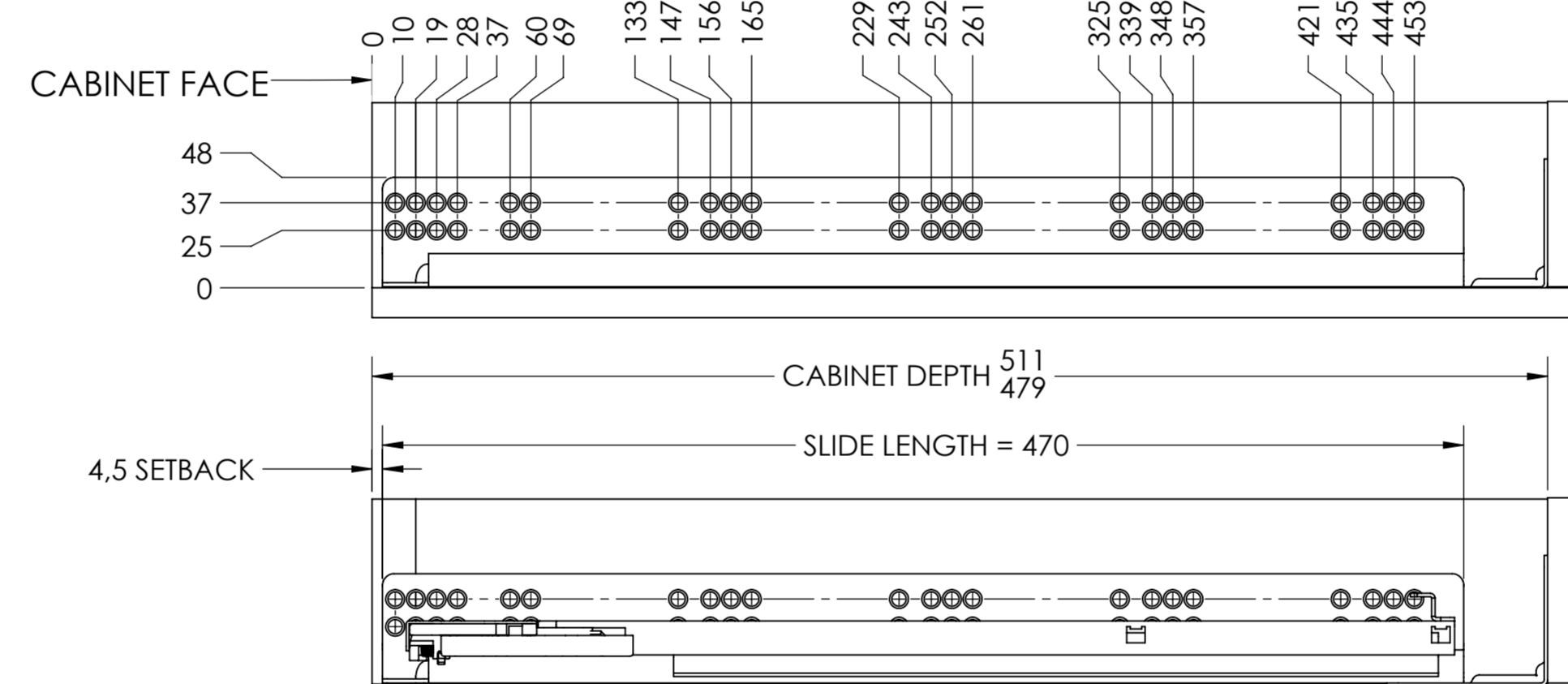
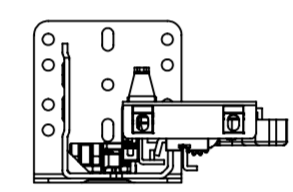
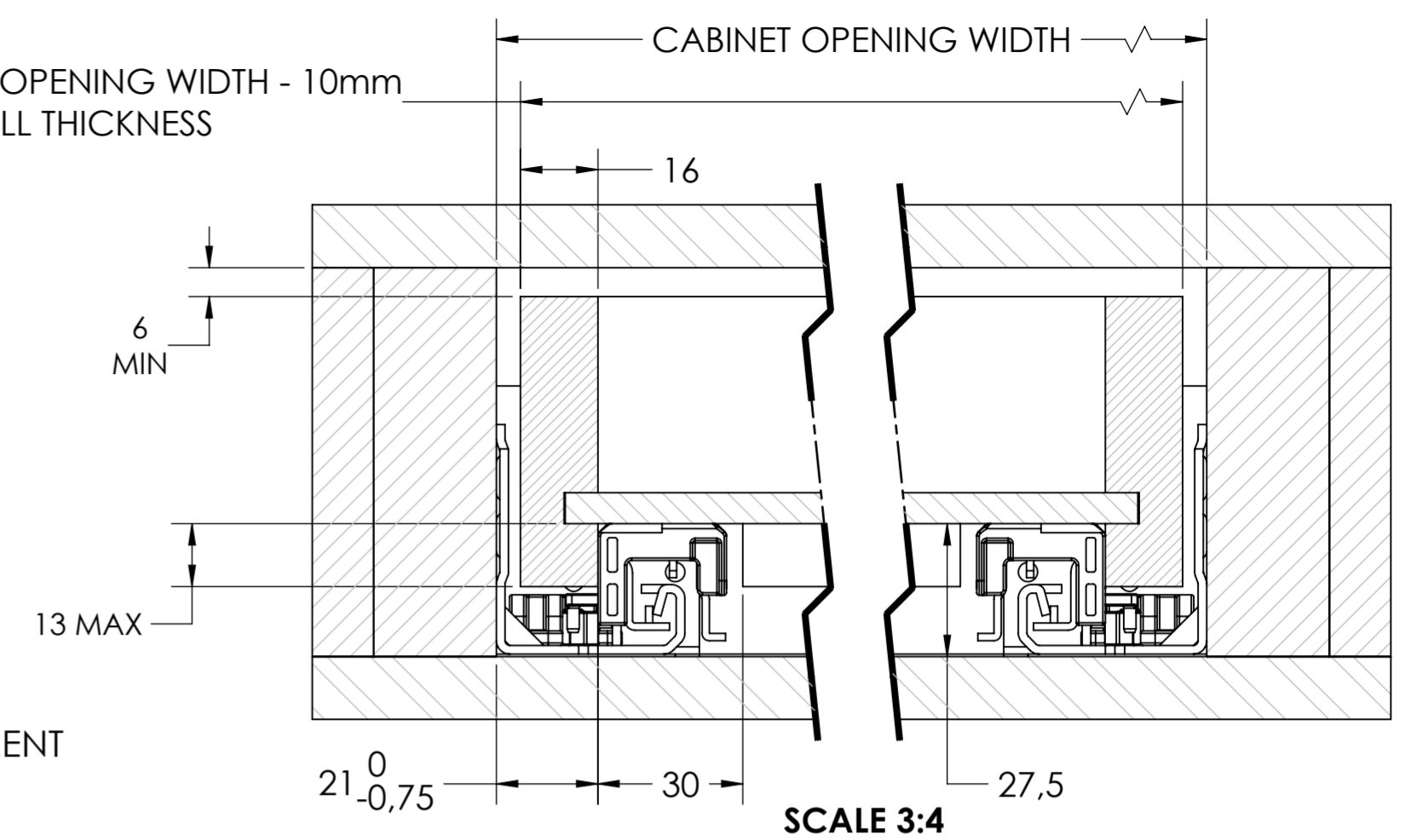


DRAWER WIDTH = CABINET OPENING WIDTH - 10mm  
WITH 16mm WALL THICKNESS

LOCKING KIT ATTACHMENT  
SCALE 1:2



LOCKING KIT ATTACHMENT  
SCALE 1:2



**RECOMMENDED HARDWARE:**  
 CABINET- M4 FLATHEAD OR #6 FLATHEAD FOR SLIDE M3 BUTTON HEAD OR #6 TRUSS HEAD FOR REAR BRACKET  
 DRAWER LOCKING KIT- M3 FLATHEAD OR #6 FLATHEAD SCREWS

**NOTES:** LOCKING KITS INCLUDED WITH SLIDE  
 USE ANGLE SCREW MOUNTS FOR DRAWERS WITH THIN BOTTOM PANELS  
 REAR BRACKET NOT REQUIRED FOR PANEL MOUNT APPLICATIONS

|   |         |                           |          |
|---|---------|---------------------------|----------|
| general tolerances  |         | DIN ISO 128-30            |          |
| ISO 2768-m  |         | missing dimensions see 3D |          |
|   |         | = theor. intersection     |          |
| This drawing remains our property and may not be multiplied neither be disclosed to third parties (§§1,3 and 5 from the copyright Act (UrhG)) |         |                           |          |
| covered according to DIN ISO 16016  |         | scale:                    | surface: |
|   |         | 3:8                       |          |
| (k)   |         | date                      | name     |
| (l)   |         | drawn 28-03-2019          | HB       |
| (m)   |         | proven 00-00-0000         | 00       |
| (n)   |         | <b>Fulterer</b>           |          |
| (o)   |         |                           |          |
| (p)   |         | Fulterer AG & Co KG       |          |
| (q)   |         | A-6890 Lustenau / Austria |          |
| (r)   |         | Fulterer AG               |          |
| (s)   |         | CH-9430 St. Margrethen    |          |
| (t)   |         | drawing number:           |          |
| (u)   |         | 3001.18-GA.C047           |          |
| (v)   |         | replaces version date:    |          |
| (w)   |         |                           |          |
| (x)   |         |                           |          |
| (y)   |         |                           |          |
| (z)   |         |                           |          |
| ind.  | changes | date                      | na.      |