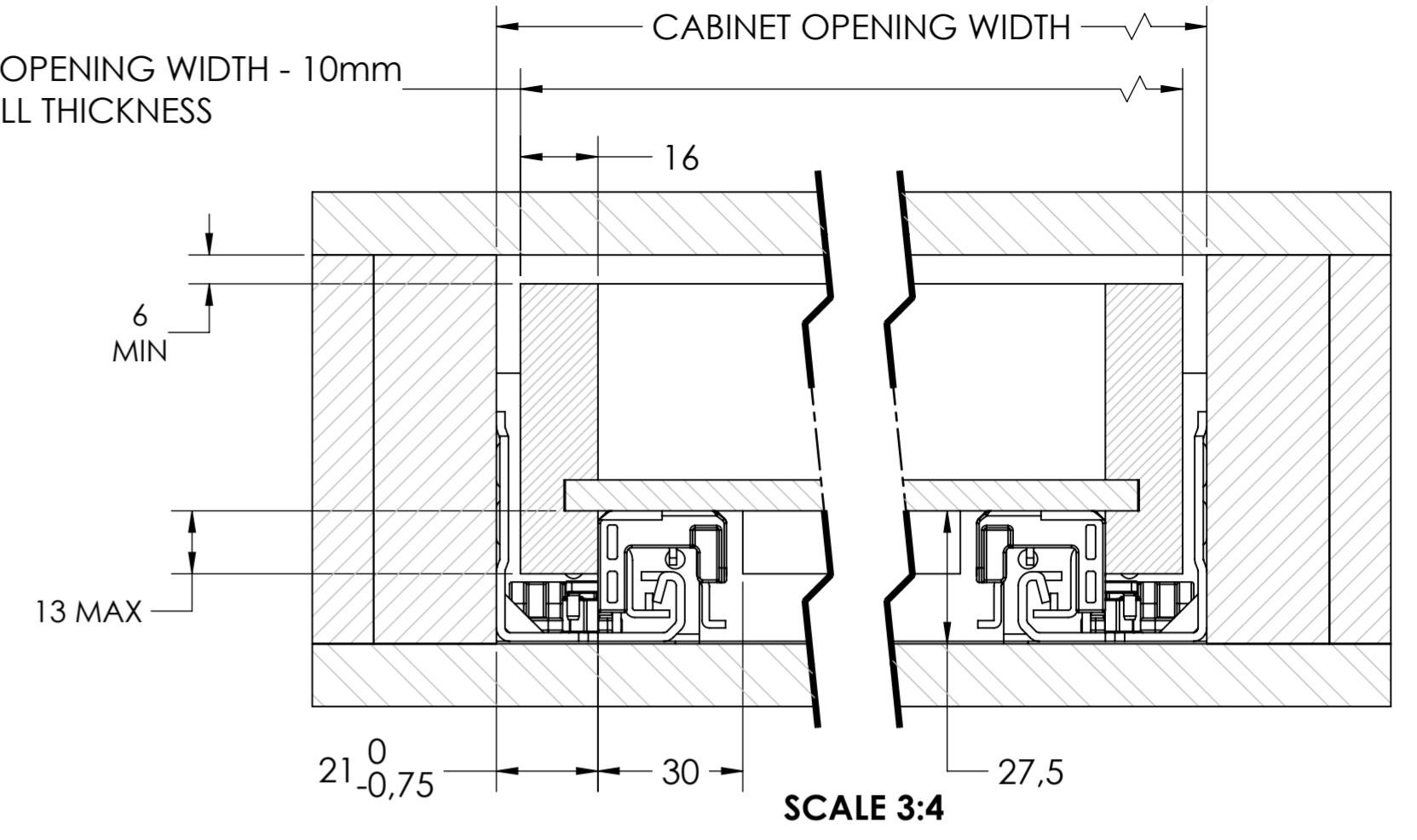
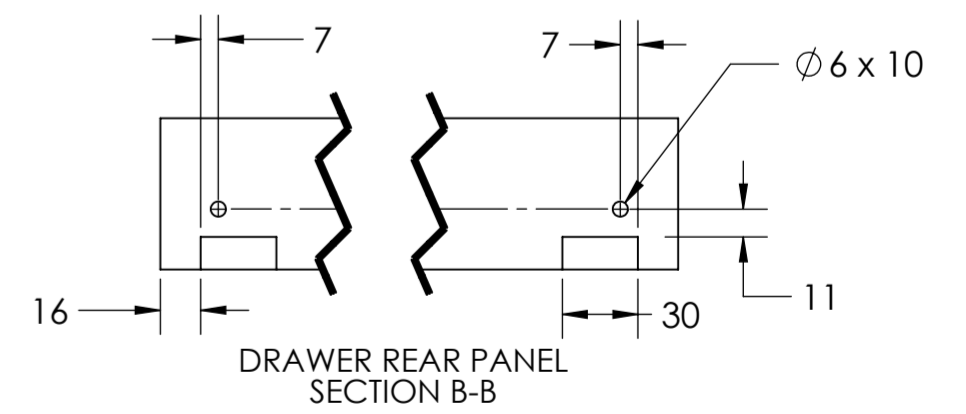
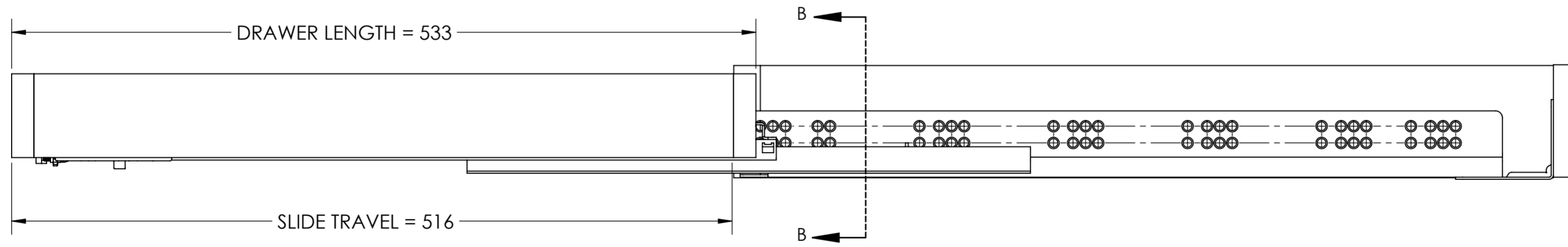
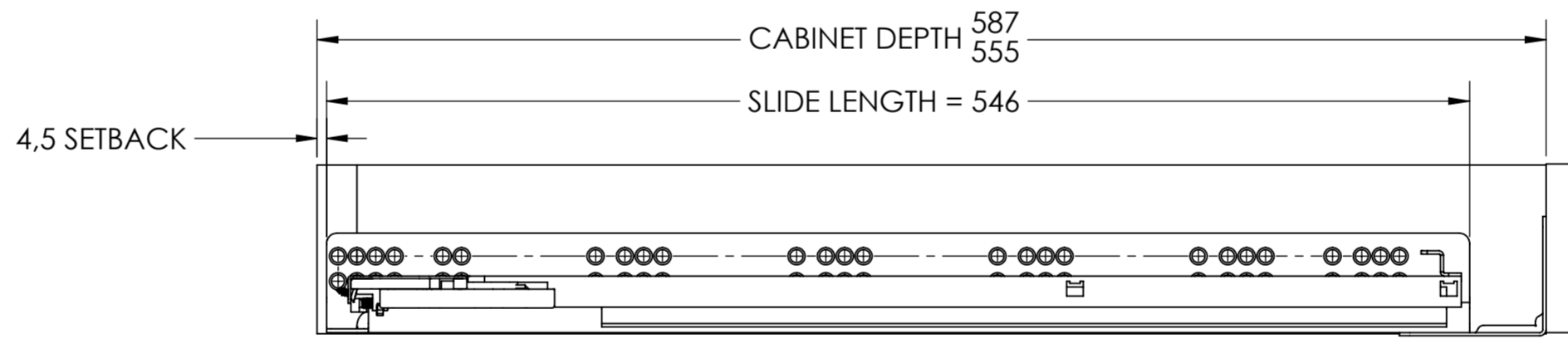
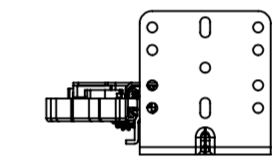
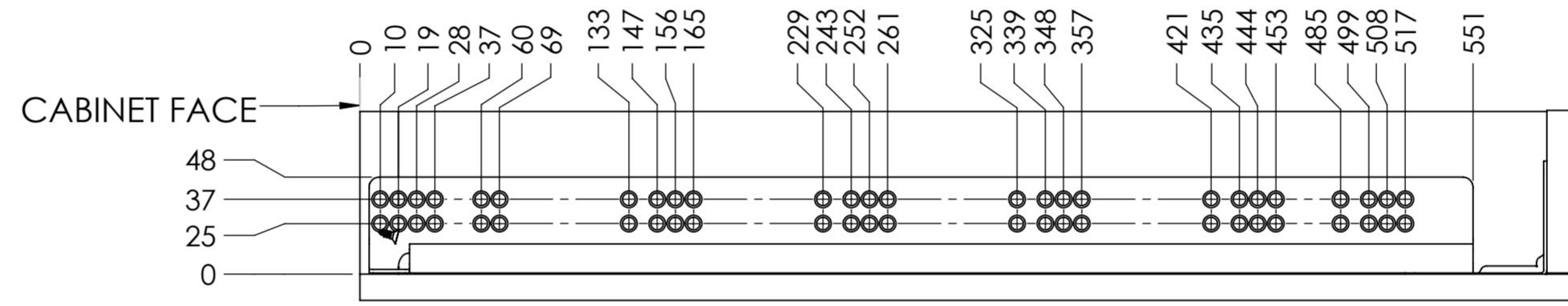
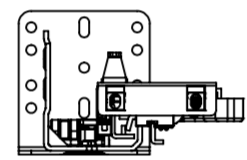


DRAWER WIDTH = CABINET OPENING WIDTH - 10mm
WITH 16mm WALL THICKNESS



LOCKING KIT ATTACHMENT
SCALE 1:2

LOCKING KIT ATTACHMENT
SCALE 1:2



RECOMMENDED HARDWARE:
 CABINET- M4 FLATHEAD OR #6 FLATHEAD FOR SLIDE M3 BUTTON HEAD OR #6 TRUSS HEAD FOR REAR BRACKET
 DRAWER LOCKING KIT- M3 FLATHEAD OR #6 FLATHEAD SCREWS

NOTES: LOCKING KITS INCLUDED WITH SLIDE
 USE ANGLE SCREW MOUNTS FOR DRAWERS WITH THIN BOTTOM PANELS
 REAR BRACKET NOT REQUIRED FOR PANEL MOUNT APPLICATIONS

general tolerances		DIN ISO 128-30 missing dimensions see 3D = theor. intersection	
ISO 2768-m			
This drawing remains our property and may not be multiplied neither be disclosed to third parties (§§1,3 and 5 from the copyright Act (UrhG))			
covered according to DIN ISO 16016		scale:	surface:
		1:3	
(k)		date	name
(l)		drawn 28-03-2019	HB
(m)		proven 00-00-0000	00
(n)		Fulterer	
(o)			
(p)		Fulterer AG & Co KG A-6890 Lustenau / Austria	
(q)		Fulterer AG CH-9430 St. Margrethen	
(r)		drawing number: 3001.21-GA.C047	
(s)		replaces version date:	
(t)			
(u)			
(v)			
(w)			
(x)			
(y)			
(z)			
ind.	changes	date	na.