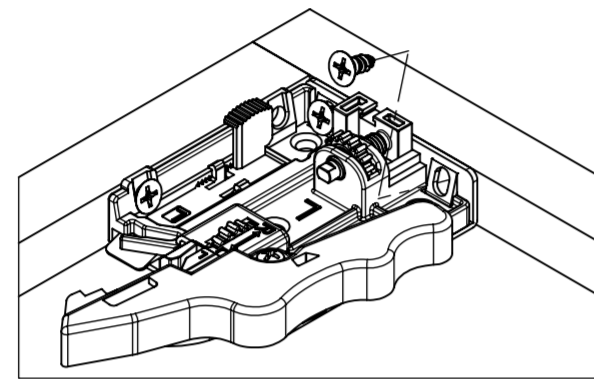
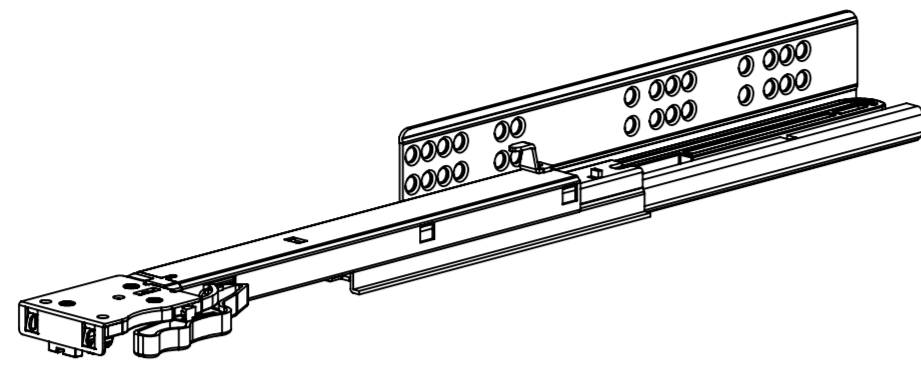
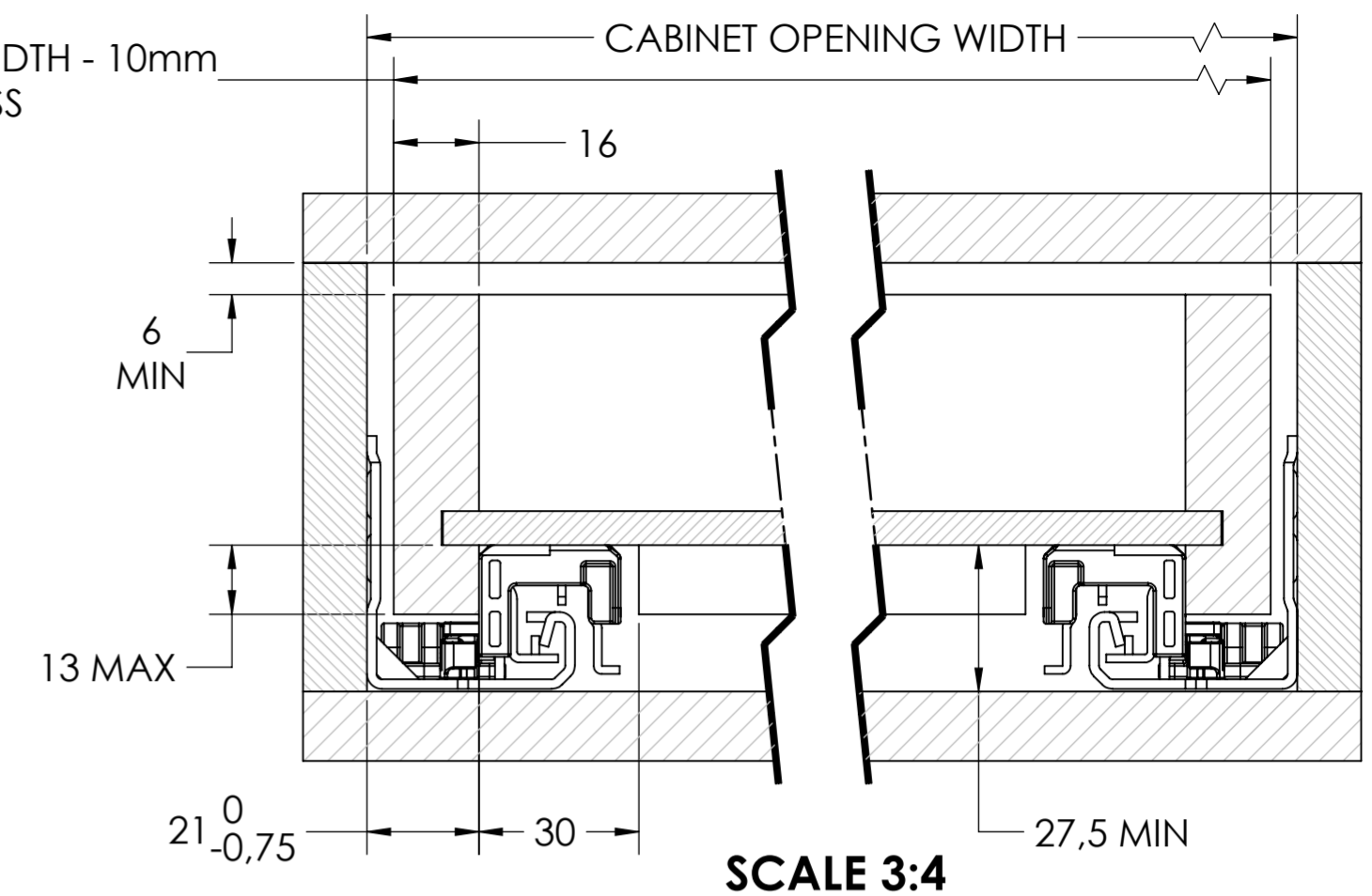
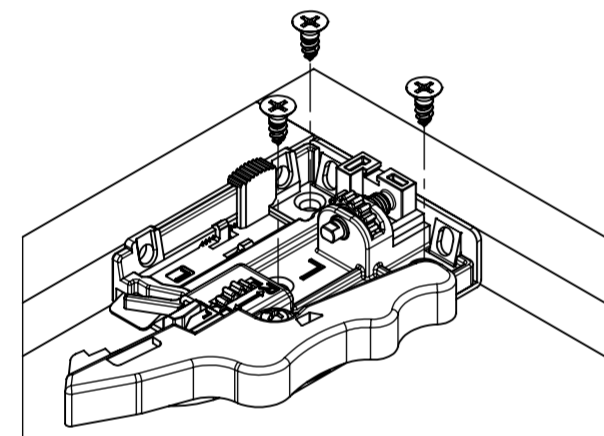
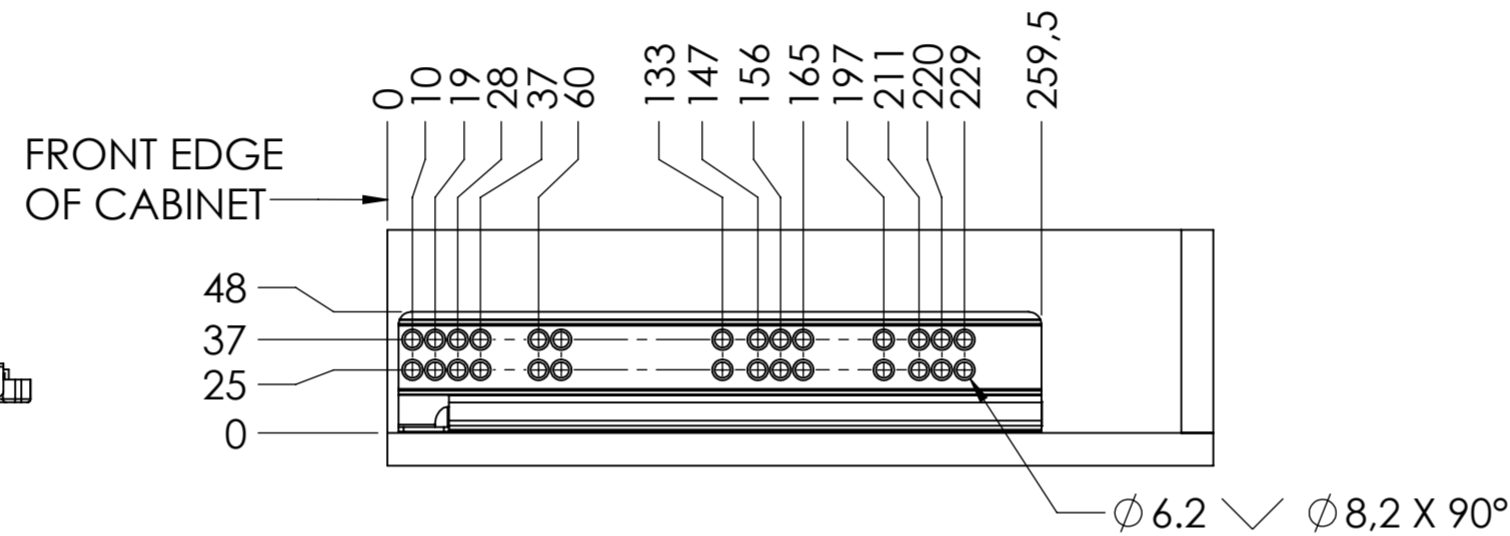


DRAWER WIDTH = CABINET OPEING WIDTH - 10mm  
WITH 16mm WALL THICKNESS

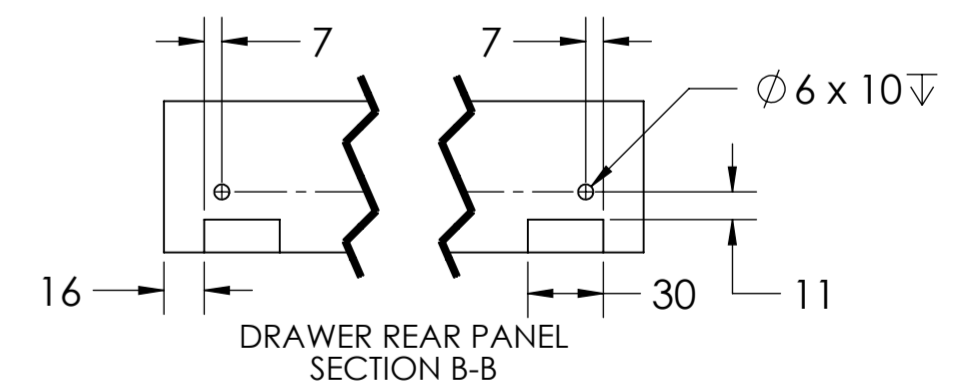
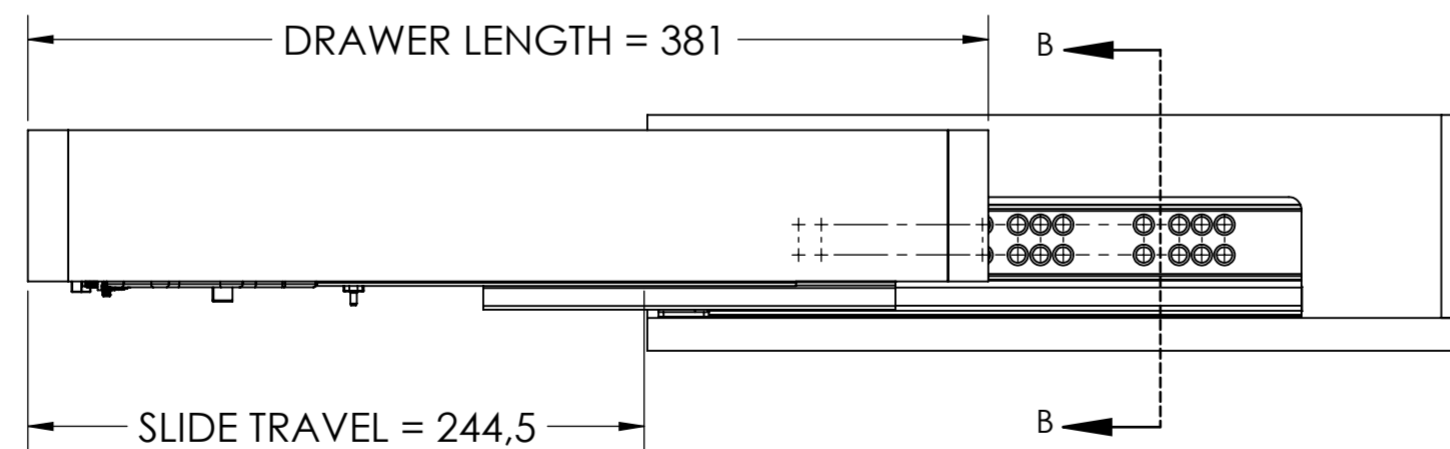
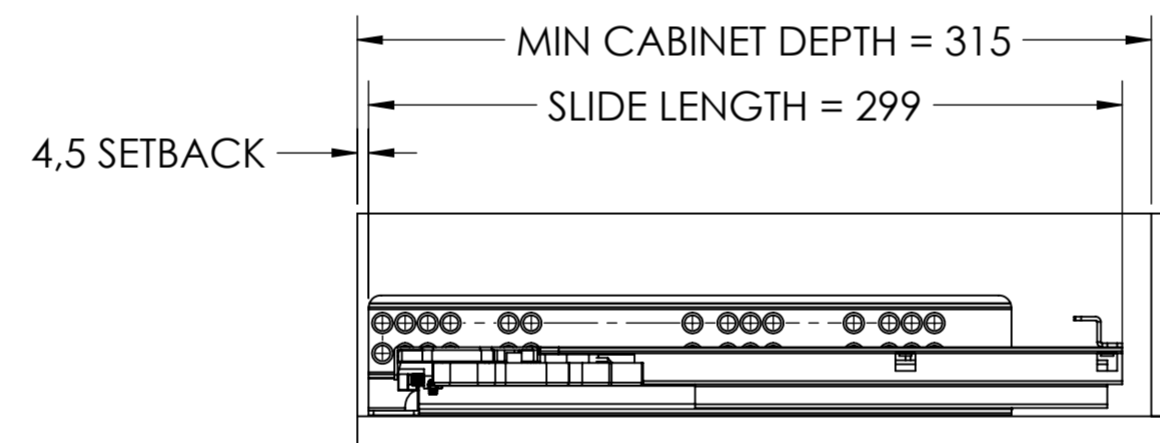


LOCKING KIT  
FRONT/SIDE MOUNT  
SCALE 1:1.5

CABINET MOUNTING HOLES



LOCKING KIT  
BOTTOM MOUNT  
SCALE 1:1.5



RECOMMENDED HARDWARE:

CABINET- M4 OR #6 FLATHEAD SCREWS

DRAWER LOCKING KIT- M3 OR #6 FLATHEAD SCREW

**NOTE:** LOCKING KIT INCLUDED WITH SLIDE

general tolerances		DIN ISO 128-30 missing dimensions see 3D = theor. intersection	
ISO 2768-m			
This drawing remains our property and may not be multiplied neither be disclosed to third parties (§§1,3 and 5 from the copyright Act (UrhG)) covered according to DIN ISO 16016			
(k)	scale:	1:3	surface:
(l)	date:	24-04-2019	name:
(m)	drawn:	HB	description:
(n)	proven:	00-00-0000	00
(o)	<b>Fulterer</b>		UNDERMOUNT FULL EXTENSION SOFT CLOSE SLIDE WITH 3 WAY LOCKING KIT
(p)			
(q)	Fulterer AG & Co KG A-6890 Lustenau / Austria		drawing number:
(r)	Fulterer AG CH-9430 St. Margrethen		<b>3002.300-GA.C047</b>
(s)	changes	date	na.
(t)	ind.		replaces version date: