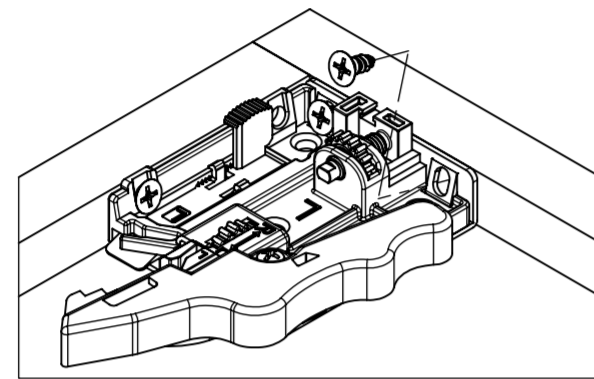
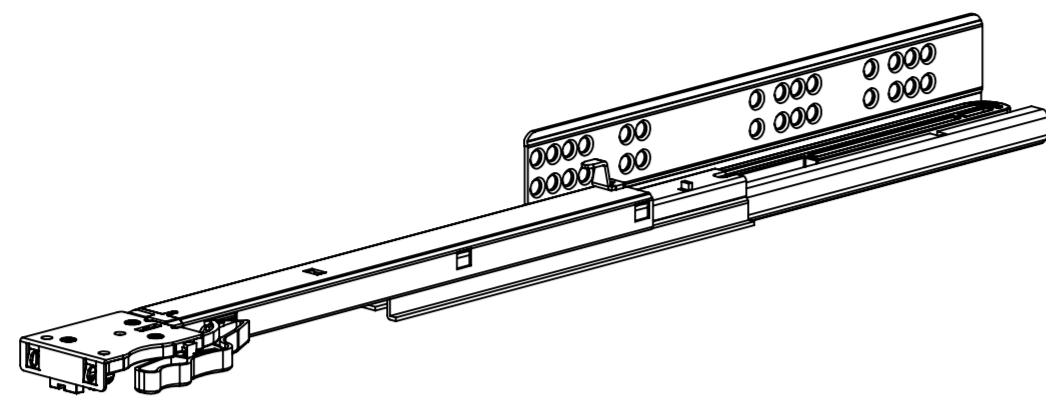
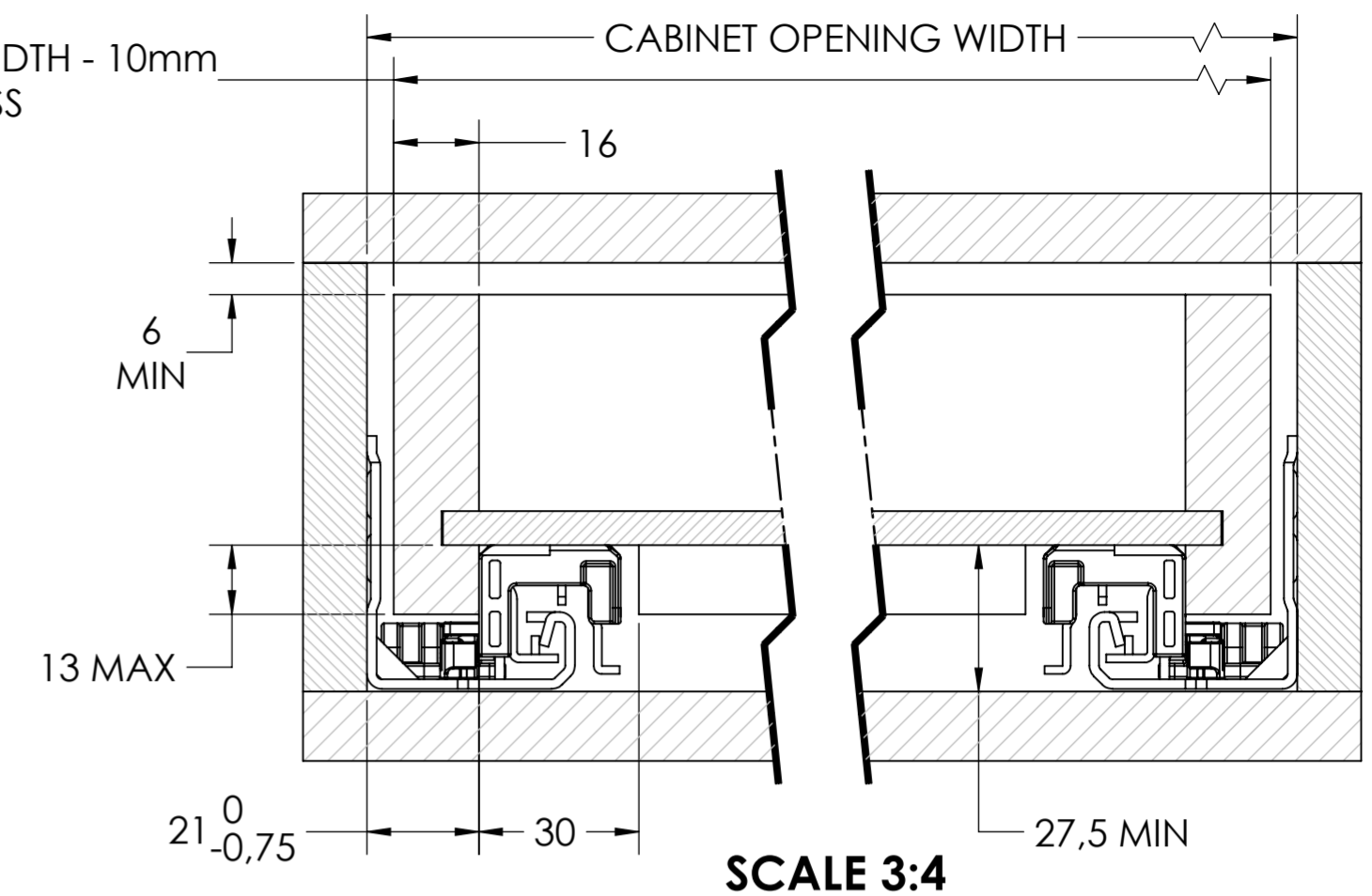
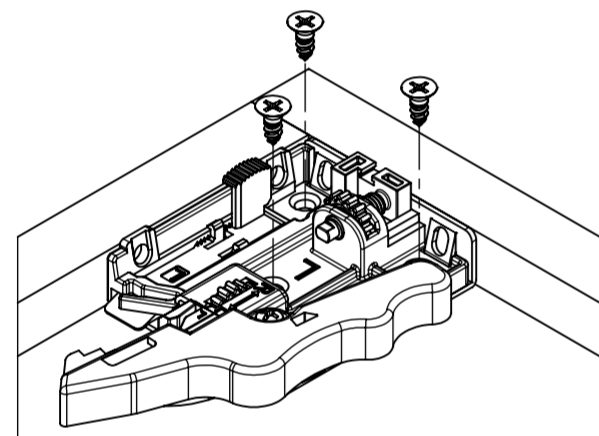
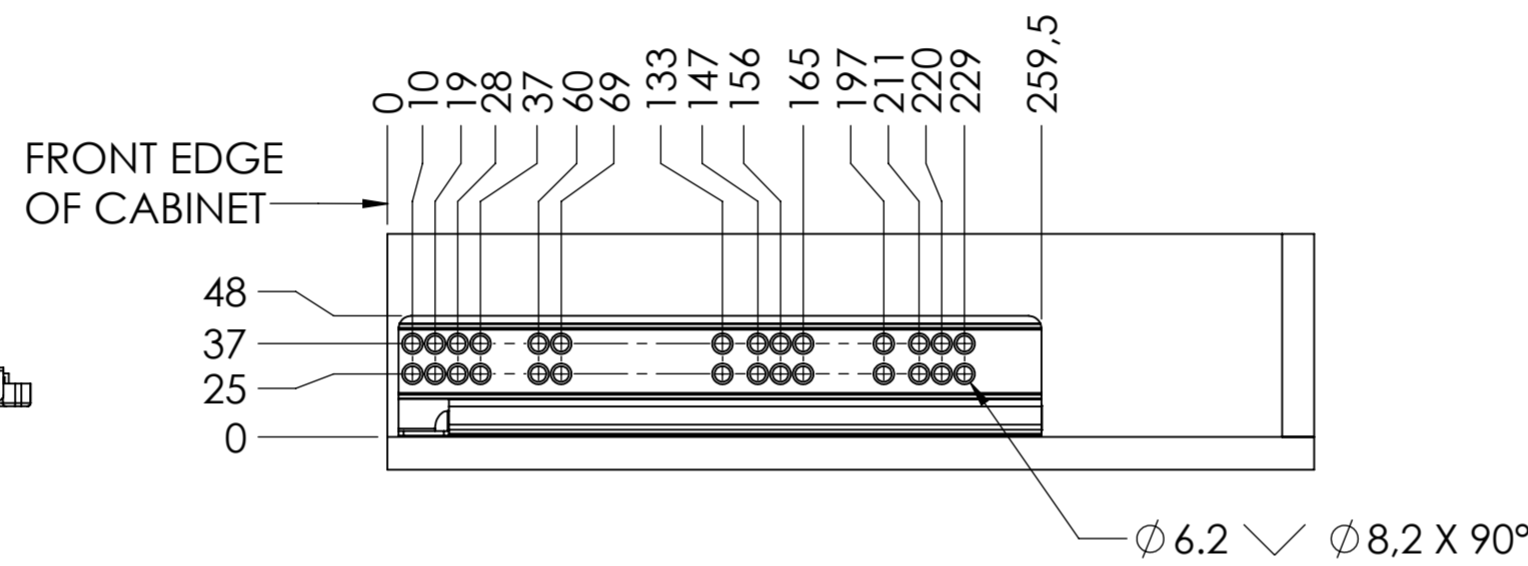


DRAWER WIDTH = CABINET OPEING WIDTH - 10mm  
WITH 16mm WALL THICKNESS

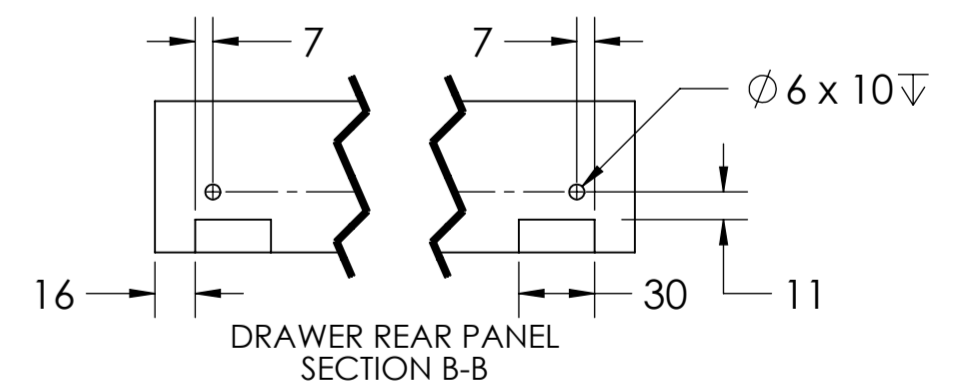
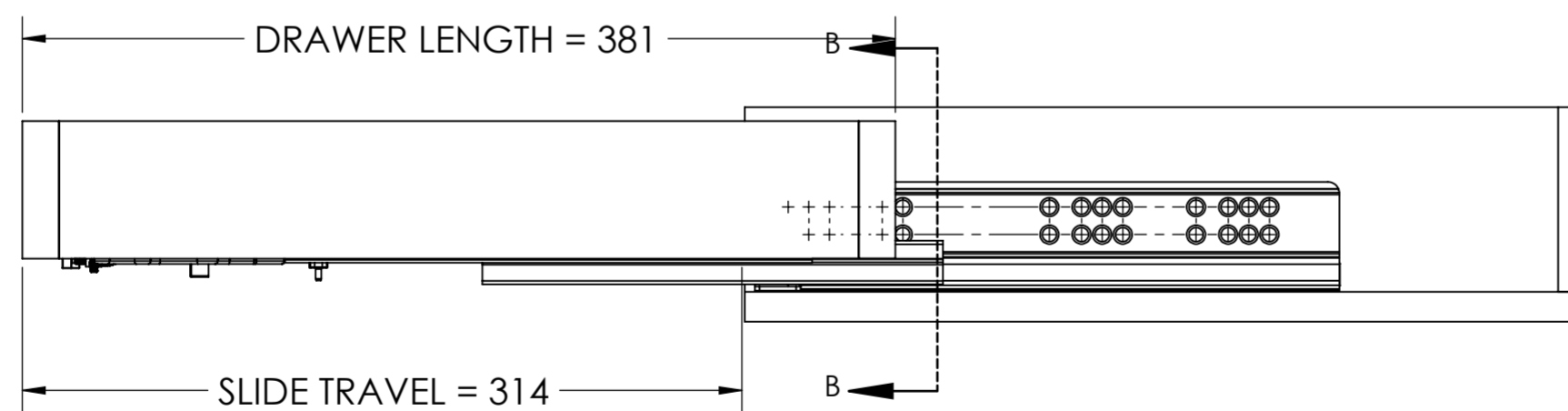
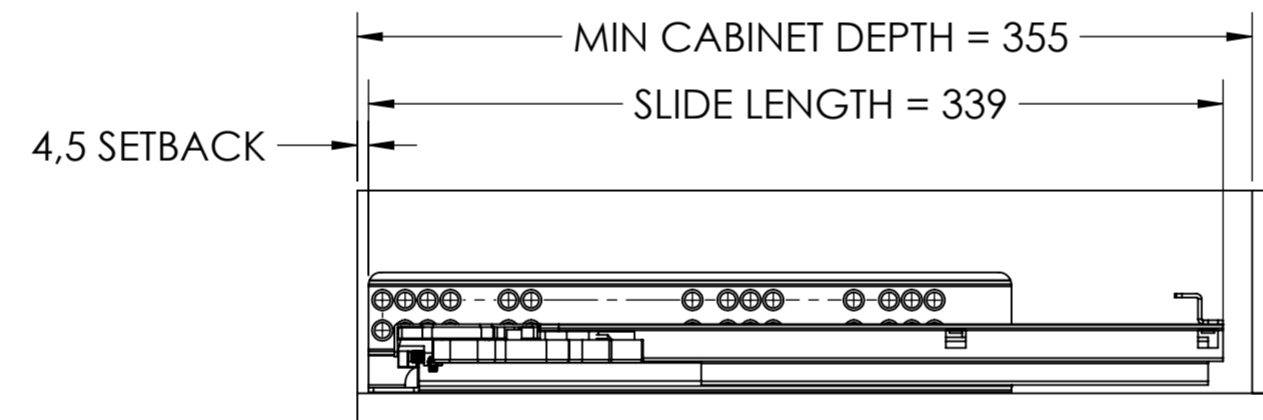


LOCKING KIT  
FRONT/SIDE MOUNT  
SCALE 1:1.5

**CABINET MOUNTING HOLES**



LOCKING KIT  
BOTTOM MOUNT  
SCALE 1:1.5



**RECOMMENDED HARDWARE:**

CABINET- M4 OR #6 FLATHEAD SCREWS

DRAWER LOCKING KIT- M3 OR #6 FLATHEAD SCREW

**NOTE:** LOCKING KIT INCLUDED WITH SLIDE

general tolerances		DIN ISO 128-30 missing dimensions see 3D = theor. intersection	
ISO 2768-m			
This drawing remains our property and may not be multiplied neither be disclosed to third parties (§§1,3 and 5 from the copyright Act (UrhG)) covered according to DIN ISO 16016			
(k)	scale:	1:3	surface:
(l)	date:	24-04-2019	name:
(m)	drawn:	HB	
(n)	proven:	00-00-0000	00
(o)	<b>Fulterer</b>		material, semi finished parts: <b>STEEL</b>
(p)			(technical requirements Fulterer)
(q)			description:
(r)			UNDERMOUNT FULL EXTENSION
(s)			SOFT CLOSE SLIDE WITH 3 WAY
(t)			LOCKING KIT
(u)			drawing number:
(v)			<b>3002.340-GA.C047</b>
(w)			replaces version date:
(x)	ind. changes	date	na.
(y)	0	00-00-0000	0