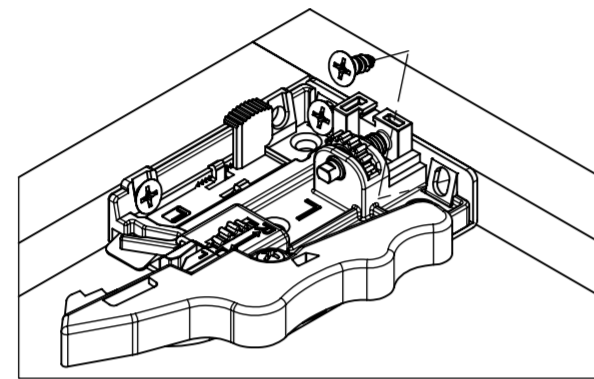
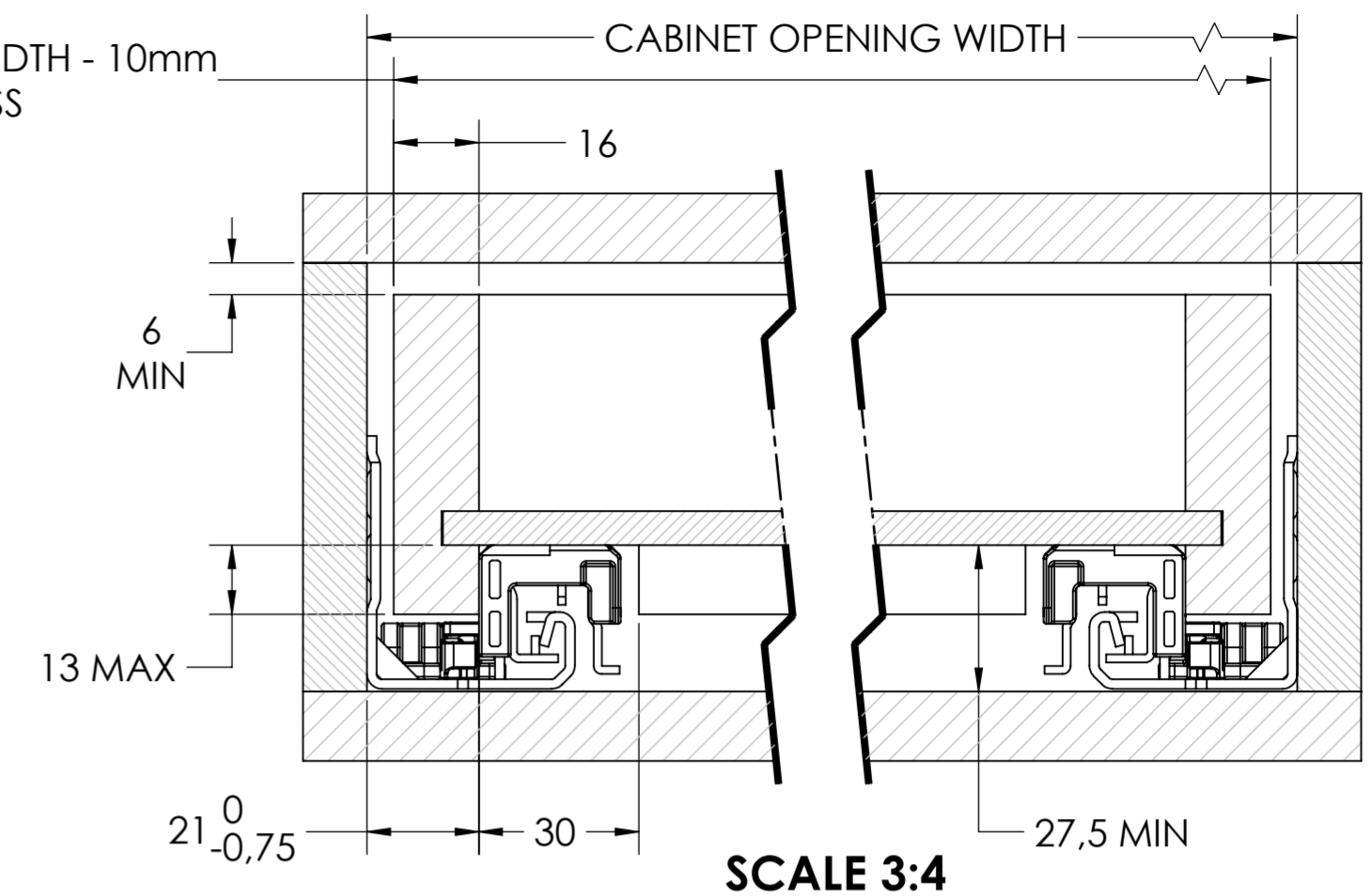
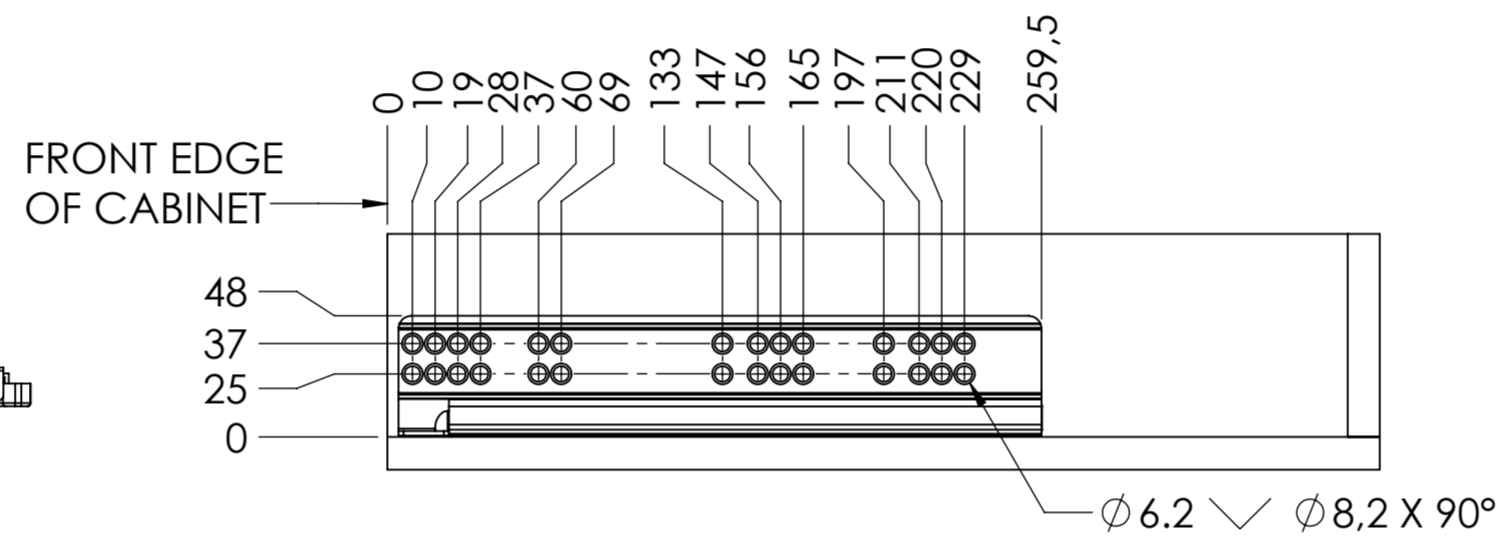


DRAWER WIDTH = CABINET OPEING WIDTH - 10mm  
WITH 16mm WALL THICKNESS



LOCKING KIT  
FRONT/SIDE MOUNT  
SCALE 1:1.5

CABINET MOUNTING HOLES



FRONT EDGE  
OF CABINET

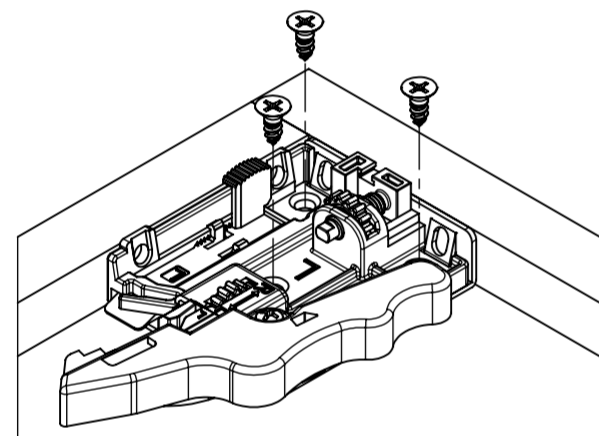
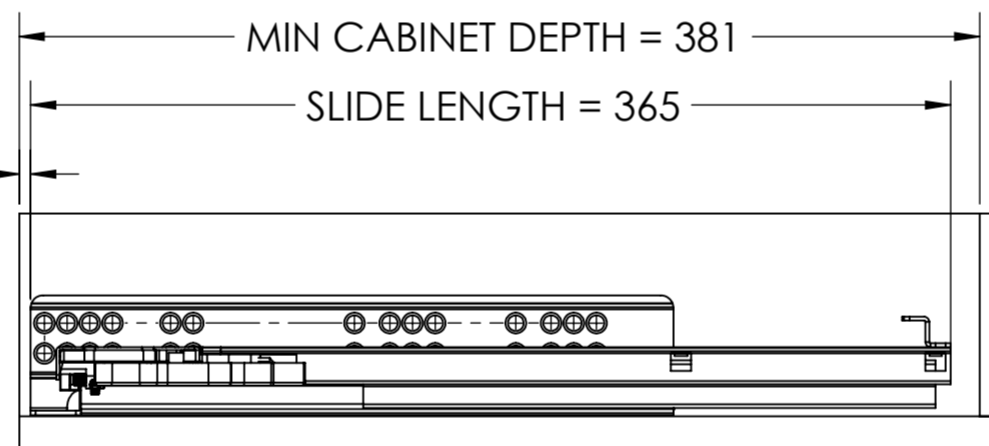
48  
37  
25  
0

Ø 6.2 √ Ø 8,2 X 90°

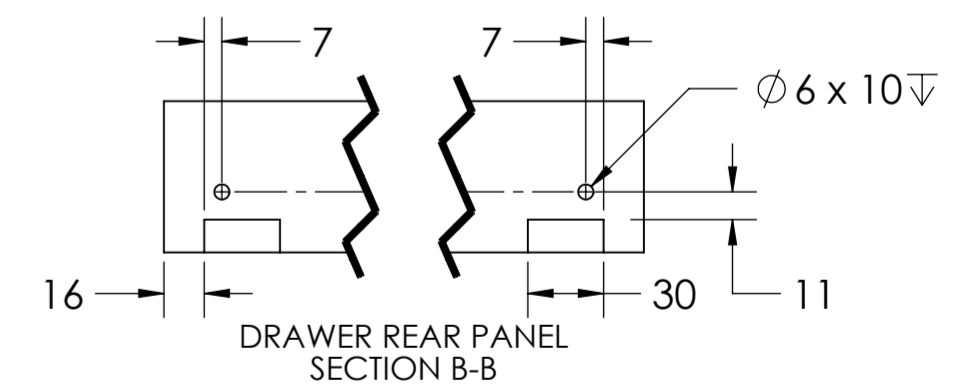
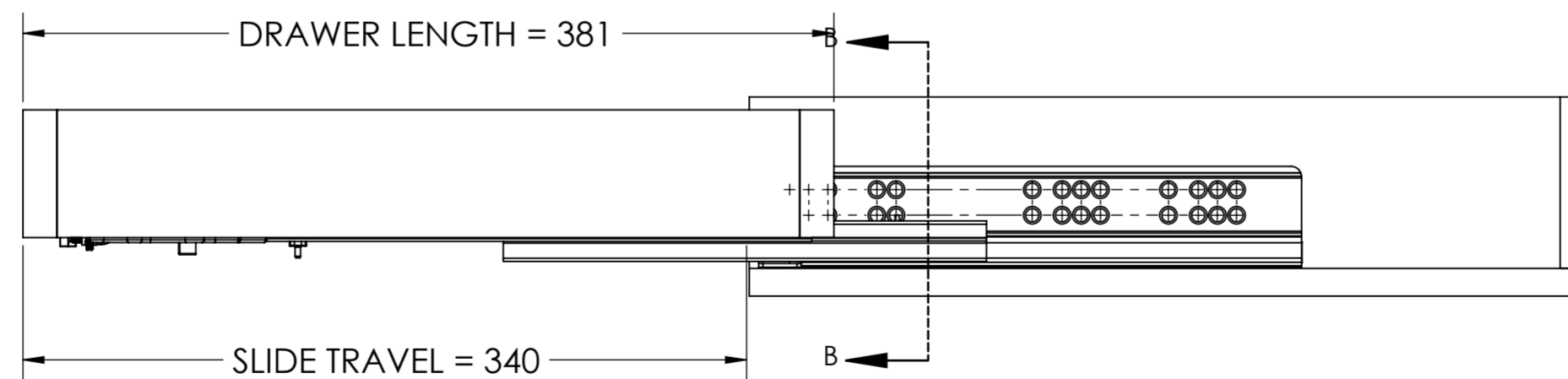
MIN CABINET DEPTH = 381

SLIDE LENGTH = 365

4,5 SETBACK



LOCKING KIT  
BOTTOM MOUNT  
SCALE 1:1.5



RECOMMENDED HARDWARE:

CABINET- M4 OR #6 FLATHEAD SCREWS

DRAWER LOCKING KIT- M3 OR #6 FLATHEAD SCREW

NOTE: LOCKING KIT INCLUDED WITH SLIDE

general tolerances		DIN ISO 128-30 missing dimensions see 3D = theor. intersection	
ISO 2768-m			
This drawing remains our property and may not be multiplied neither be disclosed to third parties (§§1,3 and 5 from the copyright Act (UrhG)) covered according to DIN ISO 16016			
(k)	scale:	1:3	surface:
(l)	date	24-04-2019	name
(m)	drawn	HB	
(n)	proven	00-00-0000	00
(o)	<b>Fulterer</b>		
(p)			
(q)	Fulterer AG & Co KG A-6890 Lustenau / Austria		
(r)	Fulterer AG CH-9430 St. Margrethen		
(s)	drawing number: <b>3002.366-GA.C047</b>		
(t)	replaces version date:		
(u)	changes	date	na.