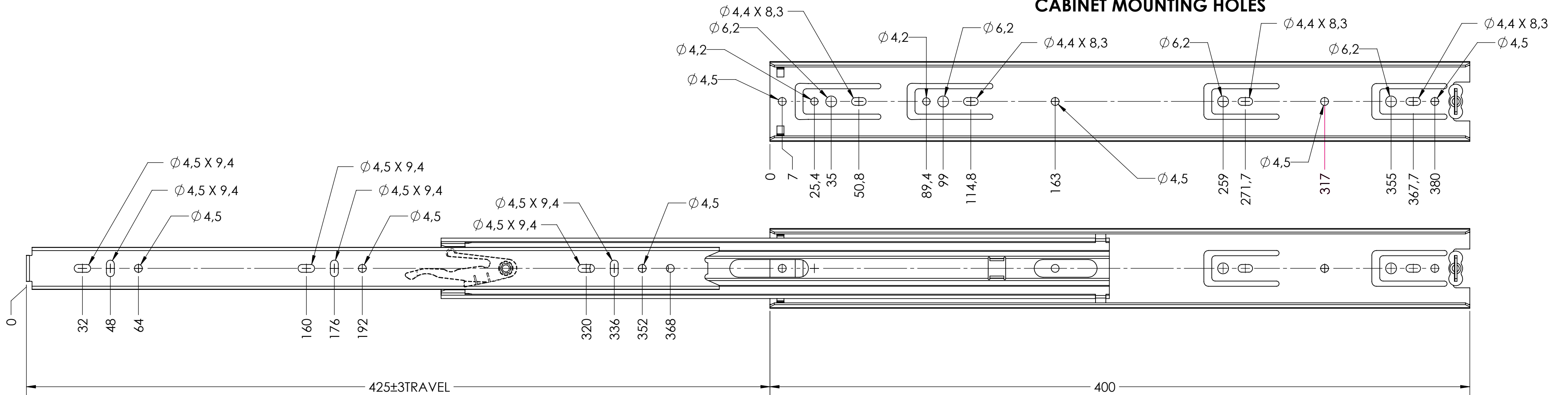


### CABINET MOUNTING HOLES



#### RECOMMENDED HARDWARE:

CABINET- 3.5mm SPAX M4 BUTTON HEAD OR #8 TRUSS HEAD SCREW

DRAWER- 3.5mm SPAX M4 BUTTON HEAD OR #8 TRUSS HEAD SCREW

|   |                                       |  |   |
|---|---------------------------------------|--|---|
| general tolerances  |                                       | DIN ISO 128-30<br>missing dimensions see 3D<br>= theor. intersection |   |
| ISO 2768-m  |                                       |  |   |
| This drawing remains our property and may not be multiplied neither be disclosed to third parties (§§1,3 and 5 from the copyright Act (UrhG))<br>covered according to DIN ISO 16016 |                                       |  |   |
| (k)   | scale:                                | surface:   | material, semi finished parts:  |
| (l)   | 5:8                                   |  | STEEL   |
| (m)   | date                                  | name   | (technical requirements Fulterer)   |
| (n)   | drawn 01-02-2019                      | HB   | description:<br>SIDE MOUNT OVER-EXTENSION<br>DRAWER SLIDE WITH DRAWER<br>DISCONNECT |
| (o)   | proven 00-00-0000                     | 00   |   |
| (p)   | <b>Fulterer</b>                       |  | drawing number:<br><b>5000.400-GA.T030</b>  |
| (q)   |                                       |  |   |
| (r)   | Fulterer AG<br>CH-9430 St. Margrethen |  | replaces version date:  |
| (s)   | ind.                                  | changes  | date  |
| (t)   | 0                                     | 00-00-0000   | 0   |
| (u)   |                                       |  |   |