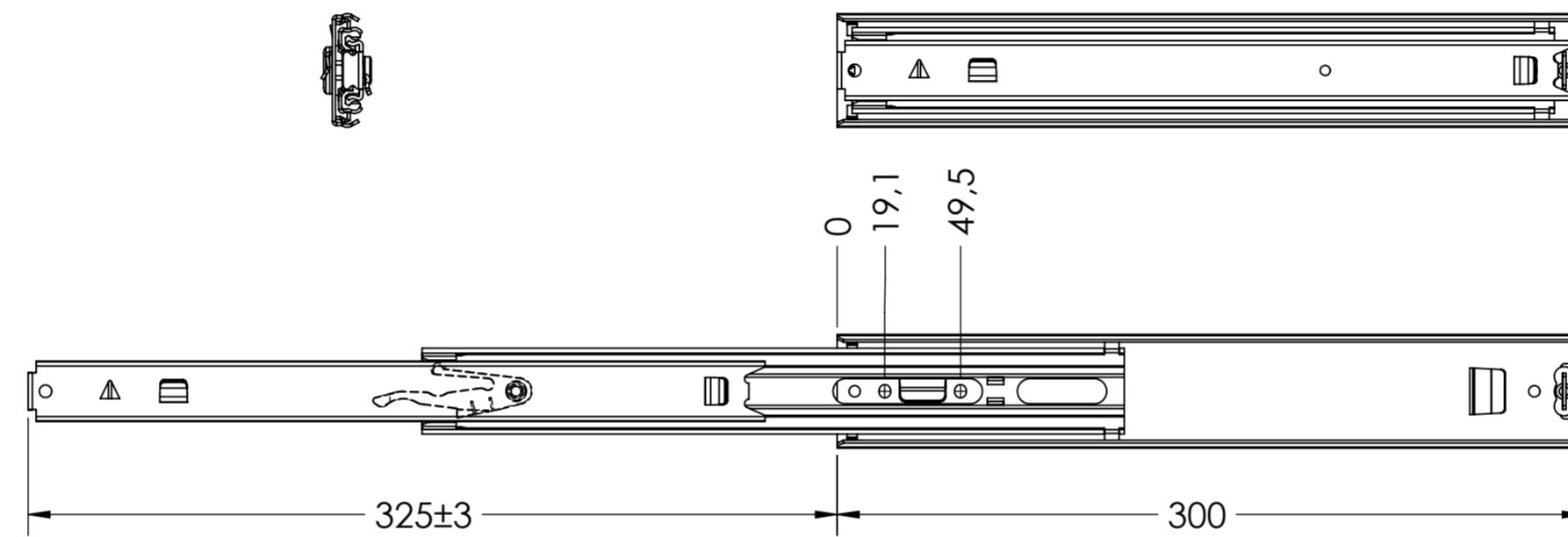
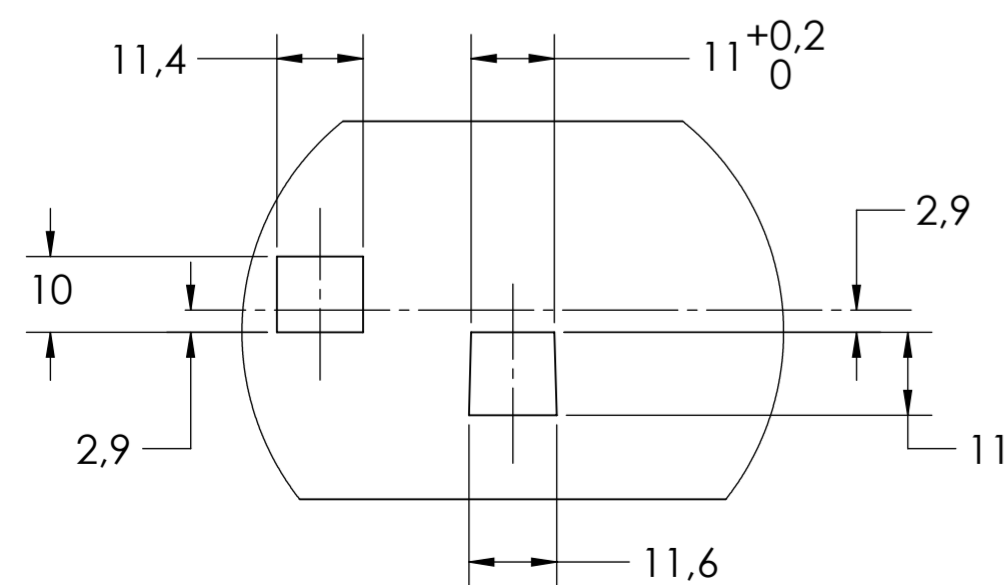
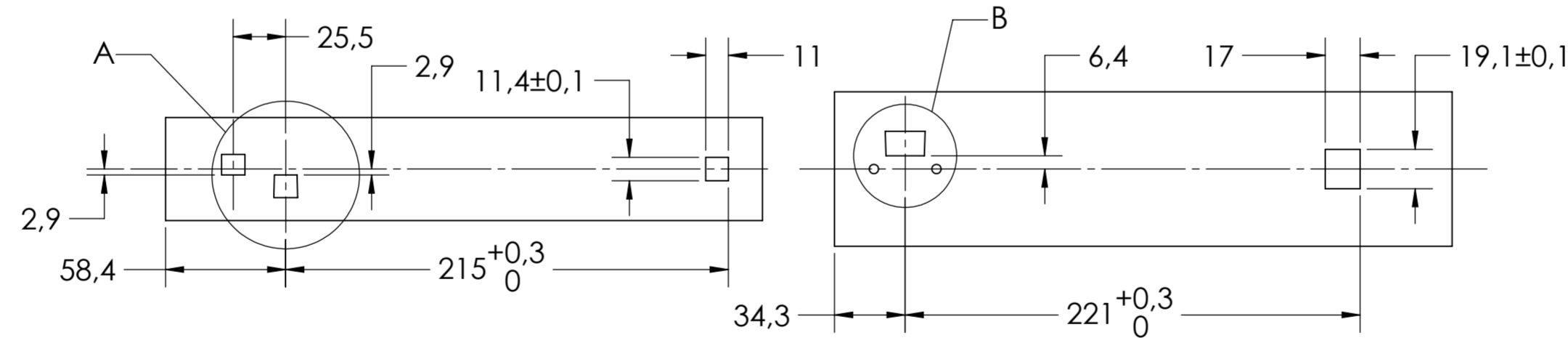


SCALE 1:1

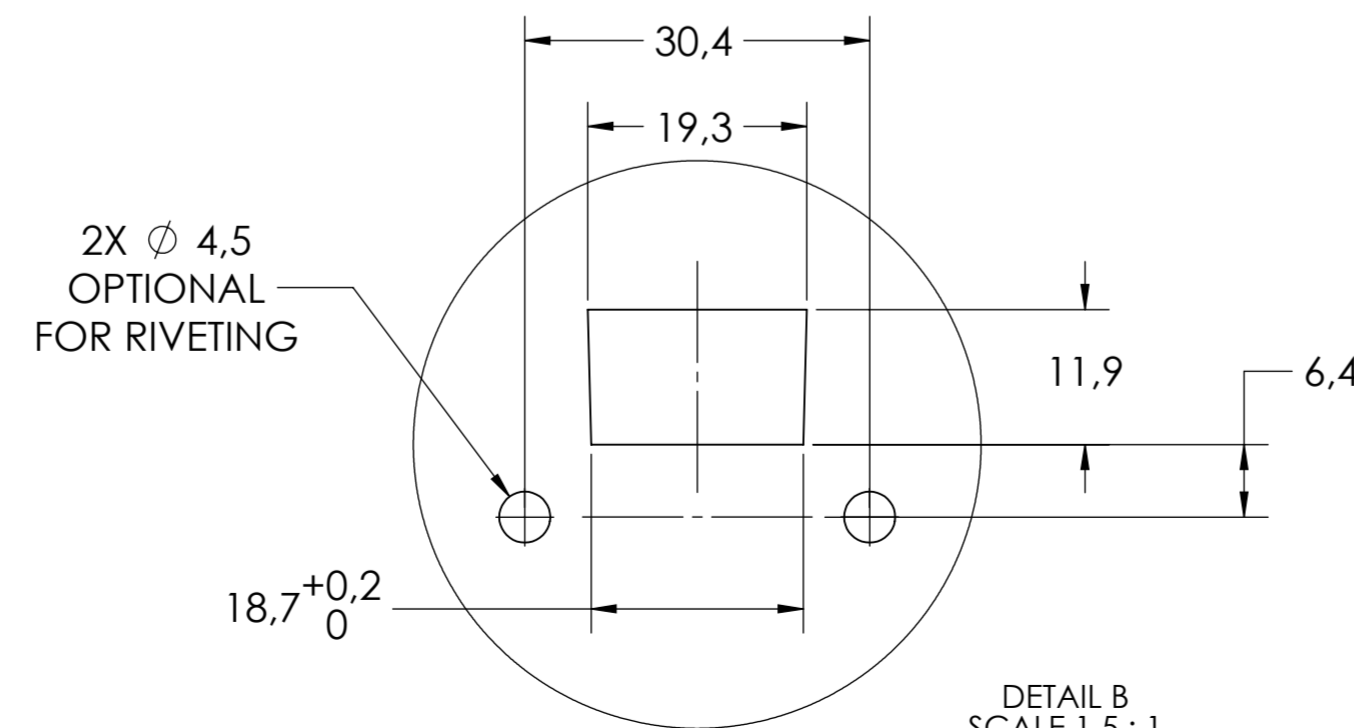


DRAWER MOUNTING CUTOUTS

CABINET MOUNTING CUTOUTS



DETAIL A
SCALE 1:1



DETAIL B
SCALE 1.5:1

| | | | |
|--|---------|---|-----|
| general tolerances | | DIN ISO 128-30 missing dimensions see 3D = theor. intersection | |
| ISO 2768-m | | | |
| This drawing remains our property and may not be multiplied neither be disclosed to third parties (§§1,3 and 5 from the copyright Act (UrhG)) covered according to DIN ISO 16016 | | | |
| scale: 3:8 | | surface: A2 | |
| date: 27-07-2019 | | name: HB | |
| drawn: 27-07-2019 | | proven: 00-00-0000 00 | |
| proven: 00-00-0000 | | 00 | |
| | | material, semi finished parts: STEEL (technical requirements Fulterer) | |
| description: SIDE MOUNT OVER EXTENSION SMT (0.9) DRAWER SLIDE WITH DRAWER DISCONNECT | | drawing number: 5000.300-GA.T102 | |
| replaces version date: | | | |
| ind. | changes | date | na. |