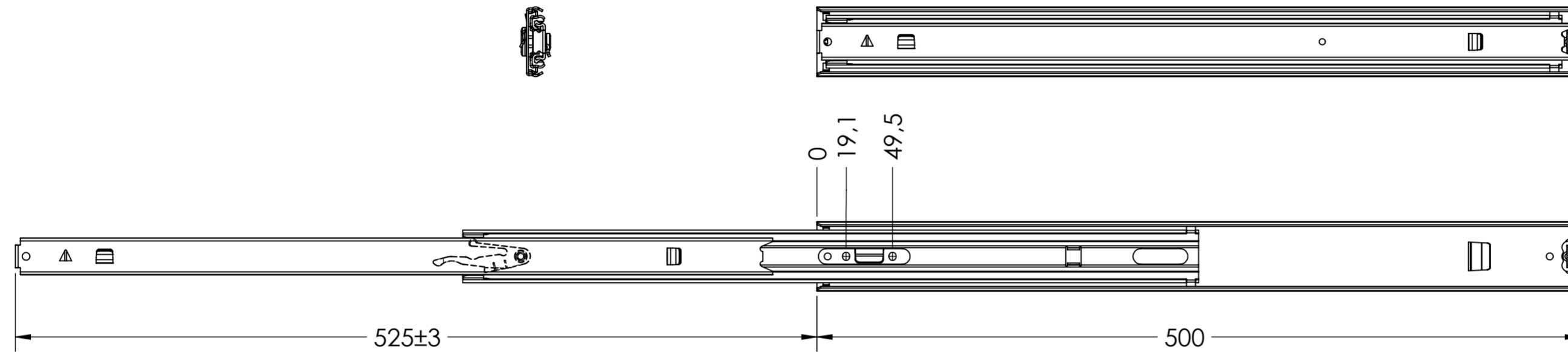
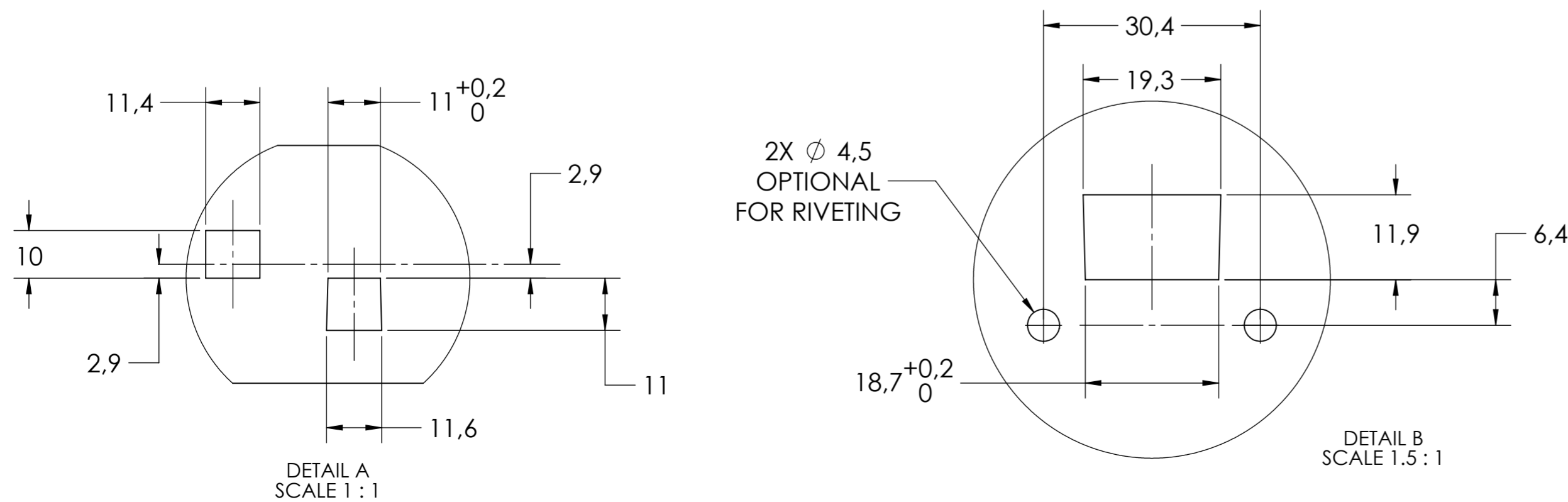
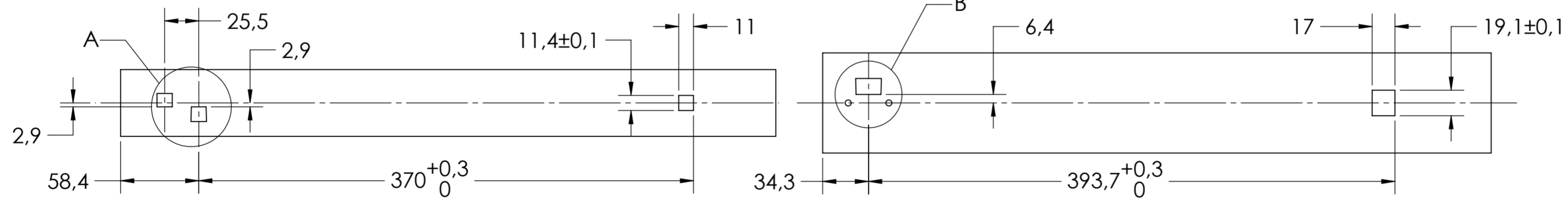


SCALE 1:1



DRAWER MOUNTING CUTOUTS

CABINET MOUNTING CUTOUTS



general tolerances		DIN ISO 128-30 missing dimensions see 3D = theor. intersection	
ISO 2768-m			
This drawing remains our property and may not be multiplied neither be disclosed to third parties (§§1,3 and 5 from the copyright Act (UrhG)) covered according to DIN ISO 16016			
scale: 1:3		surface: A2	
date: 29-07-2019		name: HB	
drawn: 29-07-2019		proven: 00-00-0000	
proven: 00-00-0000		00	
Fulterer		material, semi finished parts: STEEL (technical requirements Fulterer)	
Fulterer AG & Co KG A-6890 Lustenau / Austria		description: SIDE MOUNT OVER EXTENSION SMT (0.9) DRAWER SLIDE WITH DRAWER DISCONNECT	
Fulterer AG CH-9430 St. Margrethen		drawing number: 5000.500-GA.T102	
ind. changes		date	
na.		replaces version date:	