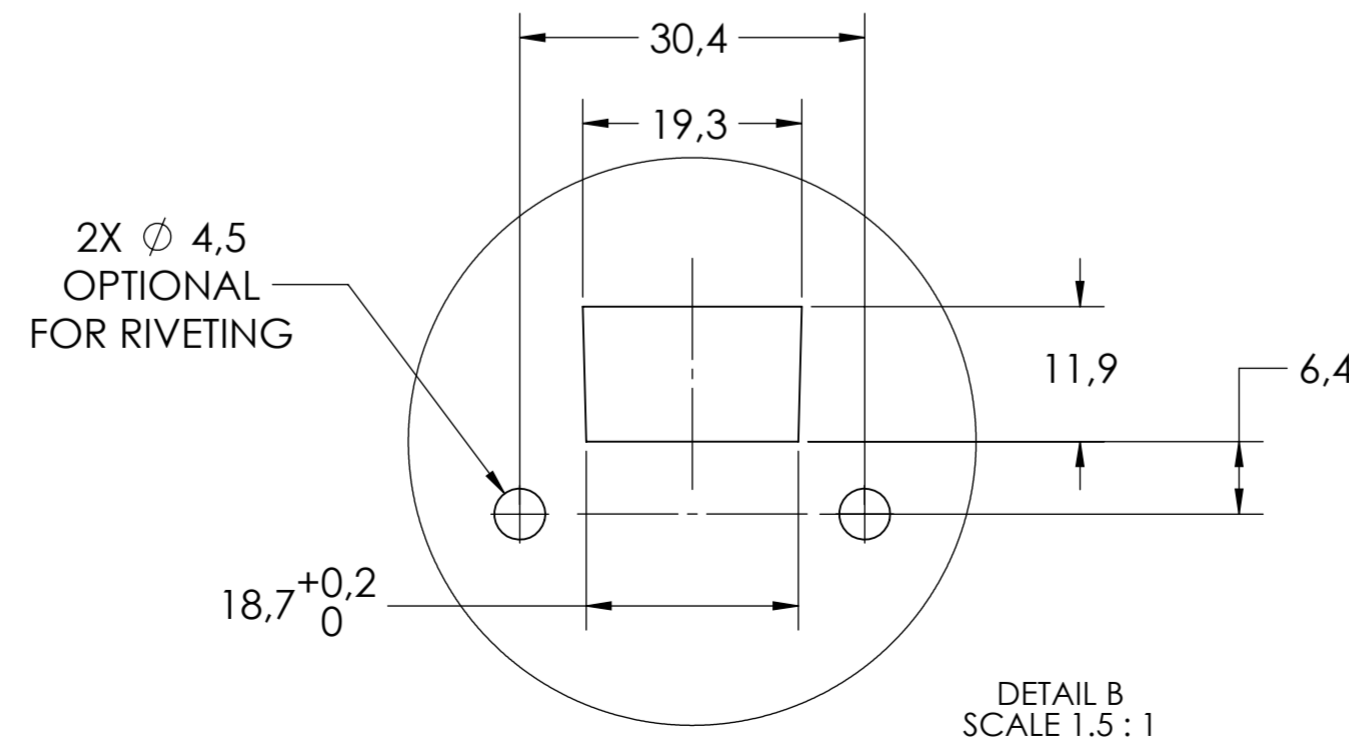
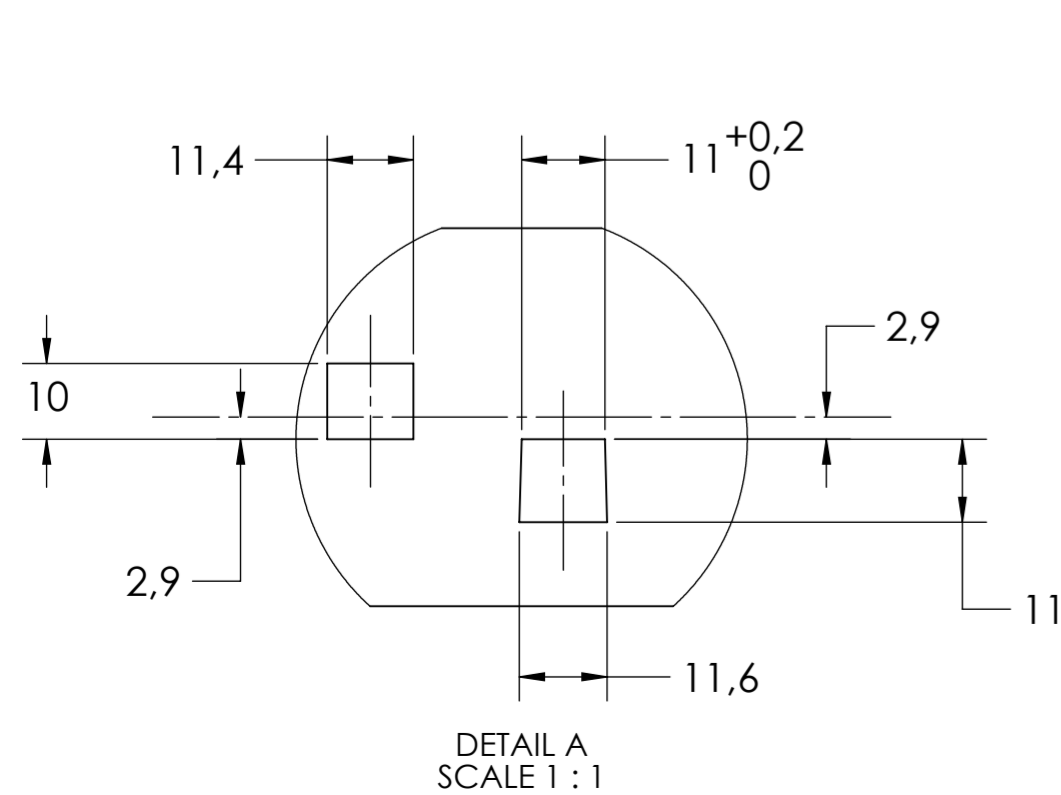
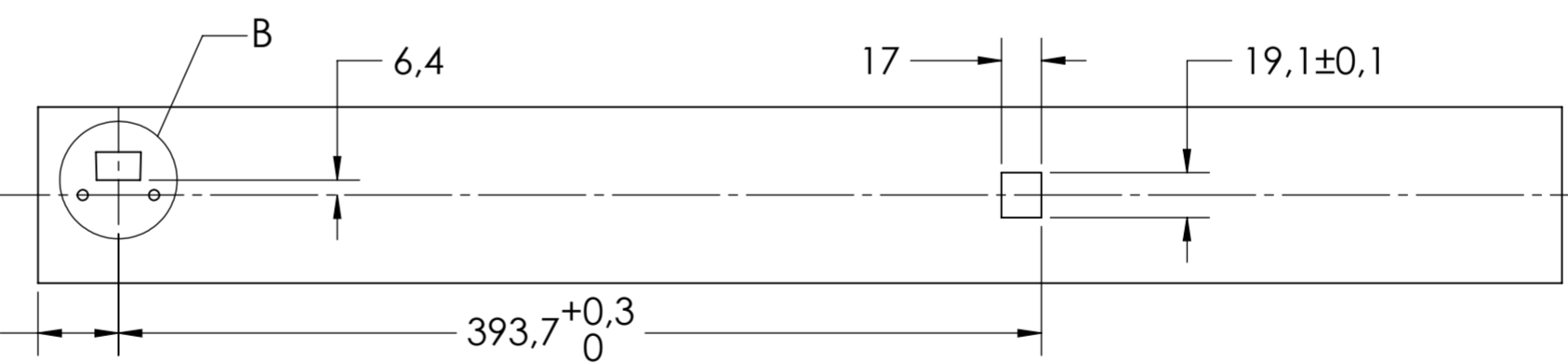
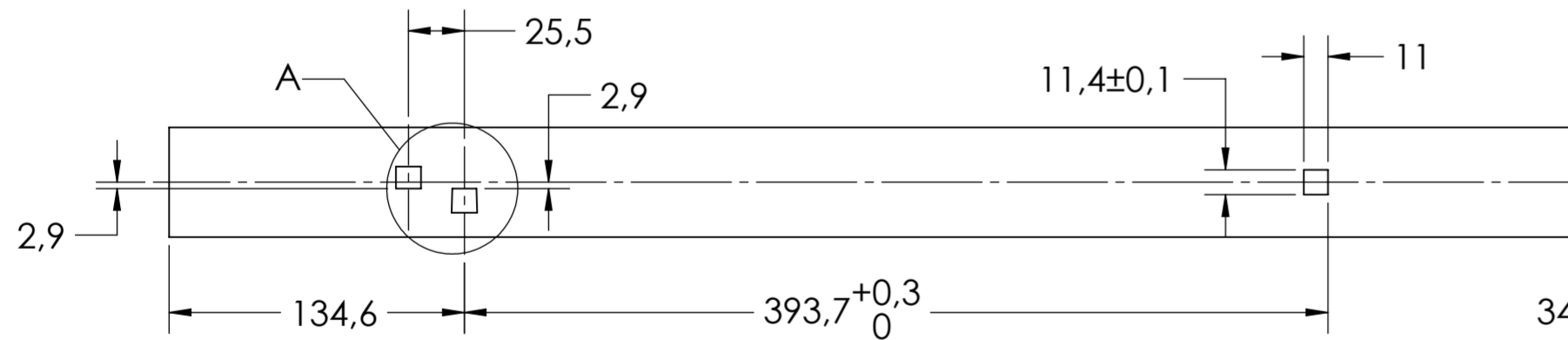


### DRAWER MOUNTING CUTOUTS

### CABINET MOUNTING CUTOUTS



|  |  |  |   |
|--|--|--|---|
| general tolerances   |  | DIN ISO 128-30<br>missing dimensions see 3D<br>= theor. intersection |   |
| ISO 2768-m   |  |  |   |
| This drawing remains our property and may not be multiplied neither be disclosed to third parties (§§1,3 and 5 from the copyright Act (UrhG)) covered according to DIN ISO 16016 |  |  |   |
| (k)  | scale:   | 1:3  | surface:  |
| (l)  | date   | 29-07-2019   | name  |
| (m)  | drawn  | HB   |   |
| (n)  | proven   | 00-00-0000   | 00  |
| (o)  | <b>Fulterer</b>                                  |  | material, semi finished parts: A2   |
| (p)  | Fulterer AG & Co KG<br>A-6890 Lustenau / Austria |  | STEEL<br>(technical requirements Fulterer)  |
| (q)  | Fulterer AG<br>CH-9430 St. Margrethen            |  | description:<br>SIDE MOUNT OVER EXTENSION<br>SMT (0.9) DRAWER SLIDE WITH<br>DRAWER DISCONNECT |
| (r)  | drawing number:                                  |  | 5000.650-GA.T102  |
| (s)  | replaces version date:                           |  |   |
| (t)  | ind.   | changes  | date  |
| (u)  | na.  | 00-00-0000   | 0   |