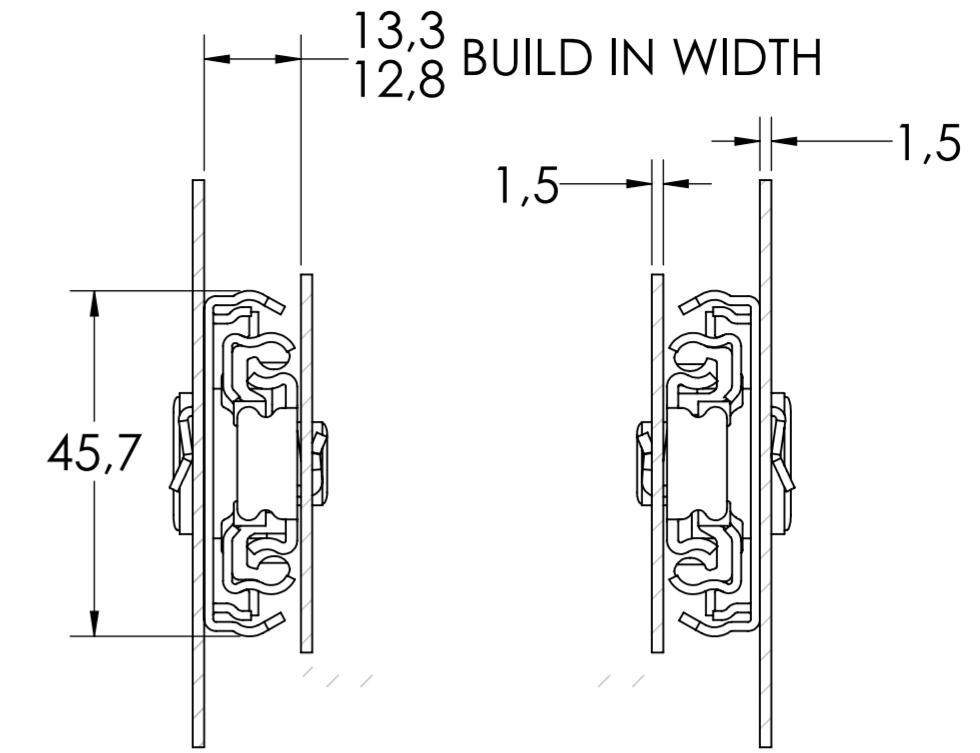
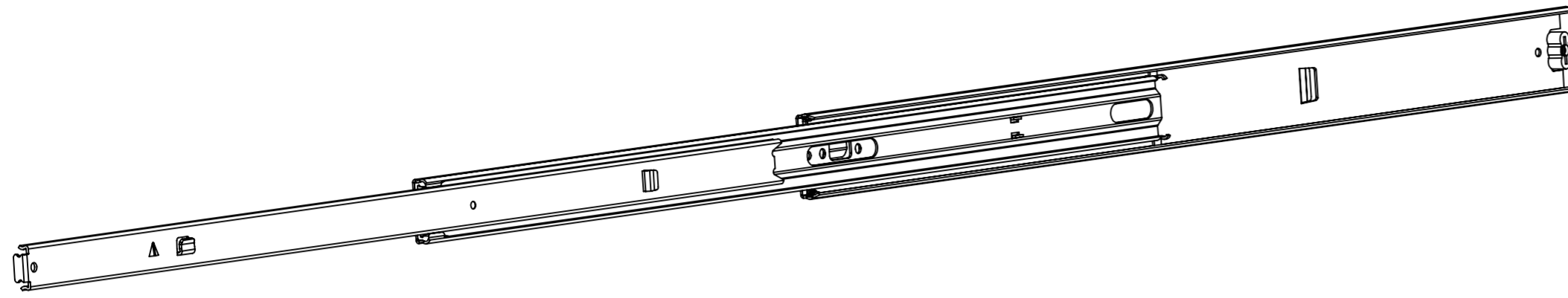
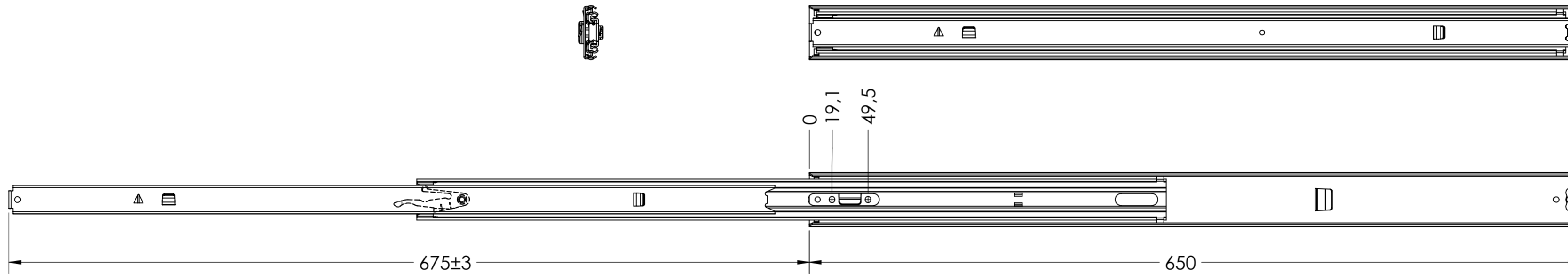


5000.650-GA.T103

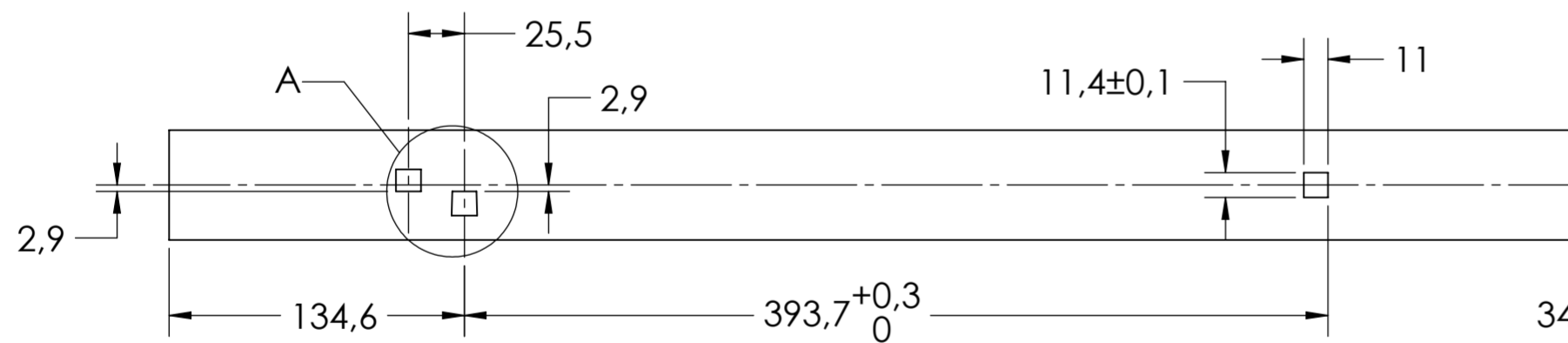
X



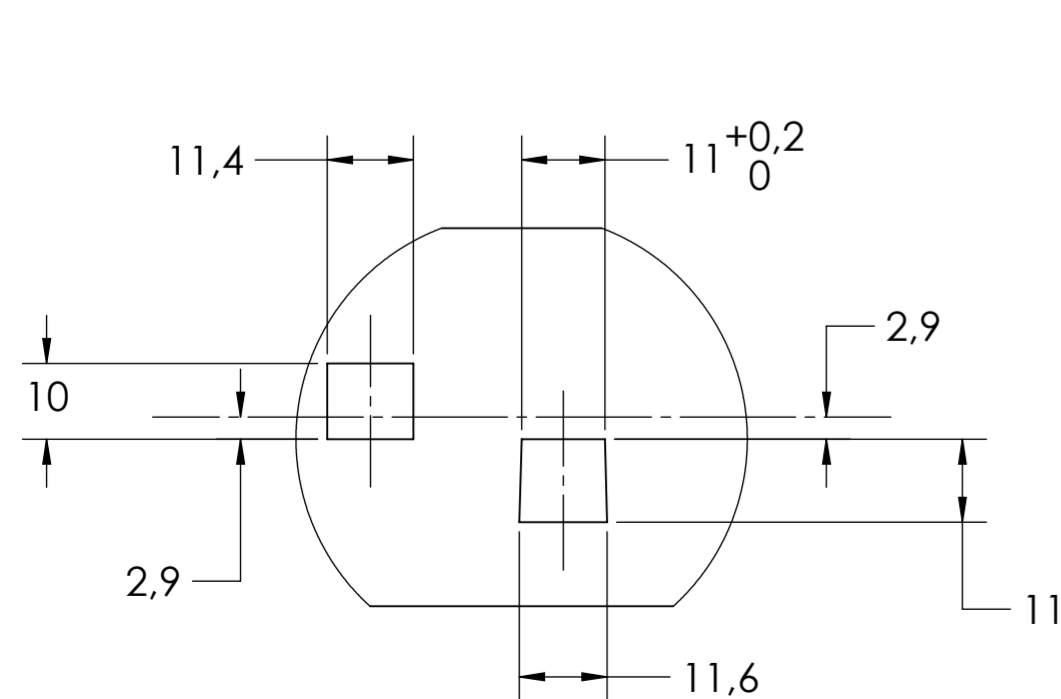
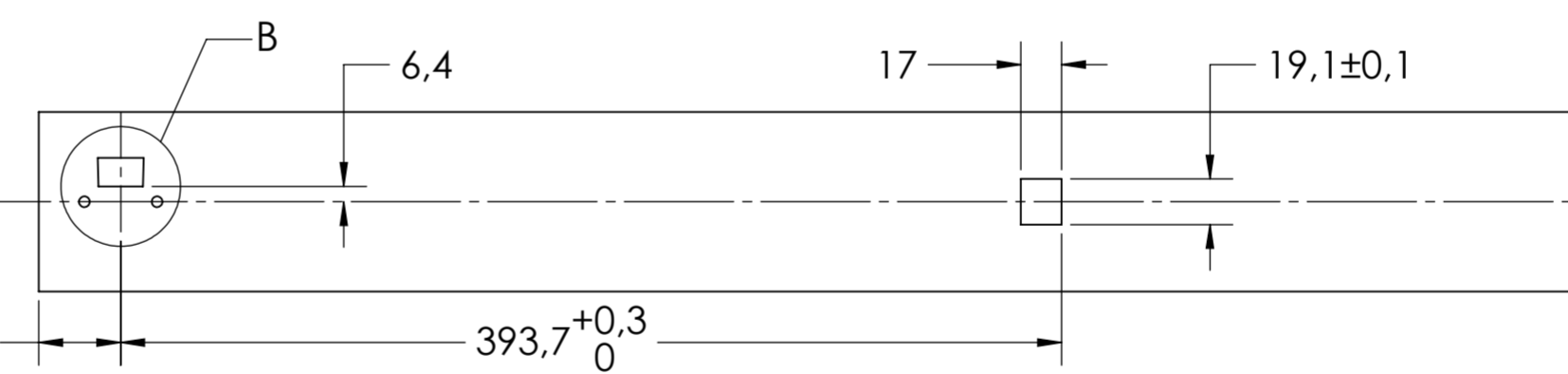
SCALE 1:1



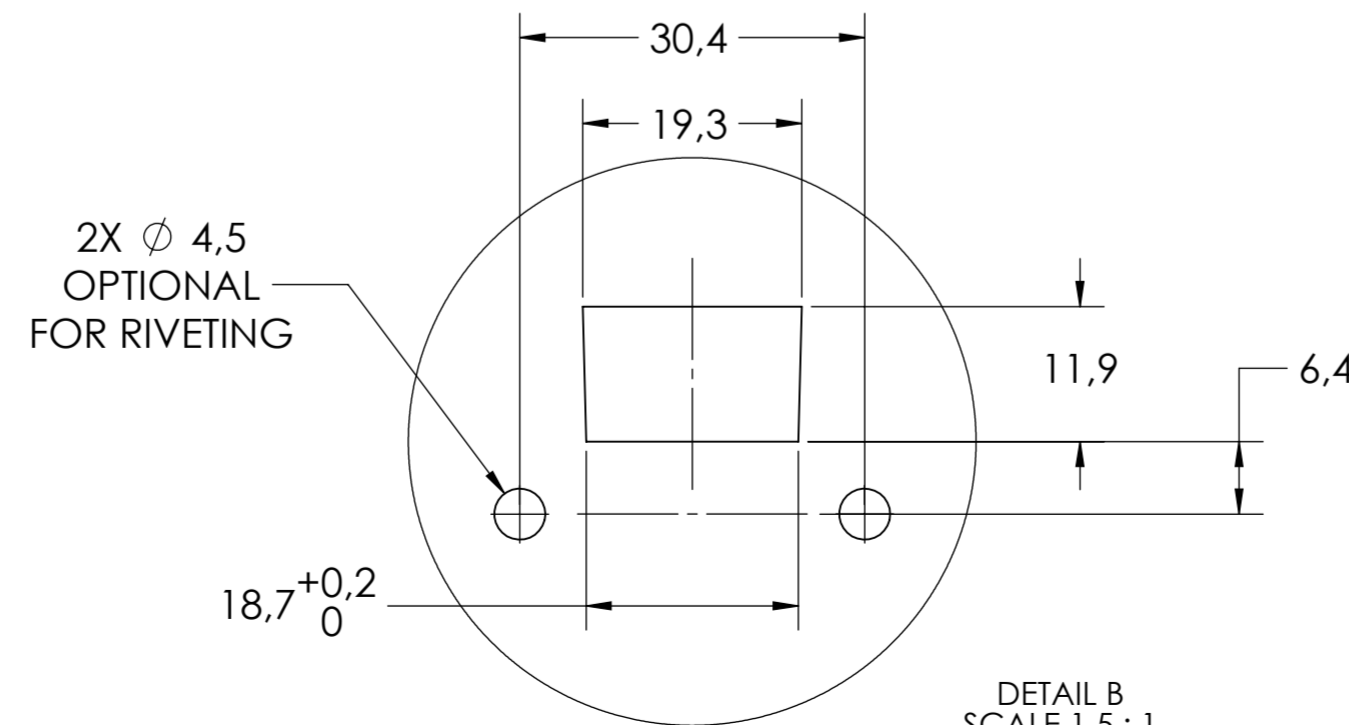
DRAWER MOUNTING CUTOUTS



CABINET MOUNTING CUTOUTS



DETAIL A
SCALE 1:1



DETAIL B
SCALE 1.5:1

general tolerances		DIN ISO 128-30 missing dimensions see 3D = theor. intersection	
ISO 2768-m			
This drawing remains our property and may not be multiplied neither be disclosed to third parties (§§1,3 and 5 from the copyright Act (UrhG)) covered according to DIN ISO 16016			
(k)	scale:	1:3	surface:
(l)	date	21-05-2019	name
(m)	drawn	HB	
(n)	proven	00-00-0000	00
(o)	Fulterer		material, semi finished parts: STEEL (technical requirements Fulterer)
(p)	Fulterer AG & Co KG A-6890 Lustenau / Austria		description: SIDE MOUNT OVER EXTENSION SMT (1.5) DRAWER SLIDE WITH DRAWER DISCONNECT
(q)	Fulterer AG CH-9430 St. Margrethen		
(r)	0	00-00-0000	0
(s)	changes	date	na.
(t)	drawing number: 5000.650-GA.T103		replaces version date:
(u)	A2		