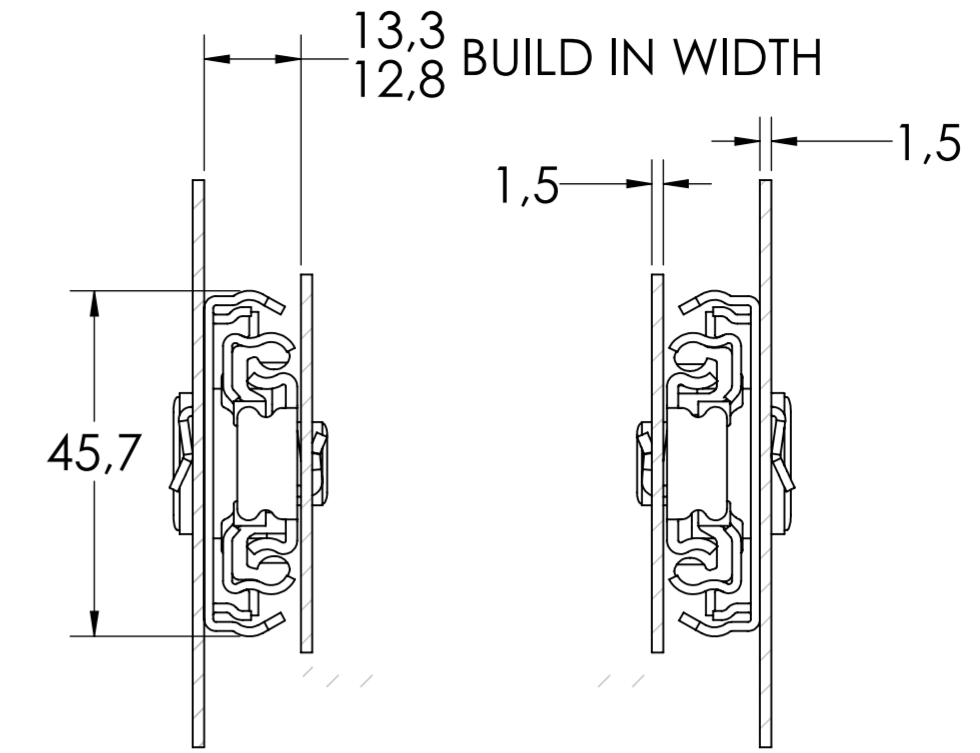
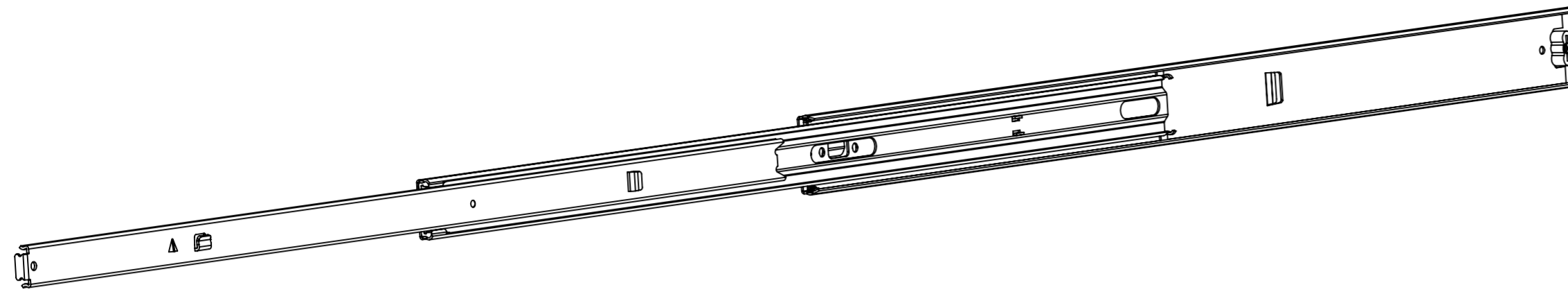
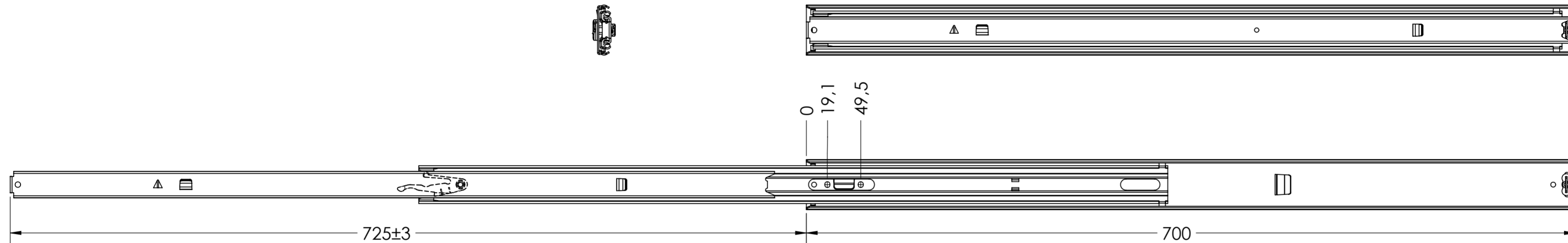


5000.700-GA.T103

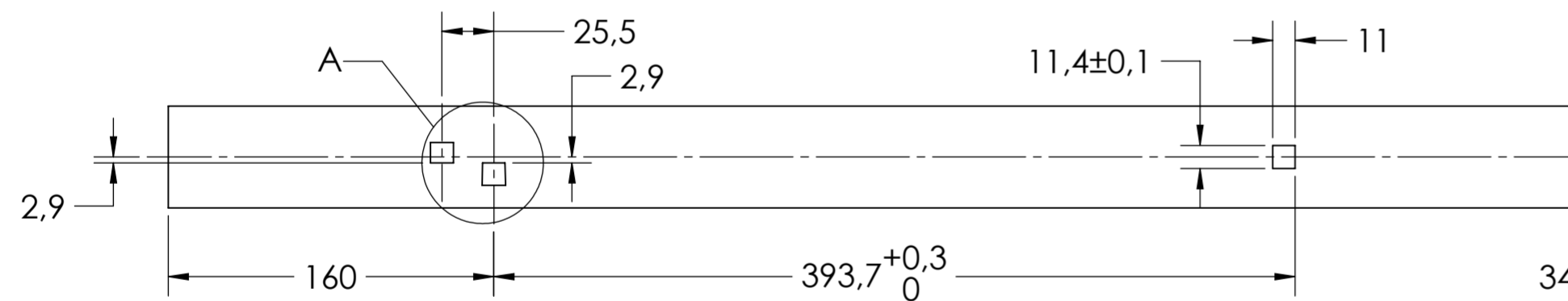
X



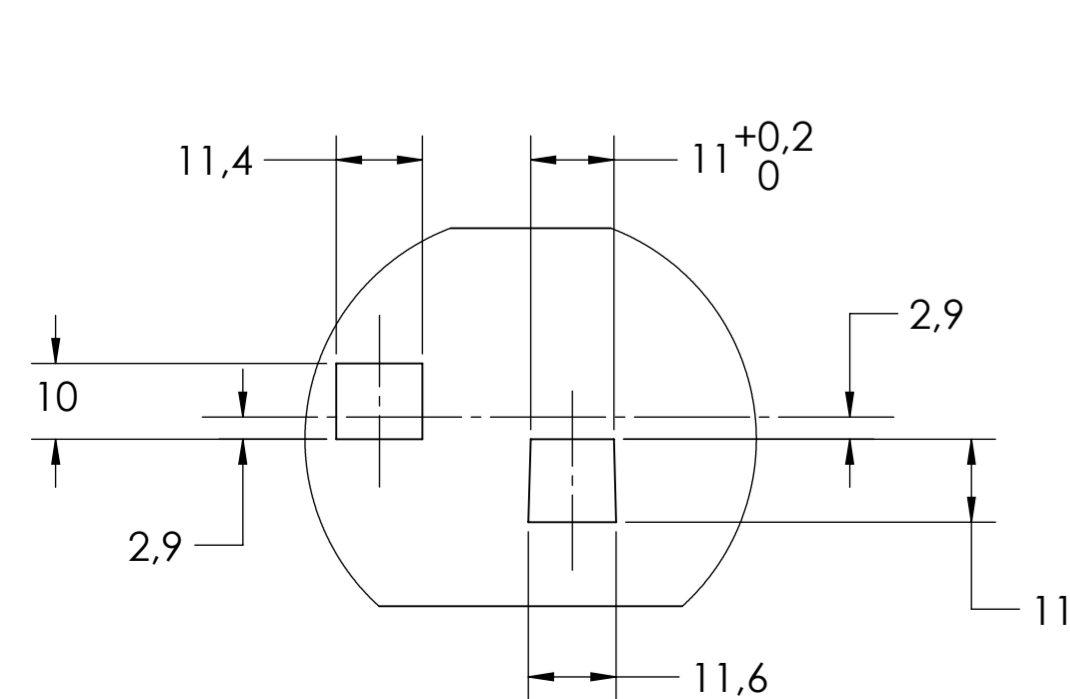
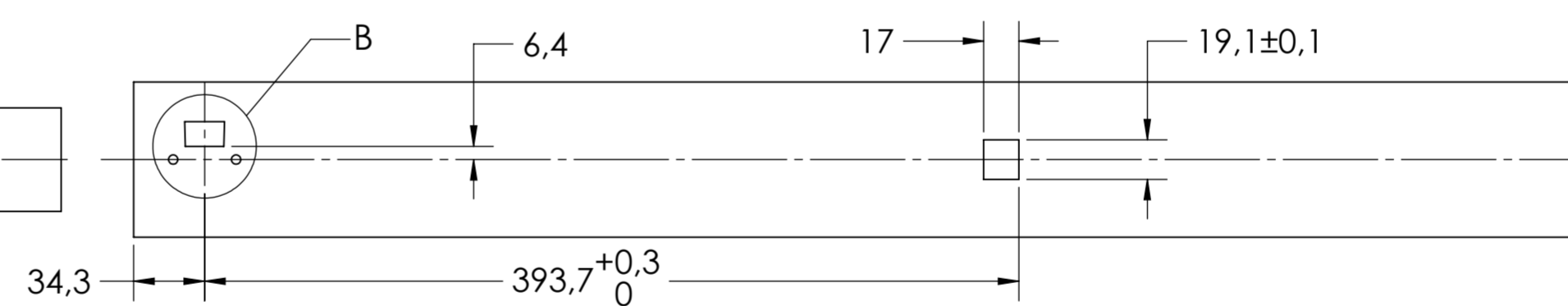
SCALE 1:1



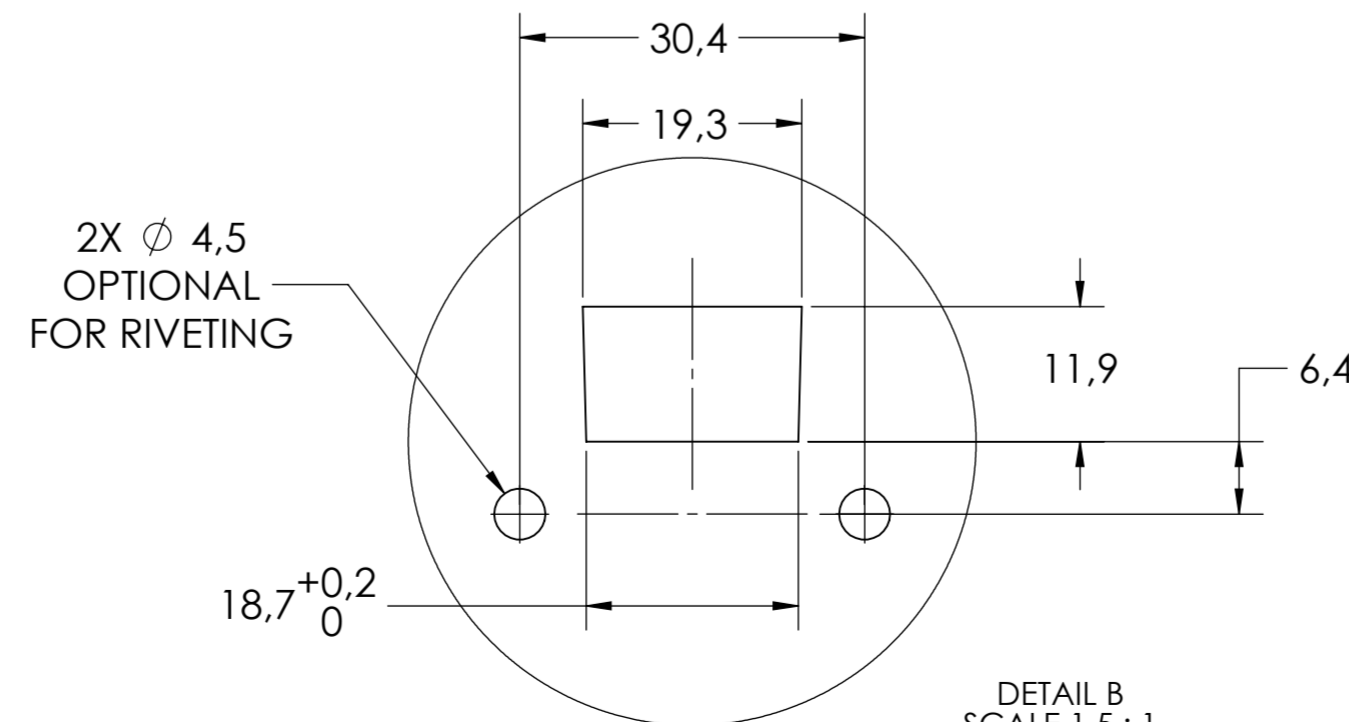
DRAWER MOUNTING CUTOUTS



CABINET MOUNTING CUTOUTS



DETAIL A
SCALE 1:1



DETAIL B
SCALE 1.5:1

| | | | |
|--|--|--|---|
| general tolerances | | DIN ISO 128-30 missing dimensions see 3D = theor. intersection | |
| ISO 2768-m | | | |
| This drawing remains our property and may not be multiplied neither be disclosed to third parties (§§1,3 and 5 from the copyright Act (UrhG)) covered according to DIN ISO 16016 | | | |
| (k) | scale: | 1:3 | surface: |
| (l) | date | 21-05-2019 | name |
| (m) | drawn | HB | |
| (n) | proven | 00-00-0000 | 00 |
| (o) | Fulterer | | material, semi finished parts: |
| (p) | | | STEEL |
| (q) | Fulterer AG & Co KG A-6890 Lustenau / Austria | | (technical requirements Fulterer) |
| (r) | | | description: |
| (s) | Fulterer AG CH-9430 St. Margrethen | | SIDE MOUNT OVER EXTENSION SMT (1.5) DRAWER SLIDE WITH DRAWER DISCONNECT |
| (t) | | | drawing number: |
| (u) | 00-00-0000 0 na. | | 5000.700-GA.T103 |
| (v) | | | replaces version date: |
| (w) | changes | date | na. |