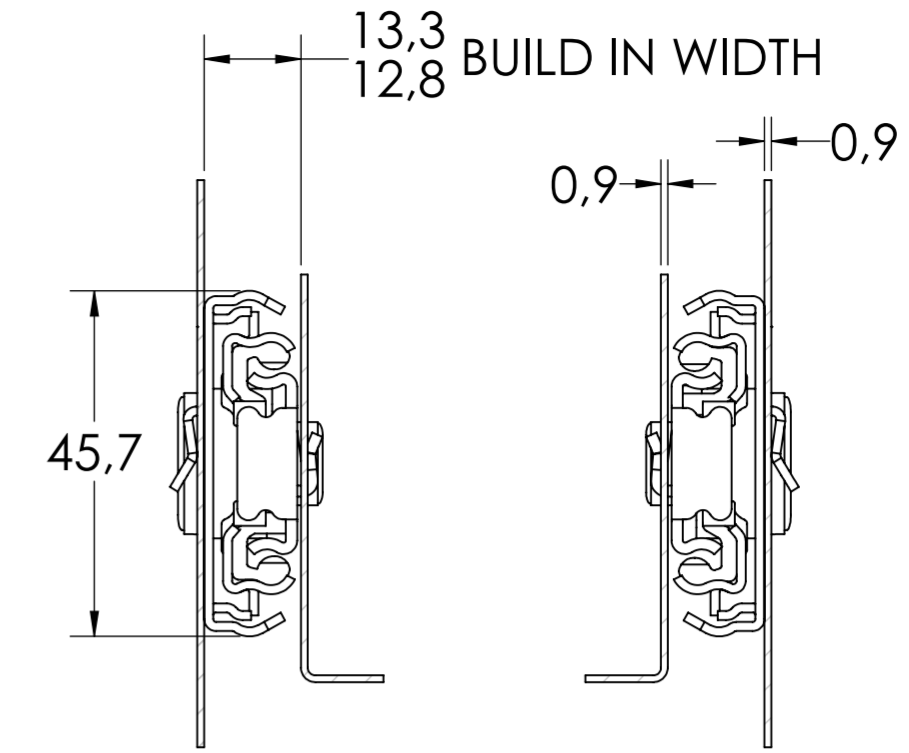
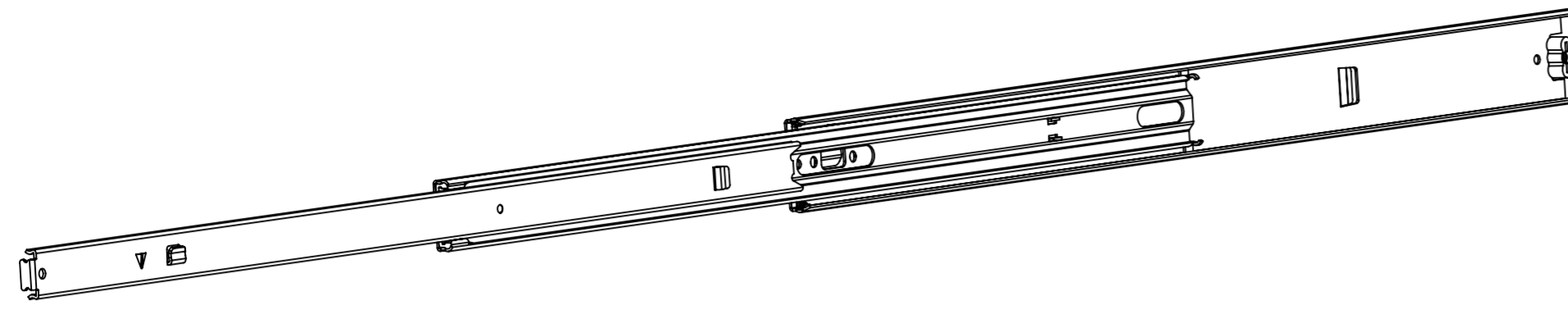
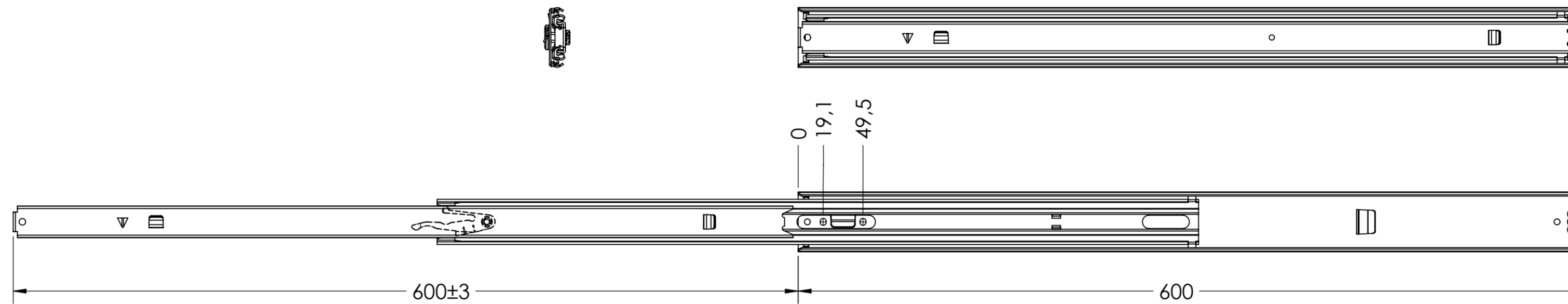


5000.600-GA.T100

X

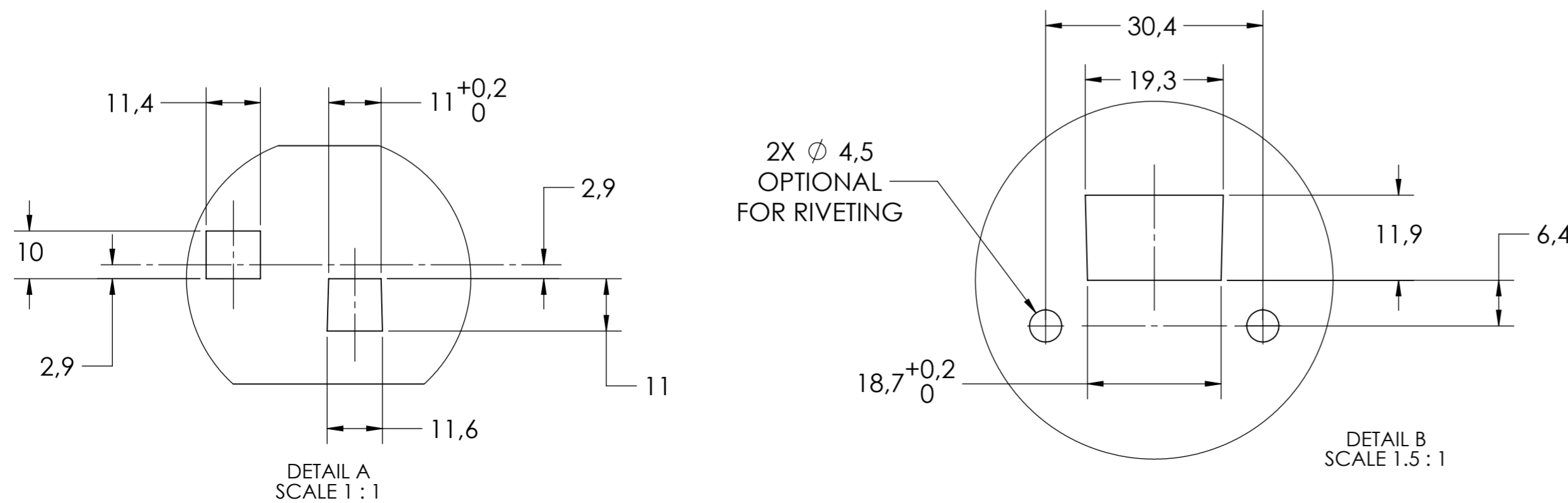
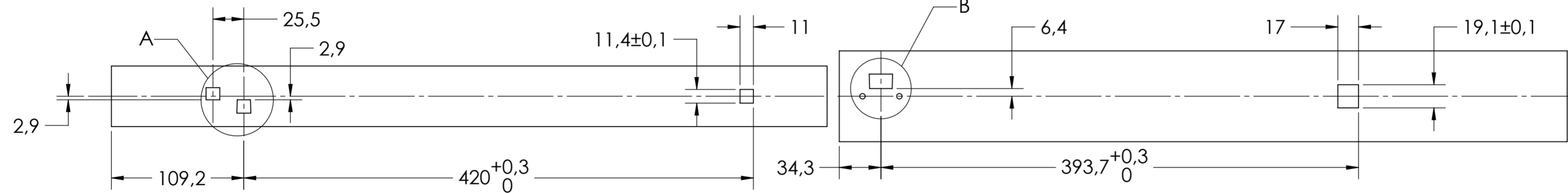


SCALE 1:1



DRAWER MOUNTING CUTOUTS

CABINET MOUNTING CUTOUTS



general tolerances		DIN ISO 128-30 missing dimensions see 3D = theor. intersection	
ISO 2768-m			
This drawing remains our property and may not be multiplied neither be disclosed to third parties (§§1,3 and 5 from the copyright Act (UrhG)) covered according to DIN ISO 16016			
(k)	scale:	1:3	surface:
(l)	date	21-05-2019	name
(m)	drawn	HB	
(n)	proven	00-00-0000	00
(o)	Fulterer		material, semi finished parts:
(p)	Fulterer AG & Co KG		STEEL
(q)	A-6890 Lustenau / Austria		(technical requirements Fulterer)
(r)	Fulterer AG		description:
(s)	CH-9430 St. Margrethen		SIDE MOUNT FULL EXTENSION SMT (0.9) DRAWER SLIDE WITH DRAWER DISCONNECT
(t)	drawing number:		
(u)	00-00-0000		5000.600-GA.T100
(v)	0		replaces version date:
(w)	na.		
(x)	changes	date	na.