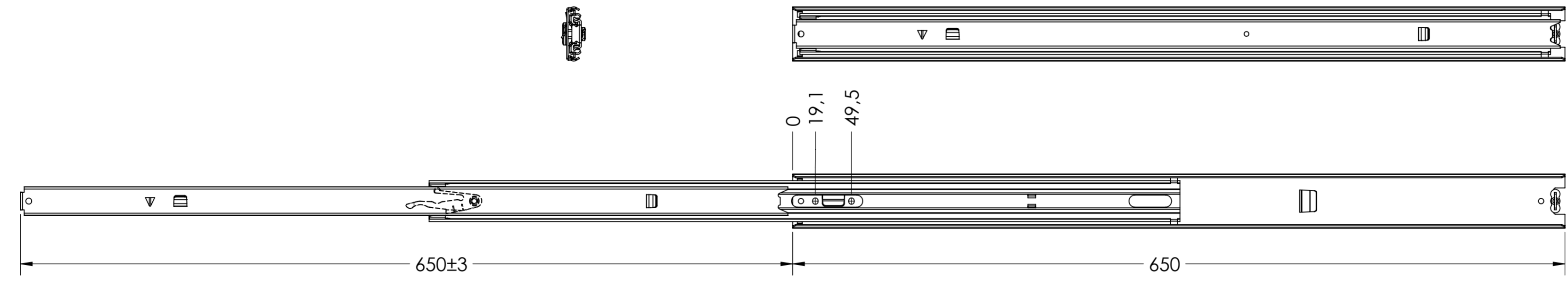
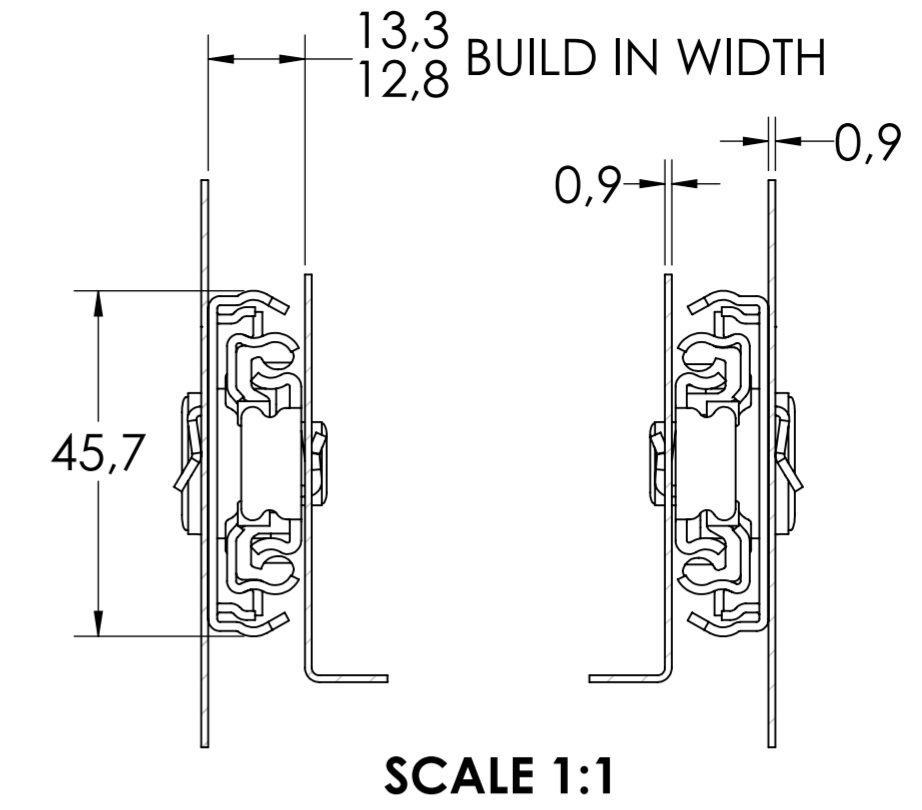
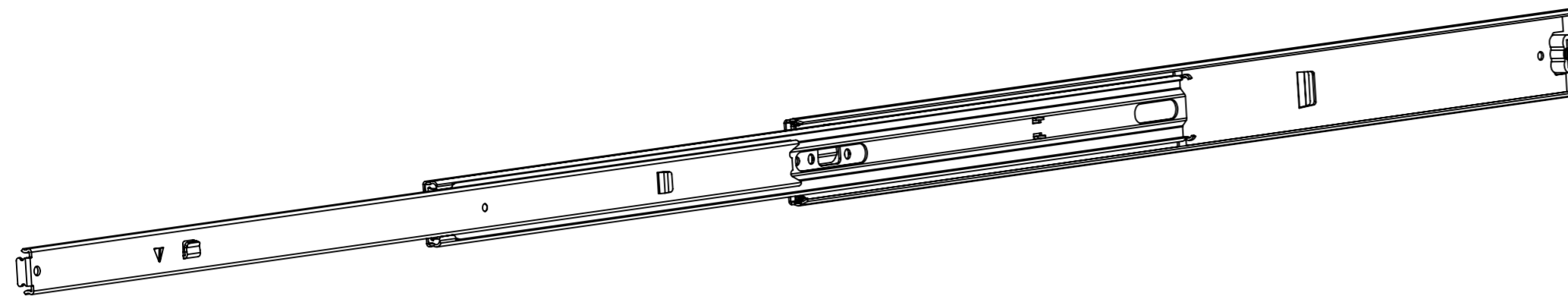


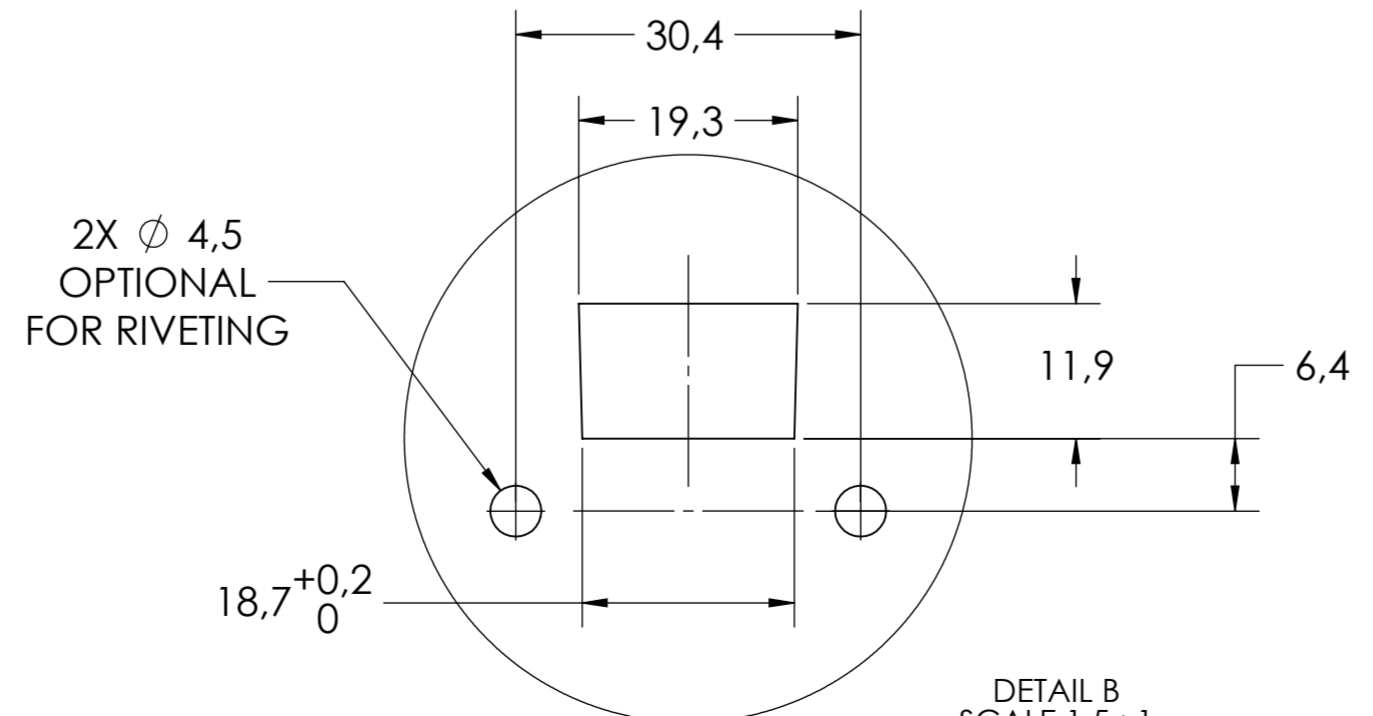
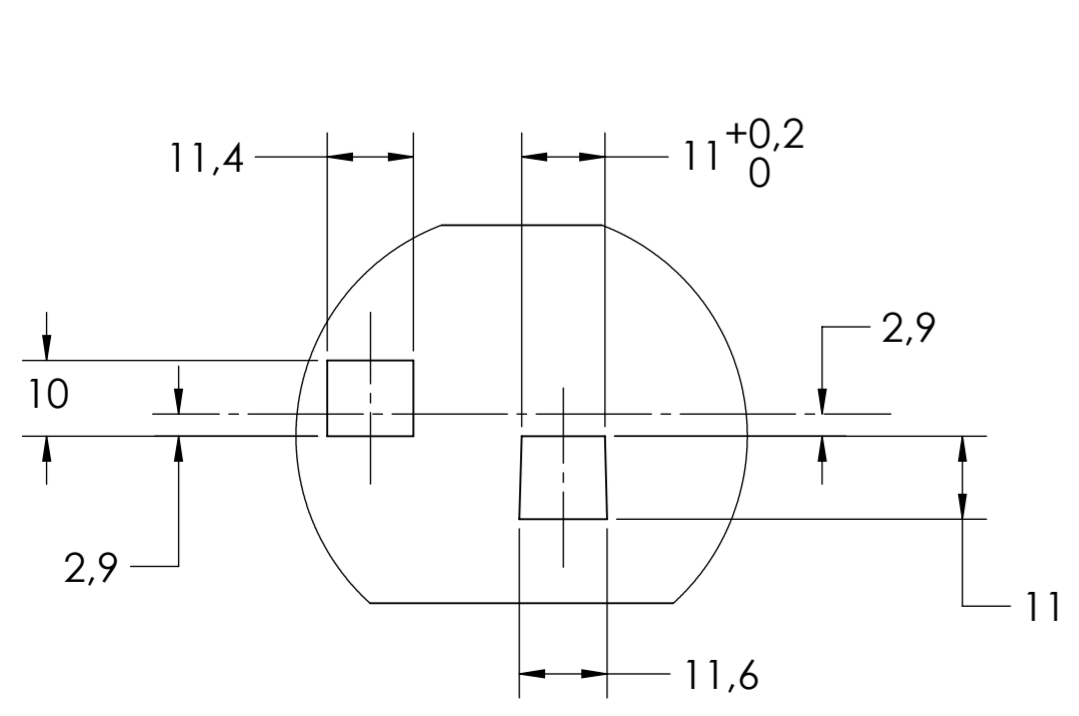
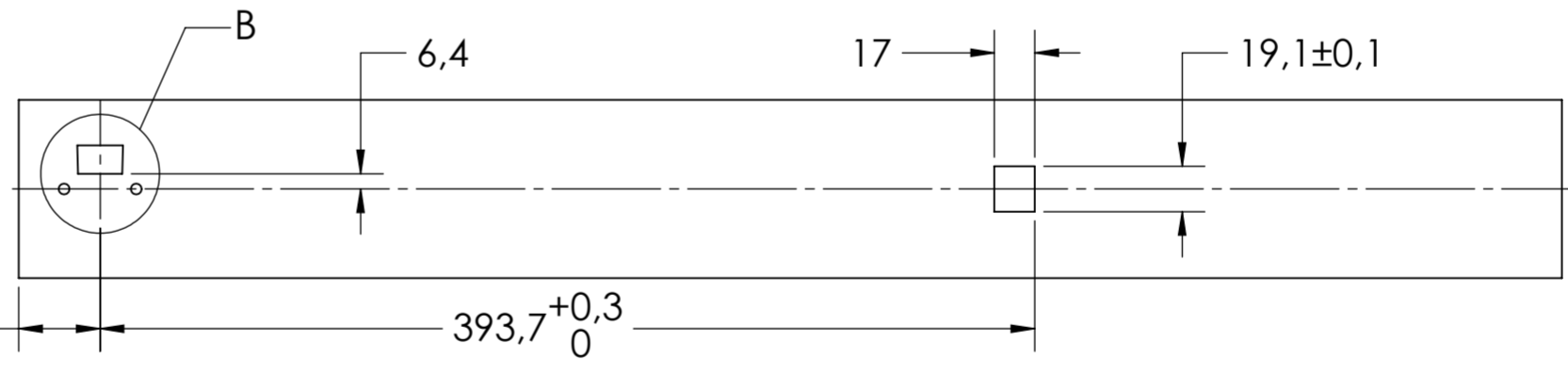
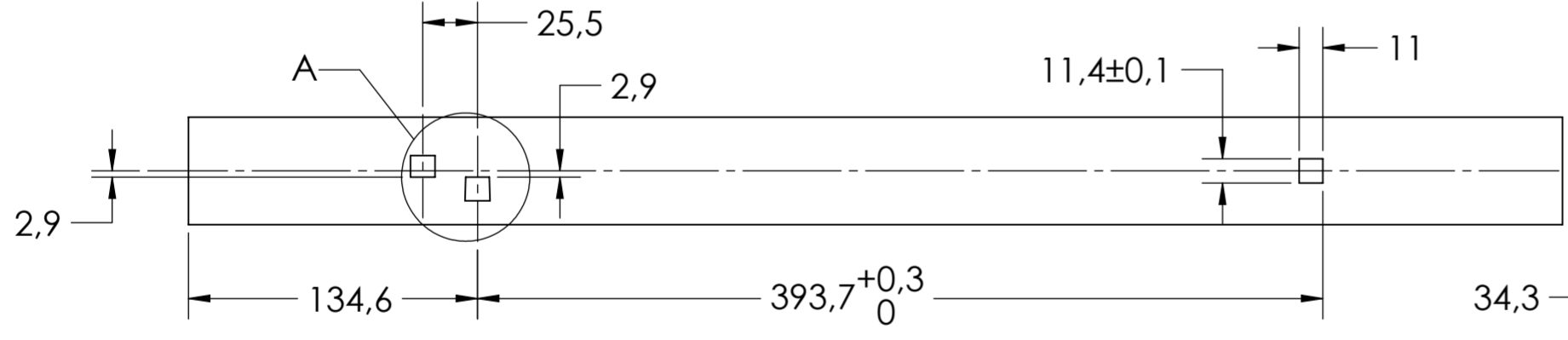
5000.650-GA.T100

X



DRAWER MOUNTING CUTOUTS

CABINET MOUNTING CUTOUTS



DETAIL A
SCALE 1:1

DETAIL B
SCALE 1.5:1

general tolerances		DIN ISO 128-30 missing dimensions see 3D = theor. intersection	
ISO 2768-m			
This drawing remains our property and may not be multiplied neither be disclosed to third parties (§§1,3 and 5 from the copyright Act (UrhG)) covered according to DIN ISO 16016			
(k)	scale:	1:3	surface:
(l)	date	21-05-2019	name
(m)	drawn	HB	
(n)	proven	00-00-0000	00
(o)	Fulterer		material, semi finished parts:
(p)	Fulterer AG & Co KG		STEEL
(q)	A-6890 Lustenau / Austria		(technical requirements Fulterer)
(r)	Fulterer AG		description:
(s)	CH-9430 St. Margrethen		SIDE MOUNT FULL EXTENSION SMT (0.9) DRAWER SLIDE WITH DRAWER DISCONNECT
(t)	drawing number:		
(u)	5000.650-GA.T100		
(v)	replaces version date:		
(w)	changes	date	na.
(x)	0	00-00-0000	0
(y)	ind.		