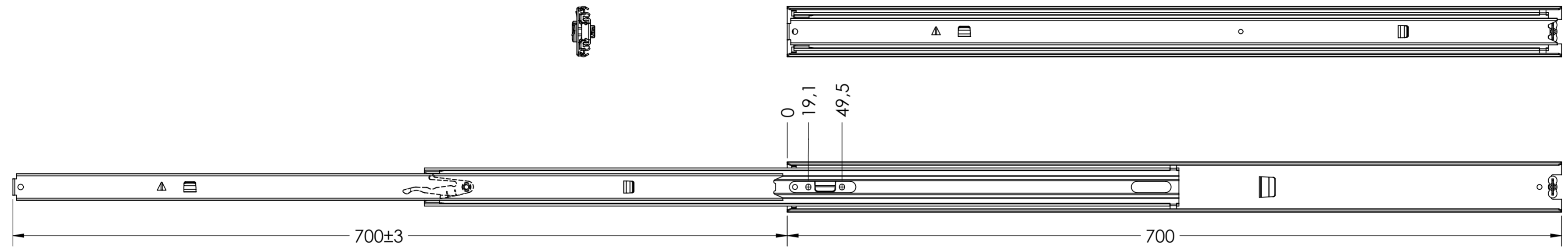
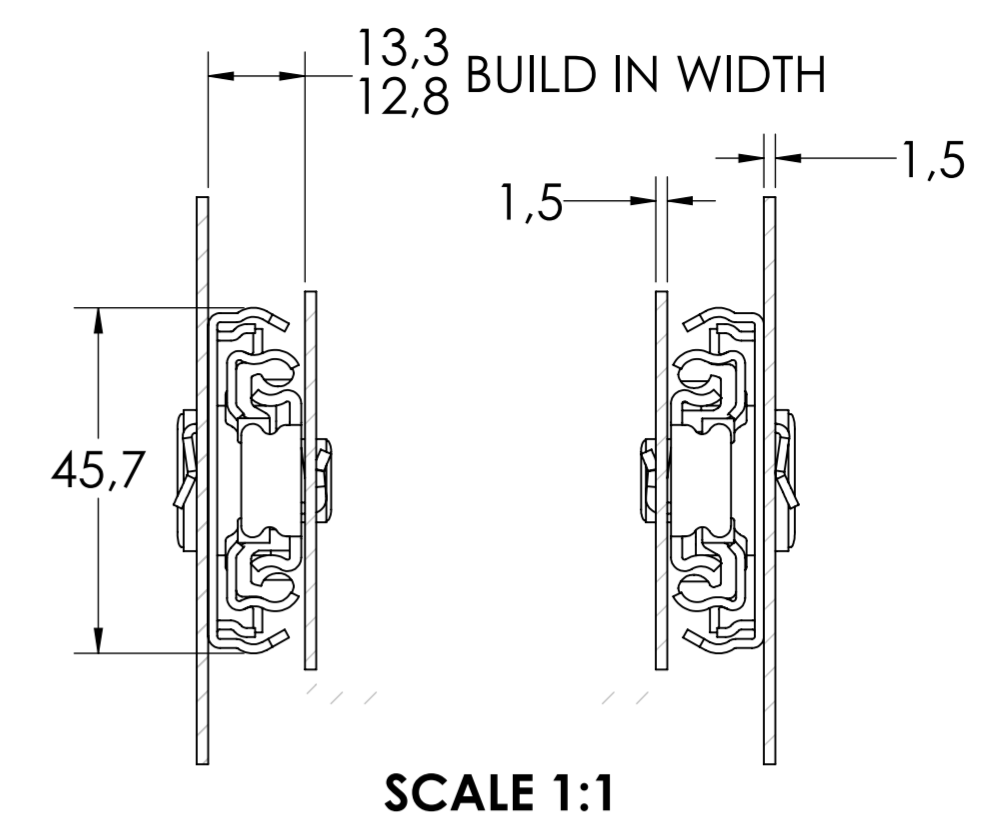
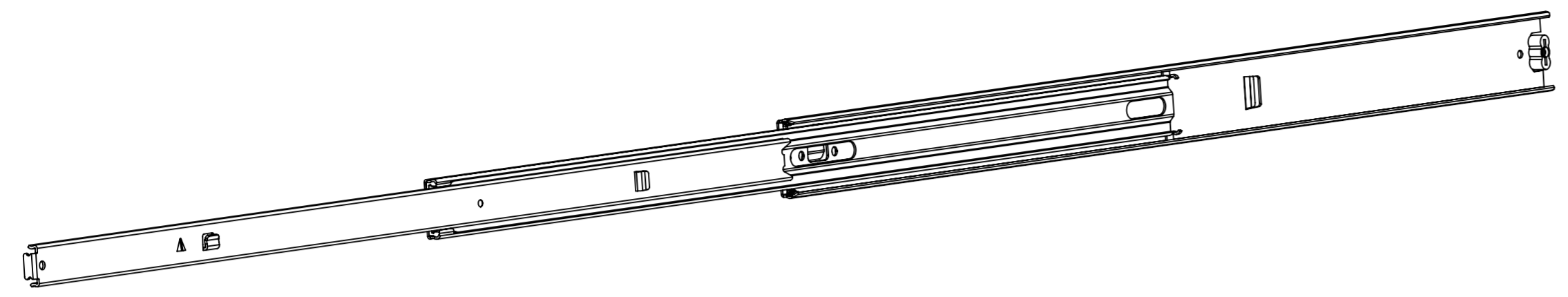
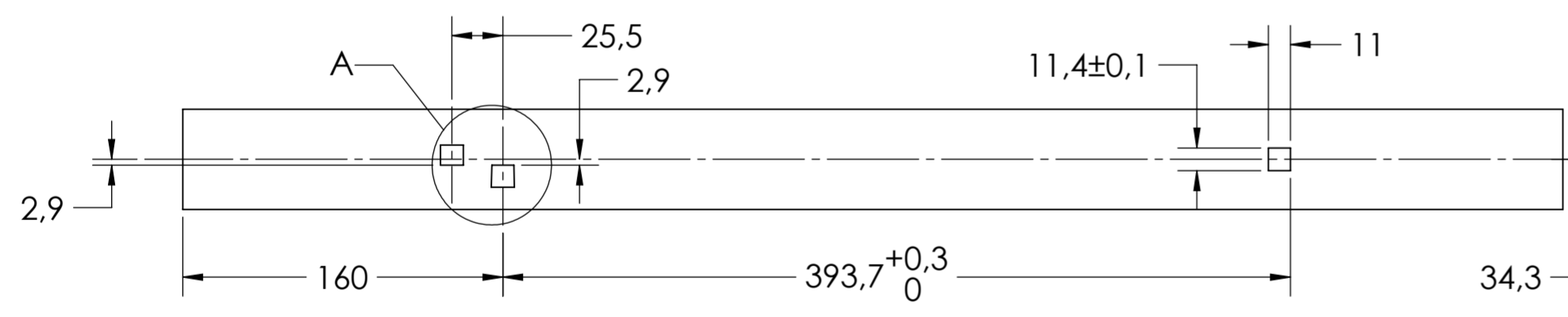


5000.700-GA.T101

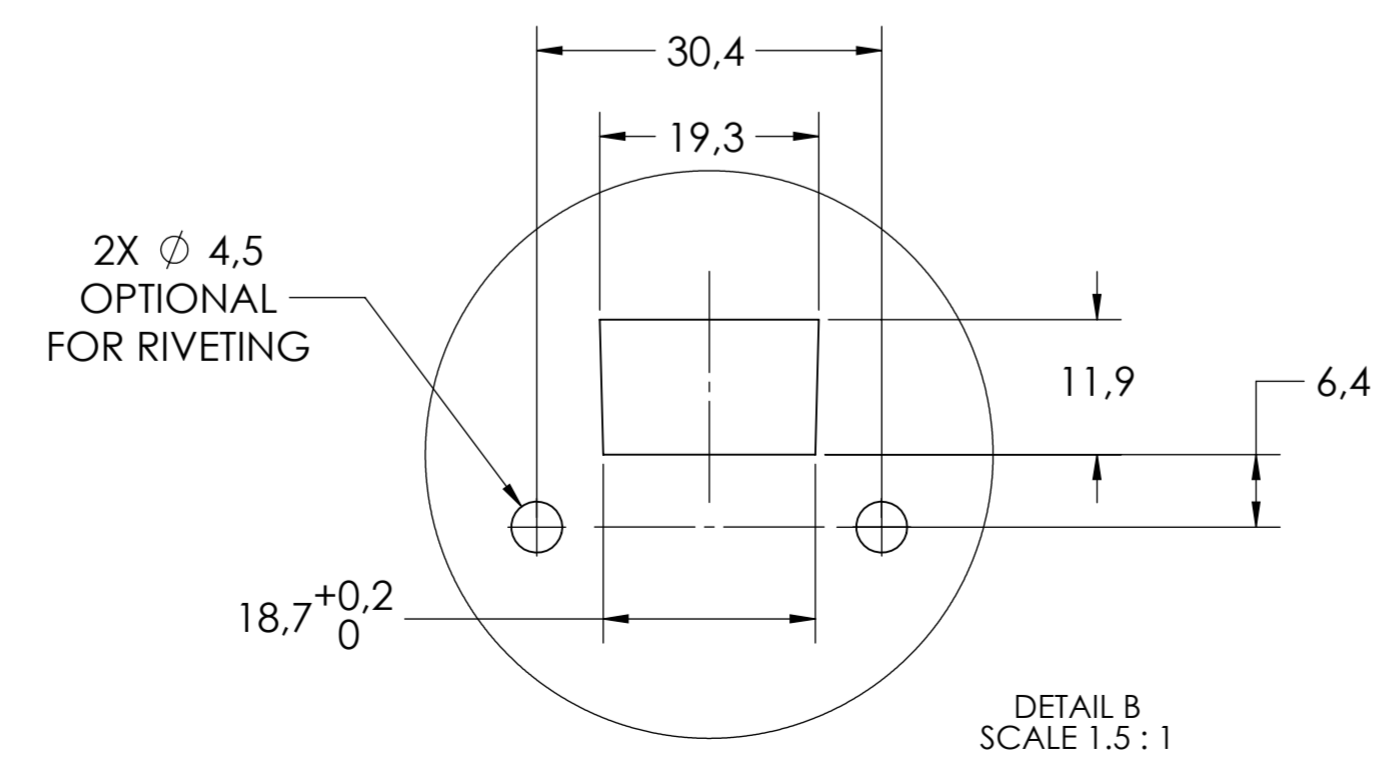
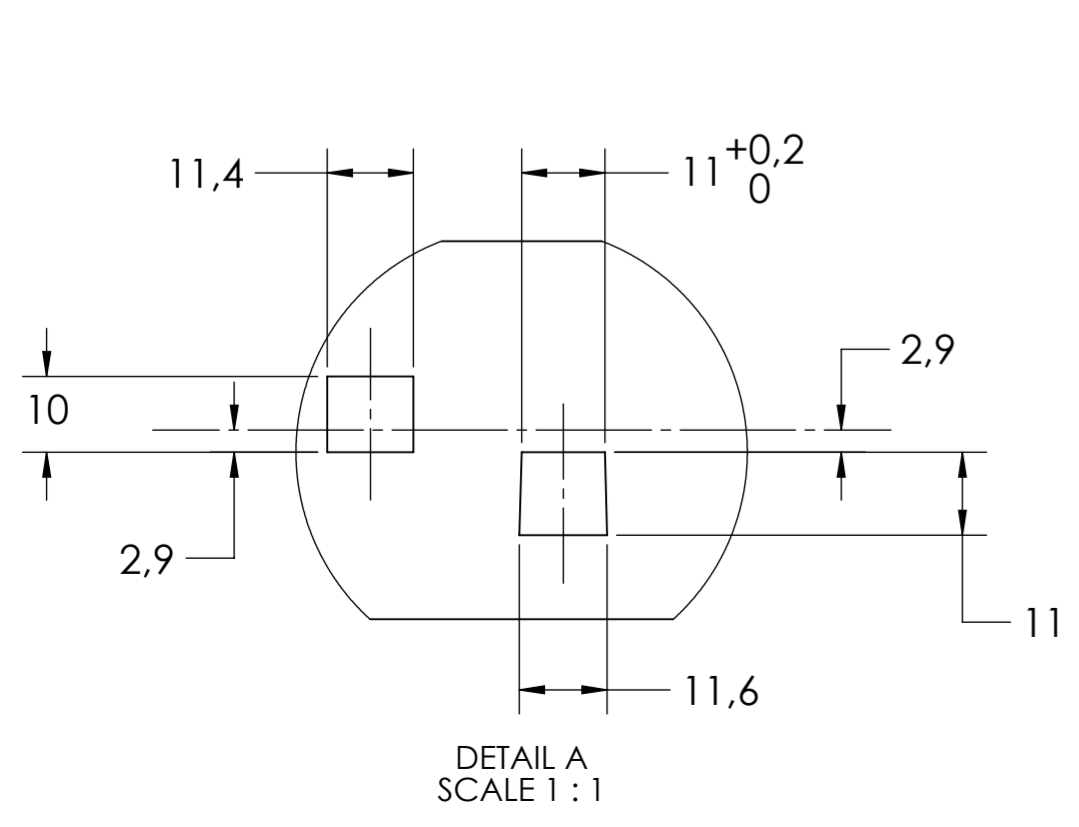
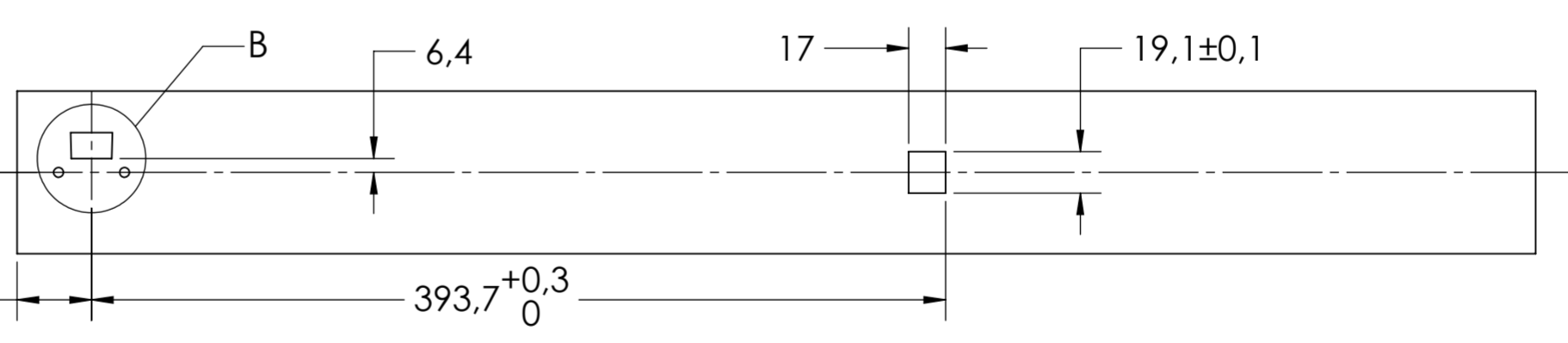
X



DRAWER MOUNTING CUTOUTS



CABINET MOUNTING CUTOUTS



general tolerances		DIN ISO 128-30 missing dimensions see 3D = theor. intersection	
ISO 2768-m			
This drawing remains our property and may not be multiplied neither be disclosed to third parties (§§1,3 and 5 from the copyright Act (UrhG)) covered according to DIN ISO 16016			
scale: 1:3		surface: A2	
date: 04-03-2019		name: HB	
proven: 00-00-0000		00	
description:		material, semi finished parts: STEEL (technical requirements Fulterer)	
description: SIDE MOUNT FULL EXTENSION SMT (1.5) DRAWER SLIDE WITH DRAWER DISCONNECT		drawing number: 5000.700-GA.T101	
drawing number: 5000.700-GA.T101		replaces version date:	
Fulterer AG & Co KG A-6890 Lustenau / Austria		Fulterer AG CH-9430 St. Margrethen	
ind. changes		date na.	