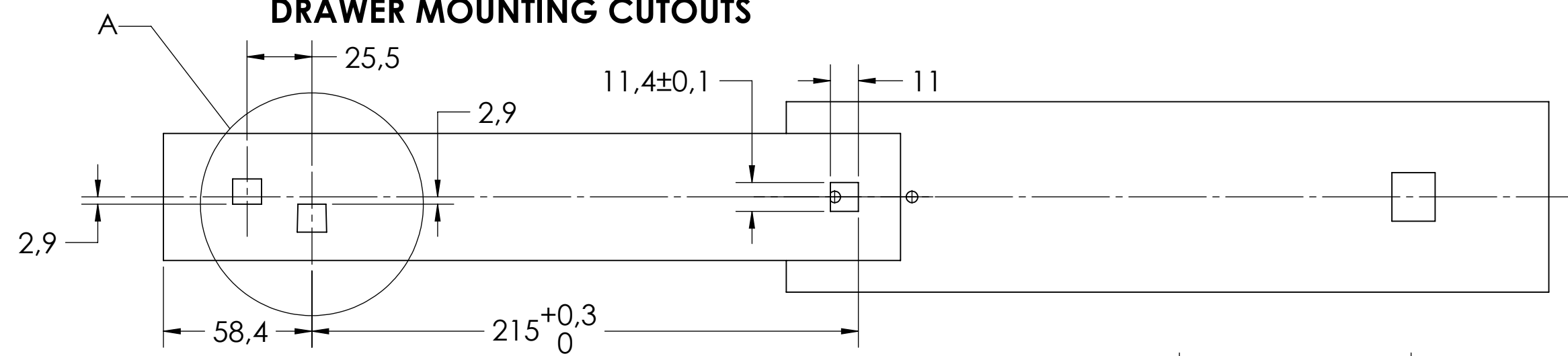
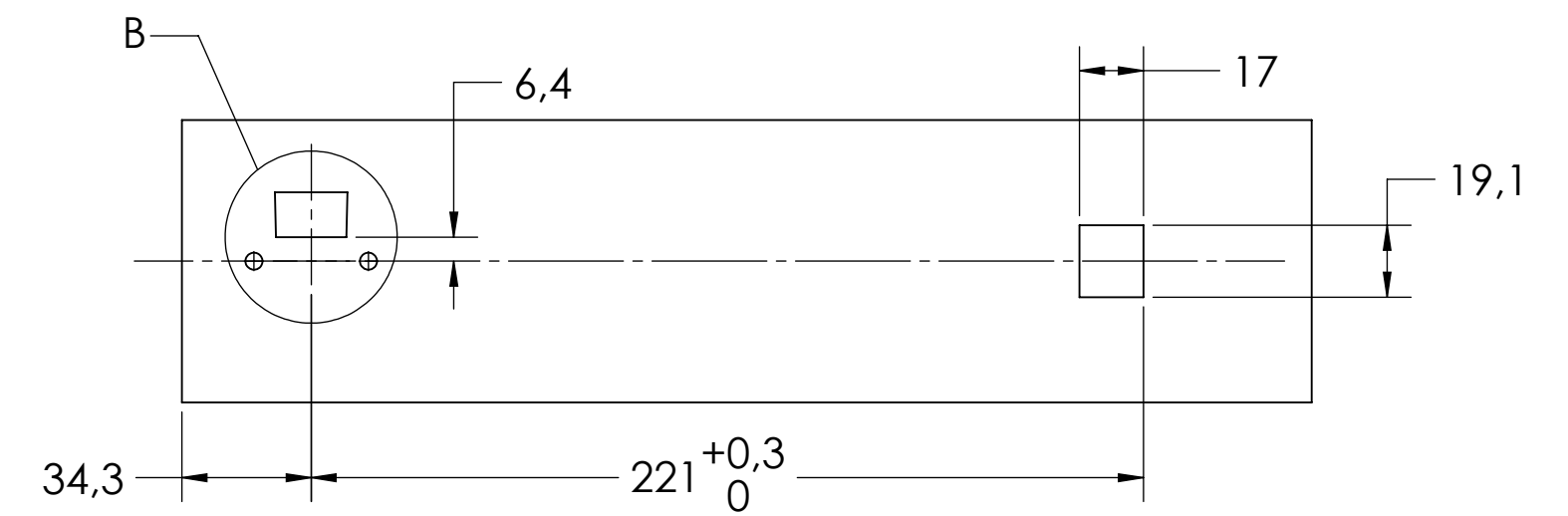


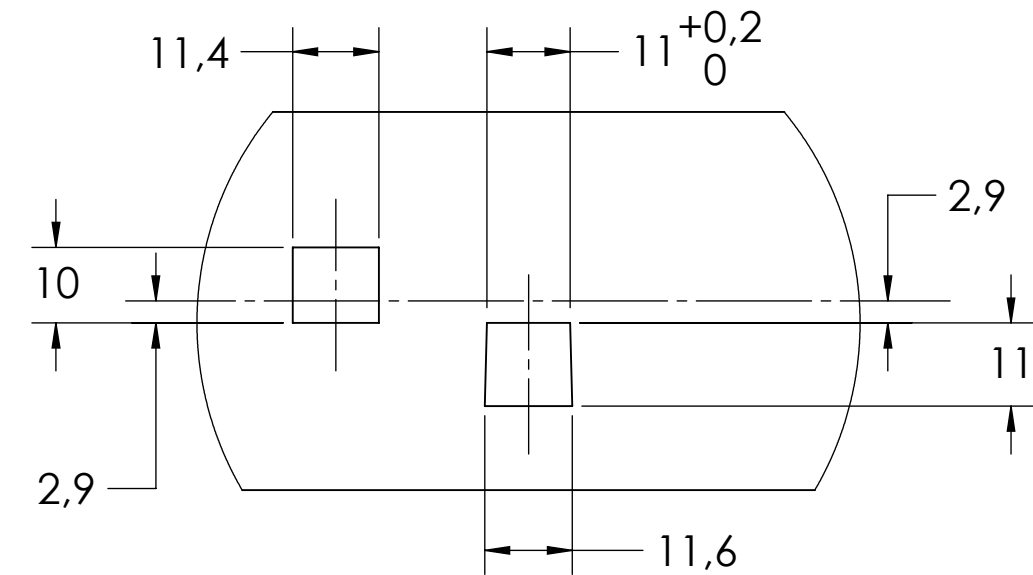
DRAWER MOUNTING CUTOUTS



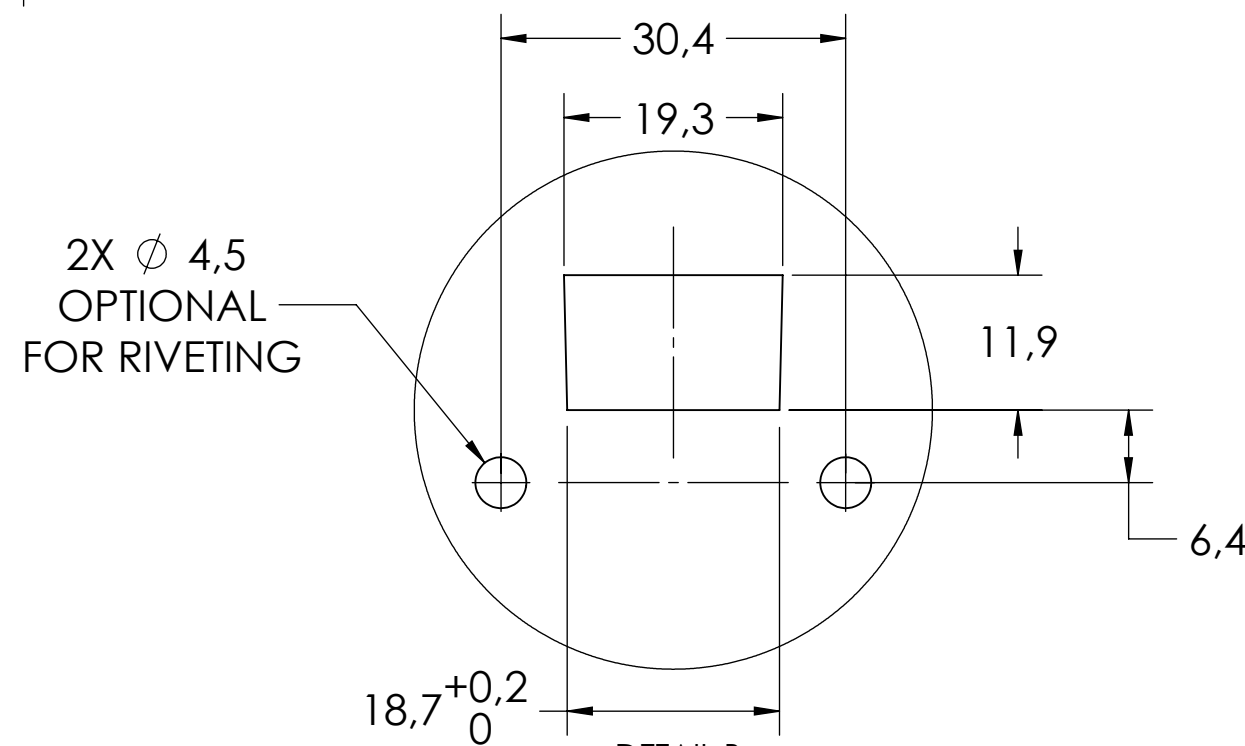
CABINET MOUNTING CUTOUTS



ECD SPRING FORCE 16N ± 2N PER SLIDE



DETAIL A
SCALE 1:1



DETAIL B
SCALE 1.5:1

general tolerances		DIN ISO 128-30 missing dimensions see 3D = theor. intersection	
ISO 2768-m			
This drawing remains our property and may not be multiplied neither be disclosed to third parties (§§1,3 and 5 from the copyright Act (UrhG)) covered according to DIN ISO 16016			
scale:		surface:	
1:2		A2	
date		name	
drawn 20-02-2019		HB	
proven 00-00-0000		00	
material, semi finished parts:		STEEL (technical requirements Fulterer)	
description:		SIDE MOUNT FULL EXTENSION DRAWER SLIDE SMT SOFT CLOSE WITH DRAWER DISCONNECT	
drawing number:		5001.300-GA.T105	
replaces version date:			
ind.	changes	date	na.
0		00-00-0000	0