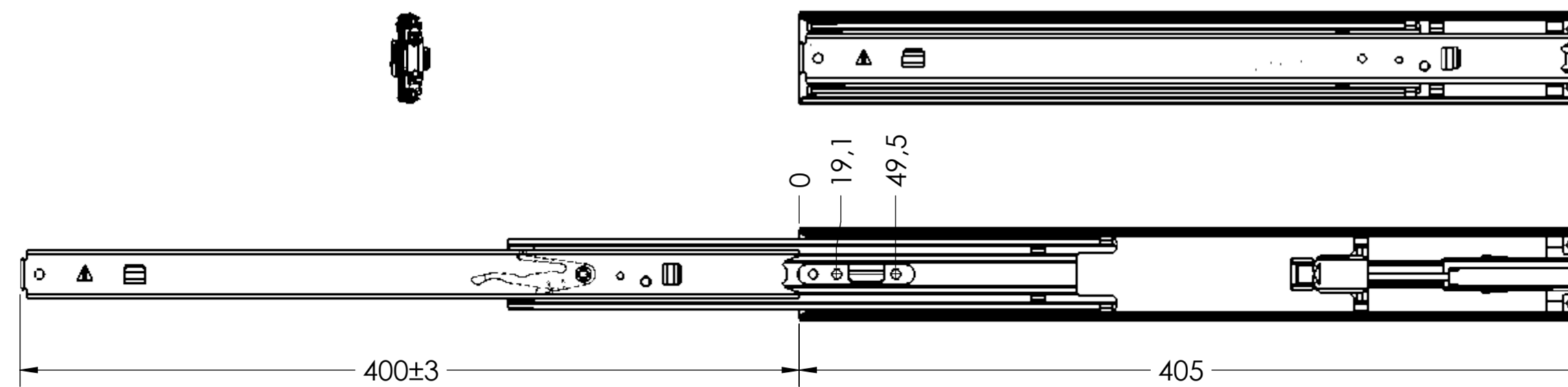
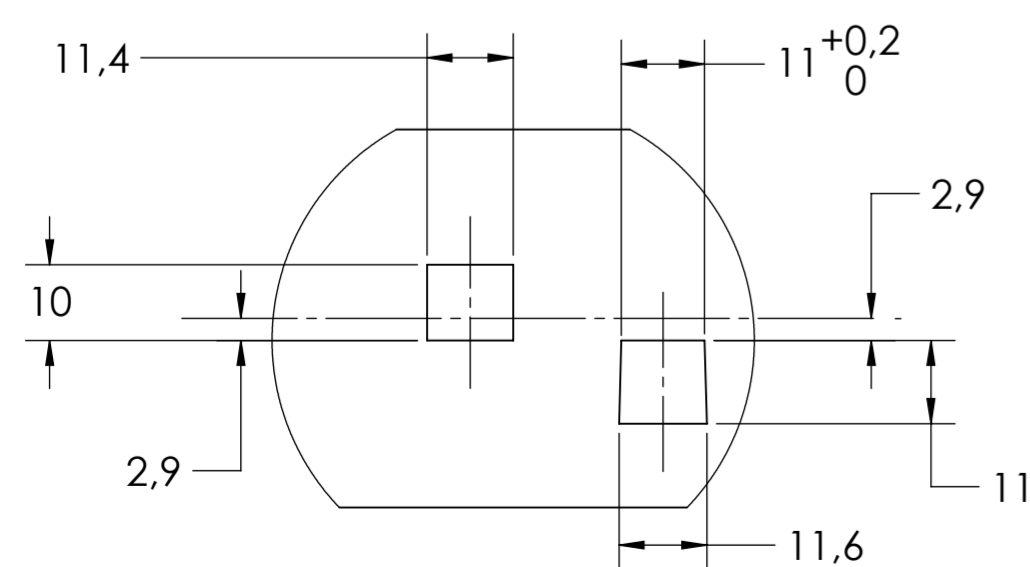
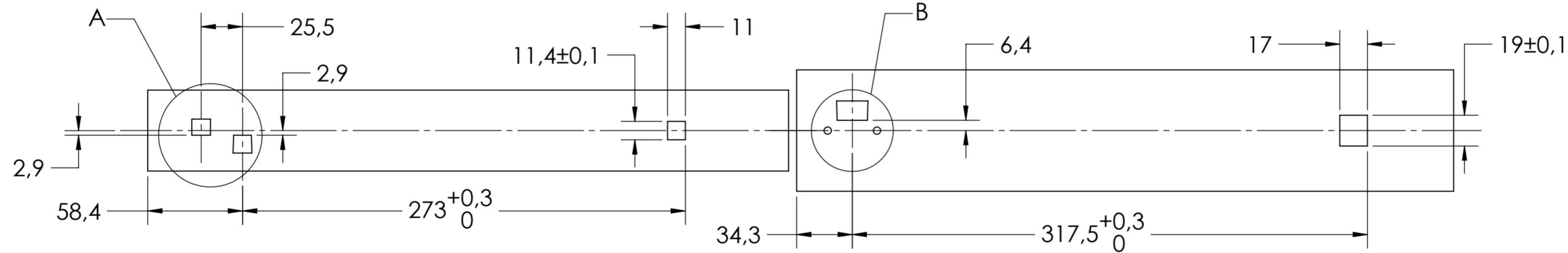


SCALE 1:1

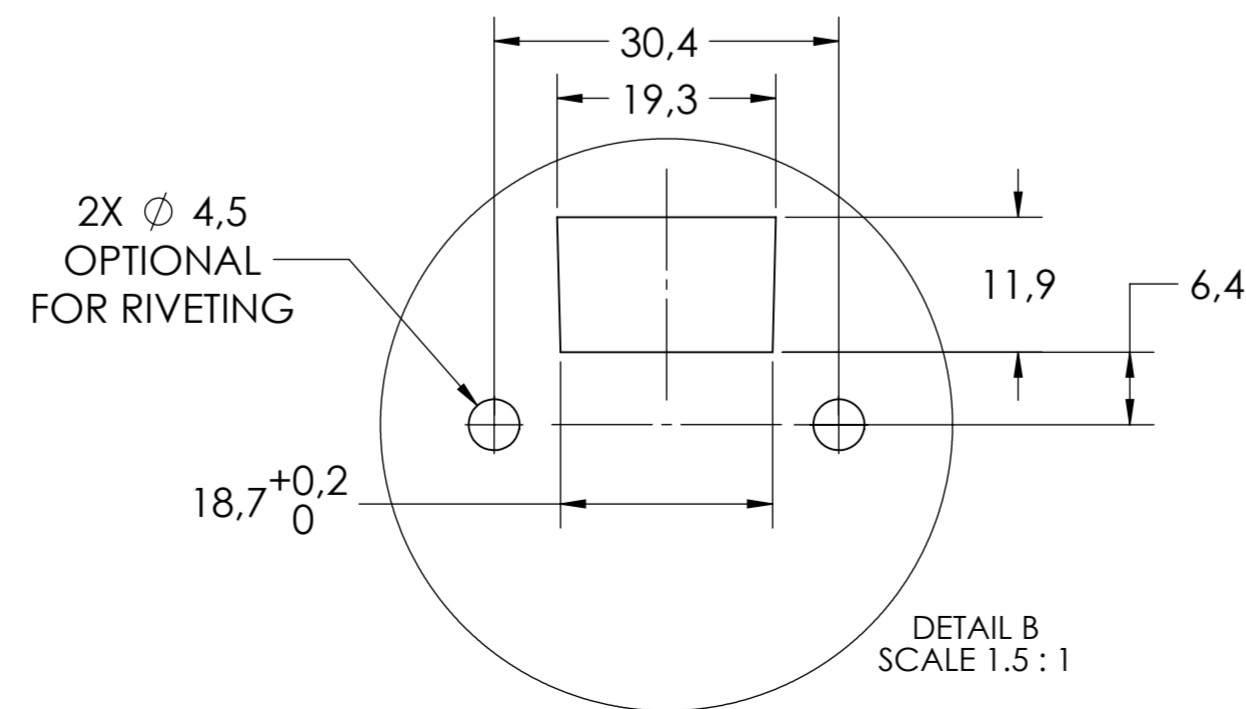


### DRAWER MOUNTING CUTOUTS

### CABINET MOUNTING CUTOUTS



DETAIL A  
SCALE 1:1



DETAIL B  
SCALE 1.5:1

**ECD SPRING FORCE: 16N ± 2N PER SLIDE**

general tolerances		DIN ISO 128-30 missing dimensions see 3D = theor. intersection	
ISO 2768-m			
This drawing remains our property and may not be multiplied neither be disclosed to third parties (§§1,3 and 5 from the copyright Act (UrhG)) covered according to DIN ISO 16016			
(k)	scale:	3:8	surface:
(l)	date	15-02-2019	name
(m)	drawn	HB	
(n)	proven	00-00-0000	00
(o)	<b>Fulterer</b>		material, semi finished parts:
(p)			STEEL
(q)			(technical requirements Fulterer)
(r)			description:
(s)			SIDE MOUNT FULL EXTENSION
(t)			SMT (0.9) SOFT CLOSE DRAWER
(u)			SLIDE WITH DISCONNECT
(v)			drawing number:
(w)			<b>5001.405-GA.T104</b>
(x)			replaces version date:
(y)	changes	date	na.
(z)	00-00-0000	0	